

Z1	2012-06-26	YK	EP	<i>[Signature]</i>	MOD. 00042C-1/2; DDR 1248/11	ESKOM
2	1982-06-21				SENT TO ESCOM	BPE
REV	DATE	DR. By	CH. By	APPR. By	MODIFICATIONS	STATUS


DOCNO.: 70153

MM308VOL.1


SCALE:	SUPPLIER	ALSTHOM ATLANTIQUE CGEE ALSTHOM	SUPPLIER No.:	212041/100
SIZE:			P.O. No.:	P12-4108-10-1548
A4				

**NORMABLOC N486 \_ SWITCHBOARDS 220 V ALTER. CURRENT  
IDENTIFICATION FILE**

**KOEBERG NUCLEAR POWER STATION**

	<b>FRAMATOME – ALSTHOM ATLANTIQUE SPIE BATIGNOLLES – FRAMATEG</b>
	Contract No. OPN 11229

CONTRACTOR MEMBER	ALSTHOM ATLANTIQUE CGEE ALSTHOM	CONTRACTOR MEMBER DWG. No.	P 4108 A4 3061
-------------------	------------------------------------	-------------------------------	----------------

DWG. No.	K	B	A	1	2	1	7	L	O	O	0	5	2		A	0	2	9	L	S	R	1	108
REV.	2	Z1																					



- Component Designation	220 V A.C. distribution boards	Maintenance File Number  308 1/3 2
- Identification Number	LN (E-F-G-H) and LMA.	
- Supplier Name	DELLE ALSTHOM	
- Supplier Code	A 029	

CONTENT	DOCUMENT N°	PAGE
1 - DESCRIPTION 1.1. GENERAL DATA 1.2. DETAILED DESCRIPTION 1.2.1. MAIN COMPONENTS 1.2.2. ASSOCIATED COMPONENTS 1.3. INSTALLATION REQUIREMENTS		chapters 0 and 1  chapters 2 and 3 chapter 4  -
2 - OPERATING INSTRUCTIONS 2.1. NORMAL OPERATION 2.2. TROUBLE SHOOTING		chapter 7  -
3 - MAINTENANCE 3.1. LIST OF PARTS SUBJECT TO WEAR IN (spare parts) ORDINARY OPERATION 3.2. SPECIAL TOOLS 3.3. HANDLING DEVICES 3.4. STORAGE REQUIREMENTS 3.5. MAINTENANCE INSTRUCTIONS 3.5.1. PREVENTIVE MAINTENANCE 3.5.2. CORRECTIVE MAINTENANCE 3.5.3. SPECIAL CARE OF SHUTDOWN EQUIPMENT		chapter 6  - - -  sheet 7/14 - 1
4 - DRAWINGS - Refer to chapter 5 which list the references of standard and wiring diagrams and general arrangement drawings of the switchboards.  - The 220 V A.C. standard diagrams are also listed in document KBA 12 17 0 00 094 (see volume 1 - section 4 of this manual).		

MODIFICATION LIST

Rev	Date	Sheet	Purpose and Origin
A	1979-07		ORIGINAL ISSUE
B	1980-12-23	ALL	GENERAL REVIEW
C	1982-06-21	ALL	ADDED CGEE AT Nb P4108.A4.3061
		CHAPTER 4	ADDED SHEETS 4/12.2, 4/13.2, 4/29.1, 4/30.1, 4/31.1, 4/32.1
		CHAPTER 5	ADDED SHEETS 5/10.1 and 5/11.1
Z1	2012-06-26	CHAPTER 0	MOD. 00042C-1/2; DDR 1248/11
		CHAPTER 2	ADDED SHEETS: 2/15-3, 2/15-4, 2/15-5
		CHAPTER 3	ADDED SHEETS: 3/12-1, 3/12-2, 3/12-3
		CHAPTER 4	ADDED SHEET: 4/24-2
		CHAPTER 6	ADDED SHEET: 6/10-3
			P4108.A4.3061

This document is the sole property of "DELLE ASLSTHOM". It is submitted on a confidential basis and may not be passed on the third parties, used or reproduced except in exact accordance with prior express permission.

Z1	YK	2012-06-26	MOD. 00042C; DDR 1248/11	CONTRACTOR MEMBER		ALSTHOM NUMBER 212041/100						
C		1982-06-21	UPDATED	CONTRACTOR MEMBER DWG No.		KBA.12.17.L.OO.052						
REV	DR. by	DATE	MODIFICATIONS									


DWG No.	<b>KBA</b>	1	2	1	7	L	O	O	0	5	2	A	0	2	9	L	S	R	2/108
---------	------------	---	---	---	---	---	---	---	---	---	---	---	---	---	---	---	---	---	-------

MODIFICATION LIST AND INDEX

Folios		DESIGNATION	MODIFICATIONS (folios)											
			C	Z1										
0	0	SWITCHBOARD 220 V A.C. (Front View)	X											
0	00	General Information	X											
0	10.1	General Information	X											
0	11.1	Definition Of The Equipment	X	X										
0	12.1	Equipment Characteristics	X	X										
0	12.2	Insertion Guide Principle On Equipment – Type K1 To K7	X											
0	13.1	Inside Arrangement	X											
0	14.1	Overall Dimensions Of Cubicles	X											
0	15.1	Layout Of "HALFEN" Sections	X											
1		General Characteristics	X											
1	10.1	General Characteristics	X											
1	10.2	General Characteristics	X											
2		Components Of The Cubicles	X											
2	10.1	Cable Connection	X											
2	10.2	Cable Connection	X											
2	10.3	Cable Connection	X											
2	11.1	Framing N 486	X											
2	11.2	Framing N 486	X											
2	11.3	Framing N 486	X											
2	12.1	Horizontal Busbars	X											
2	13.1	Vertical Busbars	X											
2	13.2	Vertical Busbars	X											
2	14.1	Cubicle Aeration N 486	X											
2	15.1	Equipment K1 To K7	X											
2	15.2	Equipment K1 To K7	X											
2	15.3	MG NS 100-160N – Side View	X	X										
2	15.4	MG NS 100-160N – Cut-Out	X	X										
2	15.5	MG NS 100-160N – Front View	X	X										

P4108.A4.3061

This document is the sole property of "DELLE ASLSTHOM". It is submitted on a confidential basis and may not be passed on the third parties, used or reproduced except in exact accordance with prior express permission.


				CONTRACTOR MEMBER	<b>ALSTHOM</b> NUMBER 212041/100									
Z1	YK	2012-06-26	MOD. 00042C; DDR 1248/11	CONTRACTOR MEMBER DWG No.	KBA.12.17.L.OO.052									
C		1982-06-21	UPDATED											
REV	DR. by	DATE	MODIFICATIONS											
<b>DWG No.</b>		<b>KBA</b>	<b>1 2 1 7 L O O 0 5 2</b>		<b>A 0 2 9 L S R</b>						<b>3/108</b>			

MODIFICATION LIST AND INDEX

Folios		DESIGNATION	MODIFICATIONS (folios)										
			C	Z1									
2	16.1	Ground Feeder	X										
2	17.1	Relay Mount (1 Inverter Input)	X										
2	17.2	Relay Mount (1 Inverter Input)	X										
2	17.3	Relay Mount (3 Inverter Inputs)	X										
2	17.4	Relay Mount (3 Inverter Inputs)	X										
2	17.5	Transformer Incoming Mount	X										
2	17.6	Rectifier 500 V a Mount	X										
2	17.7	Rectifier 1000 V a Mount	X										
2	18.1	Busbars Ground Connection	X										
2	18.2	Busbars Ground Connection	X										
2	18.3	Busbars Ground Connection	X										
2	19.1	Marks For Circuit Breakers Terminals Type J1 To J8	X										
2	20.1	Marks For Circuit Breakers Terminals Type J0	X										
3		Operating Curve Of Releases	X										
3	10.1	Checking of thermal. and magnetic releases	X	X									
3	10.2	Operating Curve Equipment K1	X										
3	10.3	Operating Curve Equipment K2	X										
3	10.4	Operating Curve Equipment K3	X										
3	10.5	Operating Curve Equipment K4	X										
3	10.6	Operating Curve Equipment K5	X										
3	10.7	Operating Curve Equipment K6	X										
3	10.8	Operating Curve Equipment K7	X										
3	11.1	Operating Curve Equipment J1	X										
3	11.2	Operating Curve Equipment J4	X										
3	12.1	NS100N-TM-D-100A – Tripping Curves	X	X									
3	12.2	NS100N-TM-D-100A – Settings	X	X									
3	12.3	NS100-NS160 – Reflex Tripping	X	X									

P4108.A4.3061

This document is the sole property of "DELLE ASLSTHOM". It is submitted on a confidential basis and may not be passed on the third parties, used or reproduced except in exact accordance with prior express permission.

				CONTRACTOR MEMBER	<b>ALSTHOM</b> NUMBER 212041/100																
Z1	YK	2012-06-26	MOD. 00042C; DDR 1248/11		CONTRACTOR MEMBER DWG No.	KBA.12.17.L.OO.052															
C		1982-06-21	UPDATED																		
REV	DR. by	DATE	MODIFICATIONS																		
DWG No.		<b>KBA</b>	1	2	1	7	L	O	O	0	5	2		A	0	2	9	L	S	R	4/108

MODIFICATION LIST AND INDEX

Folios		DESIGNATION	MODIFICATIONS (folios)							
			C	Z1						
4		Components	X							
4	10.1	Indicator Lamp-Presence Of Voltage	X							
4	11.1	60V Lamp for indicator lamp of sheet 10.1	X							
4	12.1	Voltage test relay RMV 1200/1600	X							
4	12.2	Over current relay RMA 421	X							
4	13.1	Auxiliary relay RE 3000	X							
4	13.2	Time Lag Relay RTS 1040	X							
4	14.1	Ammeter NE 48 direct current	X							
4	14.2	Ammeter NE 48 alternating current	X							
4	15.1	Voltmeter NE 48 direct current	X							
4	15.2	Voltmeter NE 48 alternating current	X							
4	16.1	Insulation strength monitor RCN	X							
4	17.1	Plug-in connector for ELFA	X							
4	18.1	Insulation strength monitor 933	X							
4	19.1	Power connecting terminal on equipment with ELFA	X							
4	20.1	Power connecting terminal on equipment with JT or DT 200	X							
4	21.1	Wiring connection terminal	X							
4	22.1	Shunt for ammeters	X							
4	23.1	Current transformer of ammeters	X							
4	24.1	Microswitch Crouzet	X							
4	24.2	Auxiliary Contact - 29450	X	X						
4	25.1	Transformer - Rectifier 220V / 48V dc	X							
4	26.1	Transformer - Rectifier 220V / 30V dc	X							
4	27.1	Connector for insulation monitors	X							
4	28.1	Ground Connector	X							
4	29.1	Push Button UPM	X							
4	30.1	Circuit breaker MT-C-3A	X							
4	31.1	Stand-by Transformer OU 87 x 313	X							
4	32.1	Current Transformer TA3PB-100/5	X							
5		Drawings	X							
5	10.1	Diagrams	X							
5	11.1	Equipment Drawings	X							

P4108.A4.3061

*This document is the sole property of "DELLE ASLSTHOM". It is submitted on a confidential basis and may not be passed on the third parties, used or reproduced except in exact accordance with prior express permission.*

				CONTRACTOR MEMBER	<b>ALSTHOM</b> NUMBER 212041/100																
Z1	YK	2012-06-26	MOD. 00042C; DDR 1248/11			CONTRACTOR MEMBER DWG No.	KBA.12.17.L.OO.052														
C		1982-06-21	UPDATED																		
REV	DR. by	DATE	MODIFICATIONS																		
DWG No.		KBA		1	2	1	7	L	O	O	0	5	2	A	0	2	9	L	S	R	5/108

# MODIFICATION LIST AND INDEX

Folios	DESIGNATION	MODIFICATIONS (folios)									
		C	Z1								
6	Spare Parts	X									
6	10.1	Circuit Breakers J1-J4 and K1 to K7 Switches J0	X								
6	10.2	Circuit Breakers J1-J4 and K1 to K7 Switches J0	X								
6	10.3	Spare Parts – NS100N	X	X							
6	11.1	Complete Equipment and Spare parts	X								
6	12.1	Auxiliary Components	X								
7		Operation Placing into Service – Maintenance	X								
7	10.1	Manipulating the J0 Equipment (3 Inverter Inputs)	X								
7	10.2	Manipulating the J0 Equipment (1 Inverter Inputs)	X								
7	10.3	Manipulating the J0 Equipment	X								
7	10.4	Manipulating the J0 Type Equipment	X								
7	11.1	Manipulating the K1 to K7 Equipment	X								
7	11.2	Manipulating the K1 to K7 Equipment	X								
7	12.1	Delivery	X								
7	14.1	Maintenance	X								

P4108.A4.3061

*This document is the sole property of "DELLE ASLSTHOM". It is submitted on a confidential basis and may not be passed on the third parties, used or reproduced except in exact accordance with prior express permission.*

				CONTRACTOR MEMBER	<b>ALSTHOM</b> NUMBER 212041/100							
Z1	YK	2012-06-26	MOD. 00042C; DDR 1248/11	CONTRACTOR MEMBER DWG No.	KBA.12.17.L.OO.052 A 0 2 9 L S R 6/108							
C		1982-06-21	UPDATED									
REV	DR. by	DATE	MODIFICATIONS									

B

A

# SWITCHBOARD 220V, ALTERNATING CURRENT ( Front View )

00

2

2



P4108 A43061

Le present document est la propriete exclusive de "DELLE ALSTHOM". Remis a titre confidentiel, il ne peut être communiqué a des tiers, ni utilisé ou reproduit, qu'en stricte conformité d'autorisations expresses prealables.

This document is the sole property of "DELLE-ALSTHOM". It is submitted on a confidential basis and may not be passed on the third parties, used or reproduced except in exact accordance with prior express permission.

C	21.6.82	UP DATED		KBA 12 17 L000 52	
B	23.12.80	UP TO DATE			
Ø					
ÉTABLI PAR PREPARED BY ETELEC		LE : 07.79 ON	VÉRIFIÉ PAR CHECKED BY	NUMÉRO NUMBER 212041/100	7/108

Etablissem-  
 Etablissem-  
 Etablissem-

MACON  
 CHALON  
 Saugeraires

Etudes Installations

B

A



B

A

# GENERAL INFORMATION

0

- 10 - 1      General Information
- 11 - 1      Definition of the equipment
- 12 - 1 - 2      Equipment characteristics - Insertion guide on K equipment
- 13 - 1      Inside arrangement
- 14 - 1      Overall dimensions of cubicles
- 15 - 1      Layout of «HALFEN» sections

2

2



1

Etablissement MACON  
 Etablissement CHALON  
 Etablissement MACON Saugerolles

} Etudes Installations  
 -1

P4108A43061

Le présent document est la propriété exclusive de "DELLE-ALSTHOM". Remis à titre confidentiel, il ne peut être communiqué à des tiers, ni utilisé ou reproduit, qu'en stricte conformité d'autorisations expresses préalables.

This document is the sole property of "DELLE-ALSTHOM". It is submitted on a confidential basis and may not be passed on the third parties, used or reproduced except in exact accordance with prior express permission.

C	21.6.82	UP DATED		KBA 12 17 L00 052
Ø				8/108
ÉTABLI PAR PREPARED BY: ETELEC		LE : 07-79 ON:	VÉRIFIÉ PAR : CHECKED BY:	NUMÉRO NUMBER 212041/100

B

A

# GENERAL INFORMATION

0/10 - 1

The N 486 cubicles are designed and built in compliance with the «**TECHNICAL SPECIFICATIONS**» for nuclear power stations (document number KBA-12-15-G-10-001 : cubicle for monitoring source switchboards).

The N 486 cubicles are made of metal plates supporting input switches, circuit breakers protecting the outputs, and transformer-rectifiers.

On the upper panels of these cubicles are mounted the protection relays and the instruments.

The cubicles may be backed up to a wall; cable connection is through the front.

Main sheets to be checked :


- precise definition of the equipment : 0/12.1
- typical layout : 0/15.1
- inside arrangement : 0/13.1.

Erabissem  
 Erabissem  
 Erabissem  
 MACON Saugerries  
 Etudes Installations  
 MACHON  
 CHALON  
 MACHON

P4108 A4 3061

Le présent document est la propriété exclusive de "DELLE-ALSTHOM". Remis à titre confidentiel, il ne peut être communiqué à des tiers, ni utilisé ou reproduit, qu'en stricte conformité d'autorisations expresses préalables.

This document is the sole property of "DELLE-ALSTHOM". It is submitted on a confidential basis and may not be passed on the third parties, used or reproduced except in exact accordance with prior express permission.

C	21.6.82	UPDATED		KBA 12 17 L00 052
B	23.12.80	BROUGHT UP TO DATE		
Ø				9/108
ÉTABLI PAR : ETELEC		LE : 07.79	VÉRIFIÉ PAR :	NUMÉRO
PREPARED BY :		ON :	CHECKED BY :	NUMBER
				212041/100

## DEFINITION OF THE EQUIPMENT

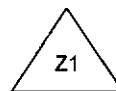
0/11 - 1

The various types of equipment have been defined to take into account the following criteria:

- maximum and minimum figures for short circuit currents at various parts of the installation,
- amperages going through each of the equipment items,
- equipment operating safety. Particularly for the computers (KIT), and the speed of triggering on short circuit should prevent voltage interruptions longer than 10 ms.

The types of equipment defined in this way are as follows:

- **Inverter input** (equipment type JO)  
Interruption JT 200, two-pole without release.
- **Outputs, 220 V, altering current** (equipment type K1 to K7)  
Circuit breaker ELFA G 2, two-pole, equipped with its own direct magnetic and thermal releases. The instantaneous triggering thresholds are given in the "equipment characteristics" table (sheet 0/12.1).  
The operating curves of the magnetic and thermal releases are given in sheet 3/10.1 to 3/10.8.
- Circuit breaker, Merlin Gerin NS100N, with plug-in base, rear connections and safety trip. The instantaneous triggering thresholds are given in the "equipment characteristics" table (sheet 0/12.1).
- The operating curves of magnetic and thermal release are given in sheet 3/12.1.
- The operating curve for reflex tripping are given in the sheet 3/12.2.
- **Outputs, 48 V or 30 V, direct current** (equipment type J1 or J4)  
Circuit breaker DT 200 two-pole equipped with its own direct magnetic and thermal releases. The instantaneous triggering thresholds are given in the "equipment characteristics" table (sheet 0/12.1).  
The operating curves of the magnetic and thermal releases are given in sheets 3/11.1 and 3/11.2.



Note:

- All the circuit breakers have two-poles and have manual control.
- The magnetic and thermal releases of the ELFA circuit breakers are not adjustable.
- The magnetic releases of the DT 200 circuit breakers are not adjustable.

P4108.A4.3061

*This document is the sole property of "DELLE ASLSTHOM". It is submitted on a confidential basis and may not be passed on the third parties, used or reproduced except in exact accordance with prior express permission.*

				CONTRACTOR MEMBER	<b>ALSTHOM</b> NUMBER 212041/100															
Z1	YK	2012-06-26	MOD. 00042C; DDR 1248/11	CONTRACTOR MEMBER DWG No.	KBA.12.17.L.OO.052															
C		1982-06-21	UPDATED																	
REV	DR. by	DATE	MODIFICATIONS																	
DWG No.	<b>KBA</b>	1	2	1	7	L	O	O	0	5	2		A	0	2	9	L	S	R	10/108

**EQUIPMENT CHARACTERISTICS**

0/12 - 1

Type of Unit	Type of Equipment	Operating Voltage	OPERATING AMPERAGE 1 <sup>st</sup> AT 60°C	Thermal Release for setting at 60°C	---Magnetic-Release			Minimum Section of the cables to be connected
					Adjustment Amerages (IR)	Tolerances on the operating zone *		
						mini	maxi	
INPUT, 220 V, ALTERNATING CURRENT								
JT200	J0	250 V	100 A	WITHOUT	WITHOUT			1(2 x 35 <sup>2</sup> )
OUTPUTS, 220 V, ALTERNATING CURRENT								
ELFA G2-3A	K1	220 V	2,5 A	2,5 A	27 A	21 A	33 A	1(2 x 2,5 <sup>2</sup> )
ELFA G2-6A	K2	220 V	5 A	5 A	54 A	42 A	66 A	1(2 x 2,5 <sup>2</sup> )
ELFA G2-10A	K3	220 V	8 A	8 A	90 A	70 A	110 A	1(2 x 2,5 <sup>2</sup> )
ELFA G2-16A	K4	220 V	12 A	12 A	80 A	64 A	96 A	1(2 x 2,5 <sup>2</sup> )
ELFA G2-20A	K5	220 V	16 A	16 A	100 A	80 A	120 A	1(2 x 6 <sup>2</sup> )
ELFA G2-25A	K6	220 V	20 A	20 A	125 A	100 A	150 A	1(2 x 6 <sup>2</sup> )
ELFA G2-32A	K7	220 V	25 A	25 A	106 A	80 A	128 A	1(2 x 16 <sup>2</sup> )
MG NS100N-TM-D-100		220 V	90 A	90 A	800 A	680 A	800 A	1 (2x70 <sup>2</sup> )
OUTPUT, 30 V or 48 V, DIRECT CURRENT								
DT 200	J1	125 V	12,5 A	12,5 A	165 A	130 A	200 A	1(2 x 6 <sup>2</sup> )
DT 200	J4	125 V	42 A	42 A	565 A	450 A	680 A	1(2 x 16 <sup>2</sup> )

\* These figures are given to within ± 22%.  
The insertion guide between equipment K1 to K7 is by plug-in blocks, see sheet 0/12.2

This document is the sole property of "DELLE ASLSTHOM". It is submitted on a confidential basis and may not be passed on the third parties, used or reproduced except in exact accordance with prior express permission.

P4108\_A4\_3061

REV		DR. by	DATE	MODIFICATIONS												CONTRACTOR MEMBER DWG No.	ALSTHOM NUMBER 212041/100		
Z1	YK	2012-06-26	MOD. 00042C; DDR 1248/11													CONTRACTOR MEMBER DWG No.			
C		1982-06-21	UPDATED													KBA.12.17.L.OO.052			
DWG No.	KBA	1	2	1	7	L	O	O	0	5	2	A	0	2	9	L	S	R	11/108

B

A

# INSERTION GUIDE PRINCIPLE ON EQUIPMENT-TYPE K1 to K7

0/12-2

FIXED PART

MOVING PART

Rating K1				
Rating K2 and non-equipped reserves				
Rating K3				
Rating K4				
Rating K5				
Rating K6				
Rating K7				

P4108 A4 3061

Le présent document est la propriété exclusive de "DELLE-ALSTHOM". Remis à titre confidentiel, il ne peut être communiqué à des tiers, ni utilisé ou reproduit, qu'en stricte conformité d'autorisations expresses préalables.

This document is the sole property of "DELLE-ALSTHOM". It is submitted on a confidential basis and may not be passed on the third parties, used or reproduced except in exact accordance with prior express permission.

Etablissement  
 Etablissement  
 Etablissement  
 Etudes Installations  
 CHALON  
 MAÇON Saugerolles

C	21.6.82	UP DATED		KBA 12 17 L00 052
ÉTABLI PAR	ETELEC	LE : 6 79	VÉRIFIÉ PAR :	NUMÉRO
PREPARED BY		ON :	CHECKED BY :	NUMBER
				212041/100
				12/108

B

A

# INSIDE ARRANGEMENT

0/13\_1

The input and output equipment is set on mounts in cubicle 486 which comprises 85 coefficients (K) - since each mount is assigned a certain number of coefficients, it is possible to define the maximum stacking in a cubicle. Mounts have been provided for special circuits.

See table below

EQUIPMENT	COMPONENTS	No. of K	ARRANGEMENT ON MOUNT
Inverter input	JT 200 (J0)	17	○ ○ ○
A. C. output	ELFA (K1 to K7)	14	○ ○ ○ ○
D. C. output	DT 200 (J1 or J4)	17	● ● ●
D. C. Input + Output	DT 200 (J0) + ELFA (K1 to K7)	17	○ ○ ○
D. C. Output + rectifier, 500 W	DT 200 (J1) + rectifier	23	▽ ●
Rectifier, 500 W		13	▽
Rectifier, 1000 W		27	▽
Relay mount (LBA)		10	▭
Relay mount (9 LNF) (9 LNI)		17	▭

P4108 A4 3061

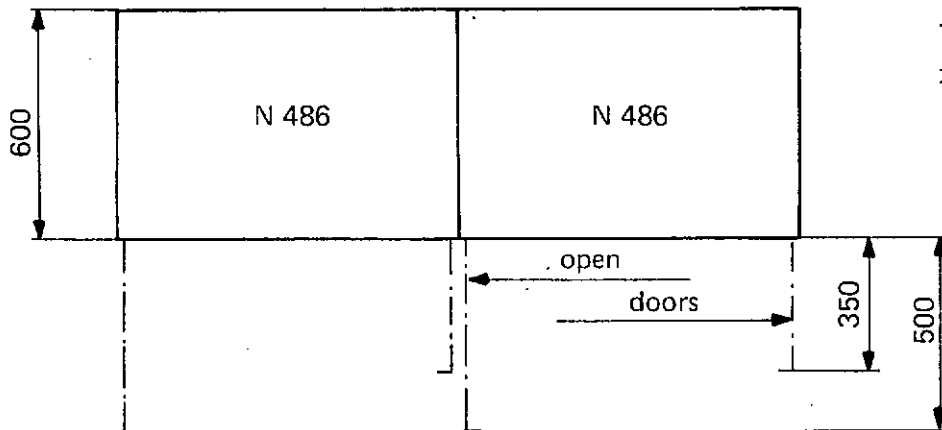
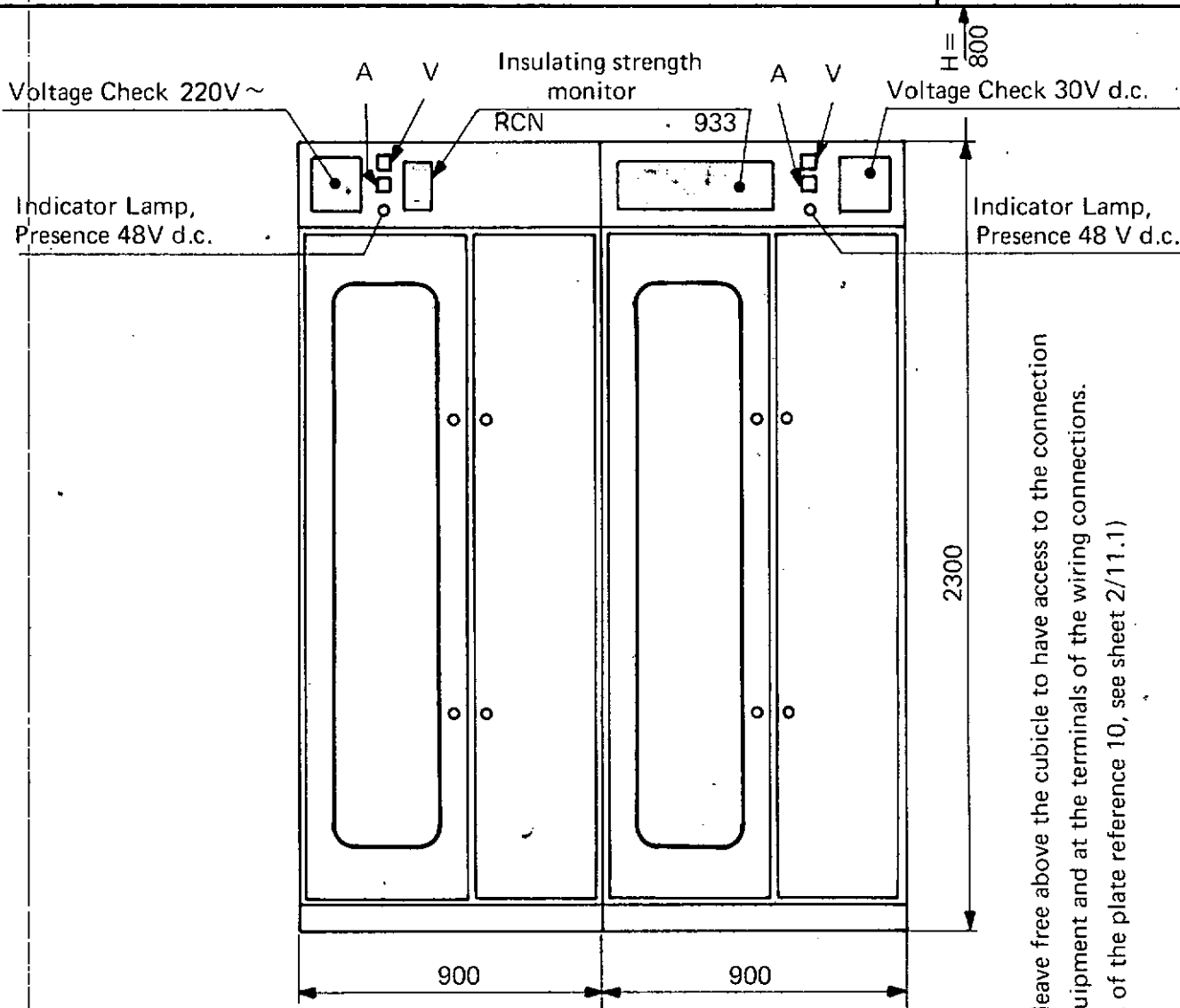
Le présent document est la propriété exclusive de "DELLE-ALSTHOM". Remis à titre confidentiel, il ne peut être communiqué à des tiers, ni utilisé ou reproduit, qu'en stricte conformité d'autorisations expresses préalables.

This document is the sole property of "DELLE-ALSTHOM". It is submitted on a confidential basis and may not be passed on the third parties, used or reproduced except in exact accordance with prior express permission.

<input type="checkbox"/> Etablissement <input checked="" type="checkbox"/> Etblissement <input type="checkbox"/> Etablissement	MACON CHALON MACON Saugeraires	Etudes Installations 1	21.6.82 Up dated	23.12.80 Brought up to date		KBA 12 17 L00 052 13/108
ETABLI PAR : ETELEC PREPARED BY:		LE : 07.79 ON:	VÉRIFIÉ PAR : CHECKED BY:		NUMÉRO NUMBER 212041/100	

# OVERALL DIMENSIONS OF CUBICLES

0 / 14 - 1



H = height to leave free above the cubicle to have access to the connection on the equipment and at the terminals of the wiring connections.  
(Removal of the plate reference 10, see sheet 2/11.1)

P410BA43061

Le présent document est la propriété exclusive de "DELLE-ALSTHOM". Remis à titre confidentiel, il ne peut être communiqué à des tiers, ni utilisé ou reproduit, qu'en stricte conformité d'autorisations expresses préalables.

This document is the sole property of "DELLE-ALSTHOM". It is submitted on a confidential basis and may not be passed on the third parties, used or reproduced except in exact accordance with prior express permission.

C	21.6.82	up dated		KBA 12 17 200 052
B	23.12.80	Brought up to date		
Ø				
ÉTABLI PAR : ETELEC		LE : 6 79	VÉRIFIÉ PAR :	NUMÉRO
PREPARED BY :		ON :	CHECKED BY :	NUMBER
				212041/100

14/108

Établissement MICON  
Établissem. CHALON  
Établissement MICON Souveraines

Etudes Installations

B

A

B

A

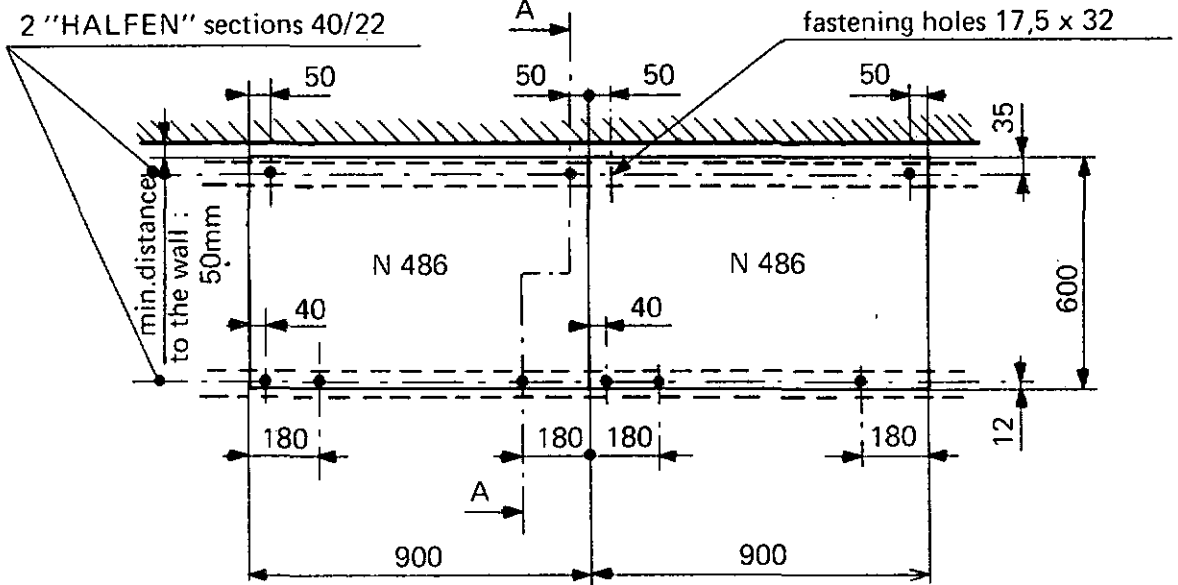
2

2

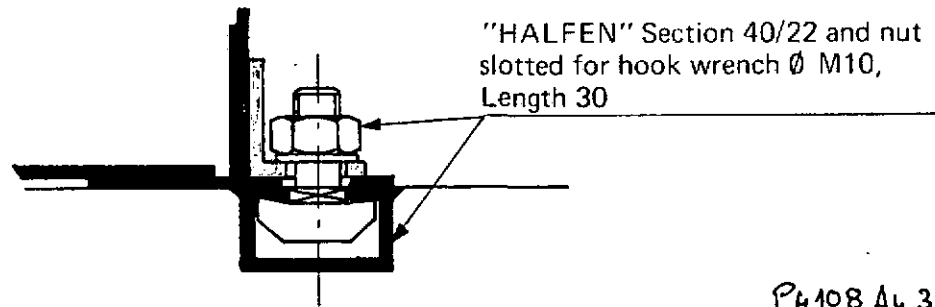
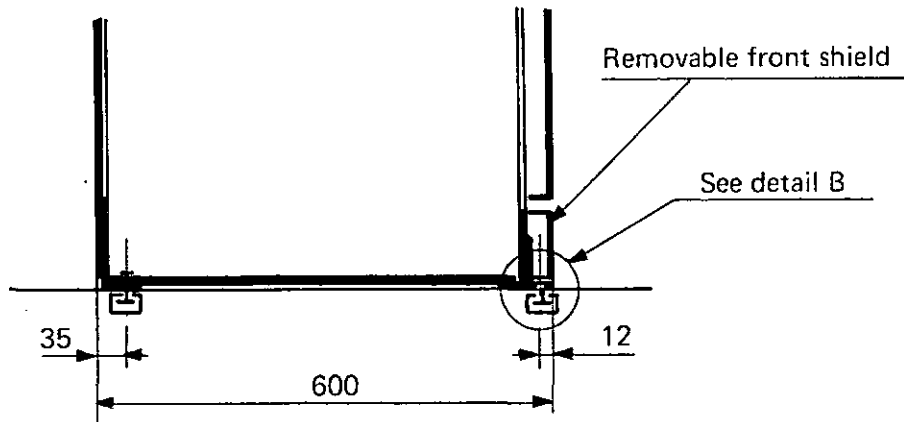
1

# LAYOUT OF "HALFEN" SECTIONS

0/15\_1



CROSS-SECTION AA



NOTE : these cubicles may also be fastened

P4108 A4 3061

Le présent document est la propriété exclusive de "DELLE-ALSTHOM". Remis à titre confidentiel, il ne peut être communiqué à des tiers, ni utilisé ou reproduit, qu'en stricte conformité d'autorisations expresses préalables.

This document is the sole property of "DELLE-ALSTHOM". It is submitted on a confidential basis and may not be passed on the third parties, used or reproduced except in exact accordance with prior express permission.

Études Installations  
MACON CHALON  
MACON Saugeraires  
Etablissement  
Etablissen  
Etablissen

C	21.6.82	Up dated	DELLE ALSTHOM	KBA 12 17 L00 052
Ø			NUMÉRO NUMBER 212041/100	15/108
ÉTABLI PAR : ETELEC PREPARED BY :		LE : 6 79 ON :	VÉRIFIÉ PAR : CHECKED BY :	

B

A



B

A

# GENERAL CHARACTERISTICS

1

10.1.2

General characteristics

2


2

Etablissem  
 Etablissem  
 Etablissem  
 MACON  
 CHALON  
 MAISON Saugerai  
 Etudes Installations

PH108 Av 3061

Le présent document est la propriété exclusive de "DELLE-ALSTHOM". Remis à titre confidentiel, il ne peut être communiqué à des tiers, ni utilisé ou reproduit, qu'en stricte conformité d'autorisations expresses préalables.

This document is the sole property of "DELLE-ALSTHOM". It is submitted on a confidential basis and may not be passed on the third parties, used or reproduced except in exact accordance with prior express permission.

C	21.6.82	Up dated		KBA 12 17 L00 052 16/108
Ø				
ÉTABLI PAR : ETELEC PREPARED BY :		LE : 07-79 ON :	VÉRIFIÉ PAR : CHECKED BY :	NUMÉRO : 212041/100 NUMBER :

B

A

# GENERAL CHARACTERISTICS

1/10\_1

## I. ELECTRICAL CHARACTERISTICS

### 1. Nominal

- Rated service voltage : 220 VAC single phase
- Maximum exceptional voltage for main circuit : 242 VAC single phase
- Insulation rated voltage : 500V
- Maximum current on busbars under continuous operation: 200A
- Assumed short circuit current : 2000 A/1 sec
- Rated frequency : 50 Hz

### 2. Compliance with the standards

#### a) Cubicle

- IEC 439 : prefabricated low voltage unit
- NFC 12100 : decree of November 14, 1962 relative to protection of workers
- UTE : «Union Techniques de l'Electricite» (Electricity Technical UNION)
- NF : «Norm Francaise» (French Standard)
- European scale for degree of rusting for anti-rust paint (edition 1963).

#### b) Components

- IEC 157 : general use circuit breaker
- IEC 51 : measuring instruments

#### c) Degree of protection

- According to standard IEC 529 : IP 317.

## II. DIMENSIONAL AND WEIGHT CHARACTERISTICS

See sheets : 0/14.1

### 1. Main dimensions

- height : 2300
- width : 900
- depth : 600


### 2. Dimensions of mounts

- a) for inverter inputs : H : 400  
L : 500  
D : 260
- b) for outputs with ELFA : H : 315  
L : 500  
D : 180
- c) for outputs with DT 200 : H : 400  
L : 500

PH108 A4 3061

Le présent document est la propriété exclusive de "DELLE-ALSTHOM". Remis à titre confidentiel, il ne peut être communiqué à des tiers, ni utilisé ou reproduit, qu'en stricte conformité d'autorisations expresses préalables.

This document is the sole property of "DELLE-ALSTHOM". It is submitted on a confidential basis and may not be passed on the third parties, used or reproduced except in exact accordance with prior express permission.

C	21.6.82	Updated		KBA 12 17 L00 052
B	23.12.80	Brought up to date		
Ø				
ÉTABLI PAR : ETELEC		LE : 07.79	VÉRIFIÉ PAR :	NUMÉRO : 212041/100
PREPARED BY :		ON :	CHECKED BY :	NUMBER :

17/108

Etudes Installations  
 1  
 M.A.C.O.N. Savigneries  
 M.A.C.O.N. CHALON  
 M.A.C.O.N.

# GENERAL CHARACTERISTICS

1/10 - 2

- d) for DT + circuit breaker, 500 W :
    - H : 520
    - L : 500
    - D : 260
  - e) for rectifier F.C. :
    - H : 292,5
    - L : 500
    - D : 250
  - f) for rectifier, 1000 W :
    - H : 620
    - L : 500
    - D : 300
  - g) for relays :
    - H : 225
    - L : 500
    - D : 120
- H : 382,5
- 17 K : L : 500  
D : 120

### 3. Approximate weights

- for completely equipped cubicles : approximately 350 kg
- for mounts : from 15 to 20 kg approximately with cutoff equipment.

## III. CHARACTERISTICS FOR TRANSPORT

The weights and overall dimensions of packs cannot be given unless all the switchboard details are specified.


These figures depend essentially upon the size of the switchboards, the handling facilities for unloading, and the dimensions of the access doors to the premises of the installation.

Etablissement MACON  
 Etudes Installations CHALON  
 Etablissement MACON Saugeraires

P4108 A4 3061

Le présent document est la propriété exclusive de "DELLE-ALSTHOM". Remis à titre confidentiel, il ne peut être communiqué à des tiers, ni utilisé ou reproduit, qu'en stricte conformité d'autorisations expresse préalables.

This document is the sole property of "DELLE-ALSTHOM". It is submitted on a confidential basis and may not be passed on the third parties, used or reproduced except in exact accordance with prior express permission.

C	21.6.82	Up dated		KBA 1217 L00 052  18/108			
B	23.12.80	Brought up to date					
Ø							
ÉTABLI PAR / PREPARED BY	ETELEC	LE / ON	07.79	VÉRIFIÉ PAR / CHECKED BY		NUMÉRO / NUMBER	212041/100

# COMPONENTS OF THE CUBICLES

2

- 10-1-2-3 Cable connection
- 11-1-2-3 Framing N 486
- 12-1 Horizontal busbars
- 13-1-2 Vertical busbars
- 14-1 Cubicle aeration N 486
- 15-1-2 Equipment K1 to K7
- 16-1 Ground feeder
- 17-1-2 Relay mount (1 inverter input)
- 17-3-4 Relay mount (3 inverter inputs)
- 17-5 Transformer Incoming Mount
- 17-6 Rectifier 500 VA Mount
- 17-7 Rectifier 1 000 VA Mount
- 18-1-2-3 Busbar ground connection
- 19-1 Marks for circuit breakers terminals from type J1 to J8
- 17-5 Transformer incoming mount
- 20-1 Marks for circuit breakers terminals from type J0

2

2

Etudes - Installations  
 -  
 de MACON  
 CHALON  
 MAÇON SAUVAGEAIES  
 Etabli  
 Etabli  
 Etablissem

P4108 A4 3061

Le présent document est la propriété exclusive de "DELLE-ALSTHOM". Remis à titre confidentiel, il ne peut être communiqué à des tiers, ni utilisé ou reproduit, qu'en stricte conformité d'autorisations expresses préalables.

This document is the sole property of "DELLE-ALSTHOM". It is submitted on a confidential basis and may not be passed on the third parties, used or reproduced except in exact accordance with prior express permission.

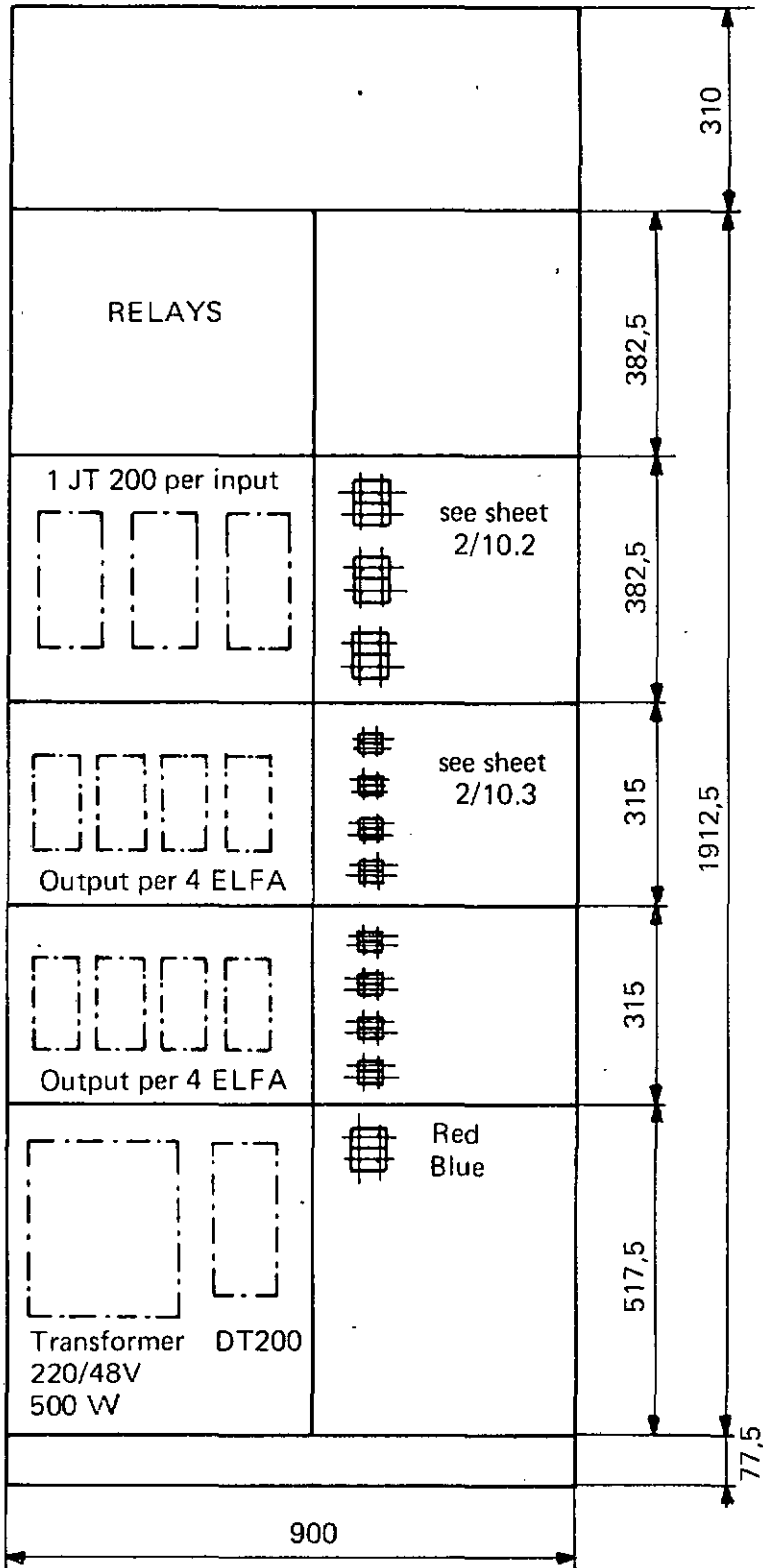
C.	24.6.82	Updated		KBA 1217L00052
ÉTABLI PAR : PREPARED BY :	LE : ON :	VÉRIFIÉ PAR : CHECKED BY :	NUMÉRO : NUMBER : 212 041 / 100	19/108

B

A

# CABLE CONNECTION ( Front view )

2 / 10\_1



Etudes Installations

MACON Souveraines

MACON CHALON

P4108 A4 3061

Le présent document est la propriété exclusive de "DELLE-ALSTHOM". Remis à titre confidentiel, il ne peut être communiqué à des tiers, ni utilisé ou reproduit, qu'en stricte conformité d'autorisations expresses préalables.

This document is the sole property of "DELLE-ALSTHOM" It is submitted on a confidential basis and may not be passed on the third parties, used or reproduced except in exact accordance with prior express permission.

U	21.6.82	UPDATED		KBA 12.17 L00 052
B	23.10.80	Brought up to date		
Ø				
ÉTABLI PAR : ETELEC		LE : 6 79	VÉRIFIÉ PAR :	
PREPARED BY :		ON :	CHECKED BY :	
			NUMÉRO	212 041/100
			NUMBER	

R

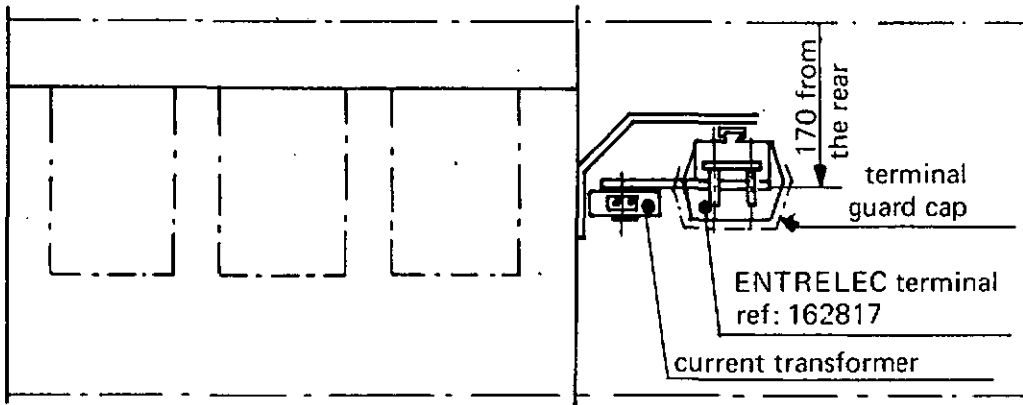
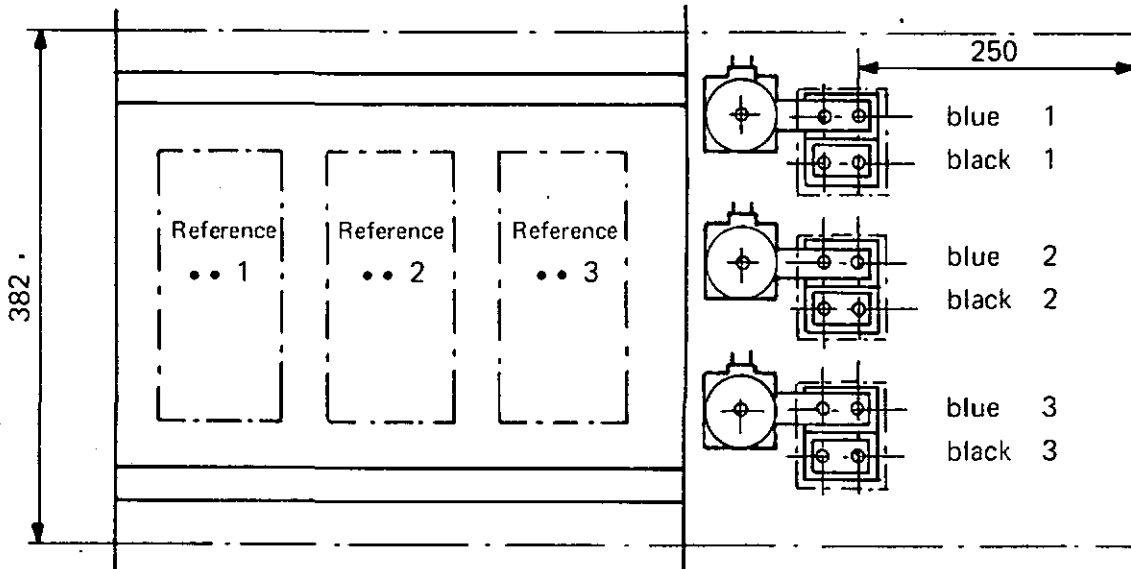
A

B

A

# CABLE CONNECTION - Equipment type JO - Inputs per JT 200

2/10 - 2



P4108 A4 3061

Le présent document est la propriété exclusive de "DELLE-ALSTHOM". Remis à titre confidentiel, il ne peut être communiqué à des tiers, ni utilisé ou reproduit, qu'en stricte conformité d'autorisations expresse préalables.

This document is the sole property of "DELLE-ALSTHOM". It is submitted on a confidential basis and may not be passed on the third parties, used or reproduced except in exact accordance with prior express permission.

Etudes Installations  
→

MACON Saugeraiés

MACON CHALON

MACON Saugeraiés

Etalblissement

Etalblissement

Etalblissement

C	21.6.82	Updated	DELLE ALSTHOM	KBA 12 17 400 052
Ø				21/108
ÉTABLI PAR : ETELEC		LE : 6 79	VÉRIFIÉ PAR :	NUMÉRO NUMBER 212 041/100
PRÉPARÉ BY :		ON :	CHECKED BY :	

B

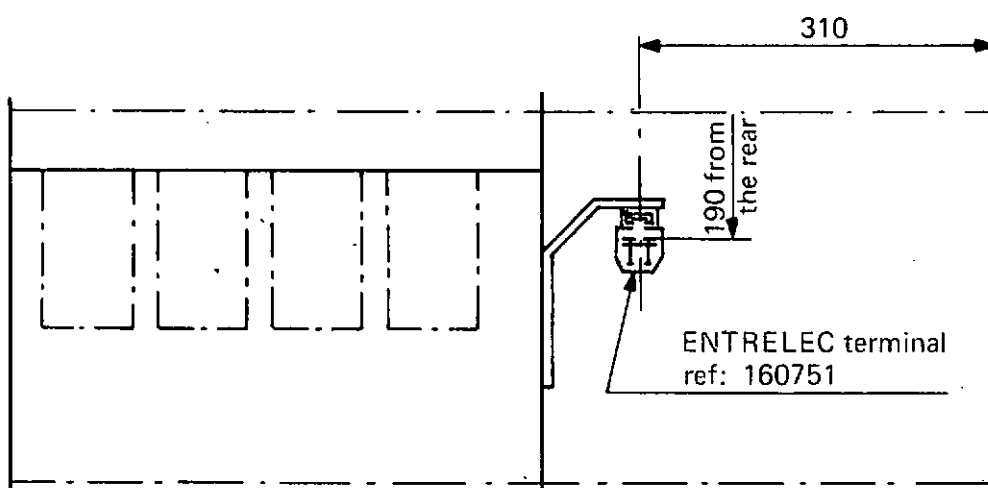
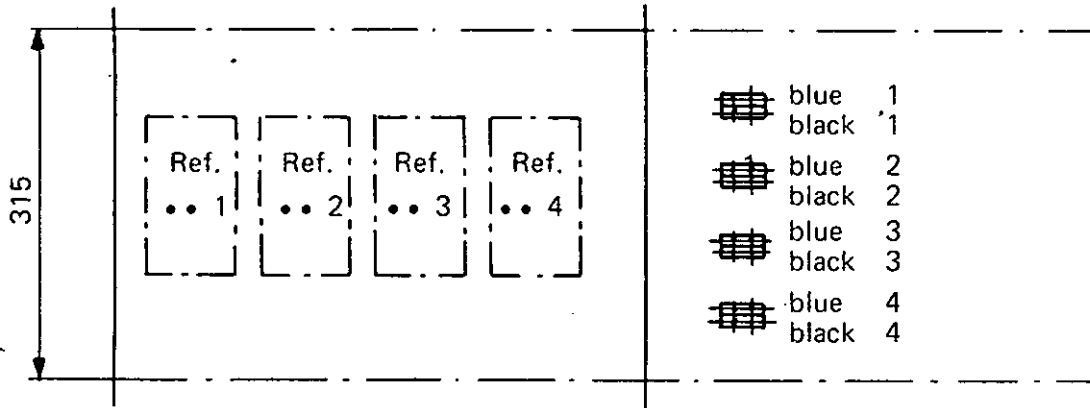
A

B

A

# CABLE CONNECTION - Equipment type K - Output per ELFA

2 / 10 - 3



Etudes Installations  
Macon Saugerai

MACON  
CHALON  
SAUGERAI

Établissement  
Établissem  
Établissem

P4108 A4 3061

Le présent document est la propriété exclusive de "DELLE-ALSTHOM" Remis à titre confidentiel, il ne peut être communiqué à des tiers, ni utilisé ou reproduit, qu'en stricte conformité d'autorisations expresses préalables.

This document is the sole property of "DELLE-ALSTHOM" It is submitted on a confidential basis and may not be passed on the third parties, used or reproduced except in exact accordance with prior express permission.

C	21.6.82	Updated		KBA 12 77 400 052
B	23.12.80	Brought up to date		
Ø				
ÉTABLI PAR : ETELEC		LE : 6 79	VÉRIFIÉ PAR :	
PREPARED BY		ON:	CHECKED BY :	
			NUMÉRO NUMBER	212041/100

B

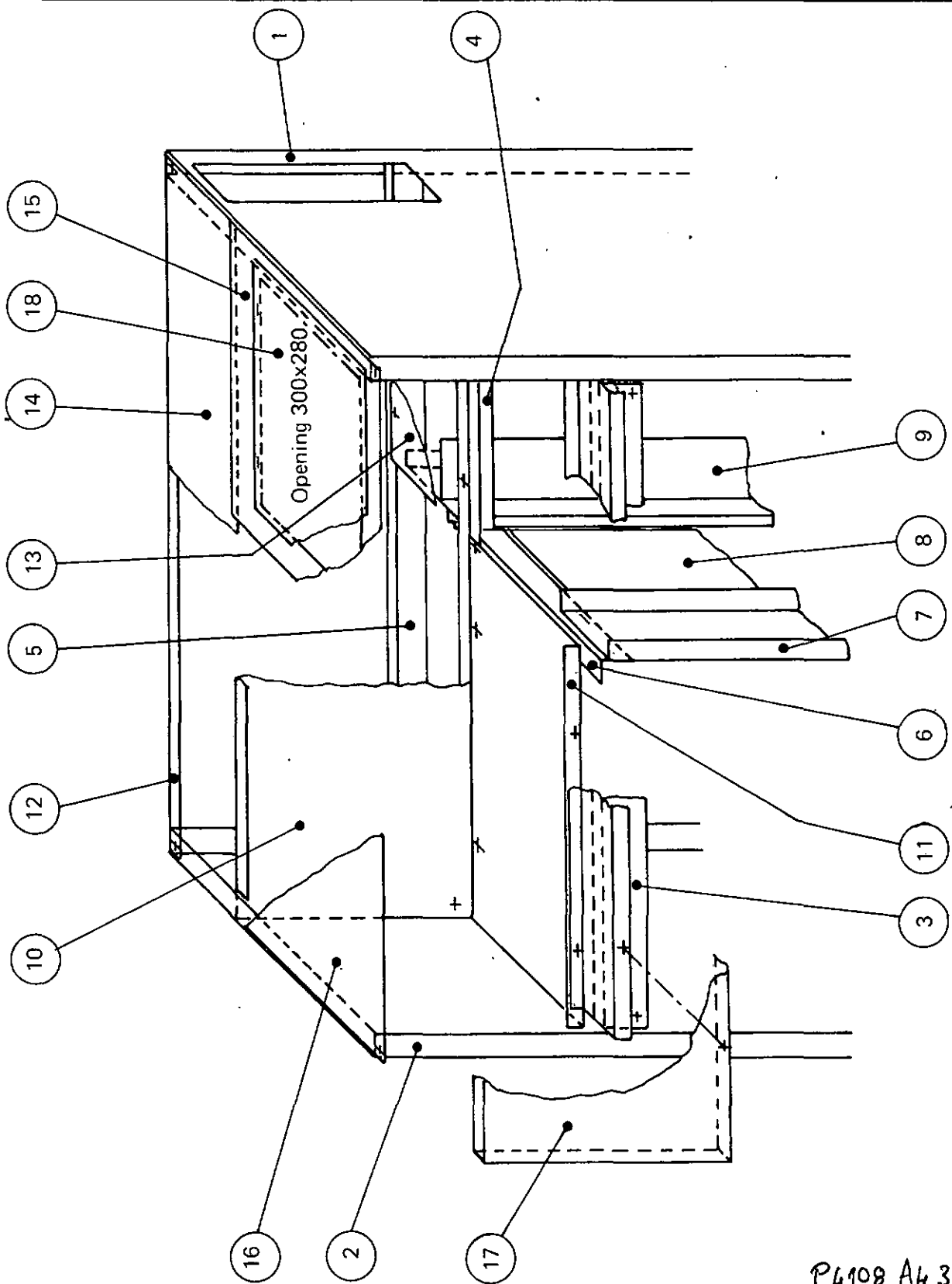
A

B

A

# FRAMING N 485 (Upper Part)

2/11\_1



Etablissements MACON  
 Etudes Installations  
 Etablissements CHALON  
 Etablissements MACON Saugeraires

P4108 A4 3064

Le présent document est la propriété exclusive de "DELLE-ALSTHOM". Remis à titre confidentiel, il ne peut être communiqué à des tiers, ni utilisé ou reproduit, qu'en stricte conformité d'autorisations expresses préalables.

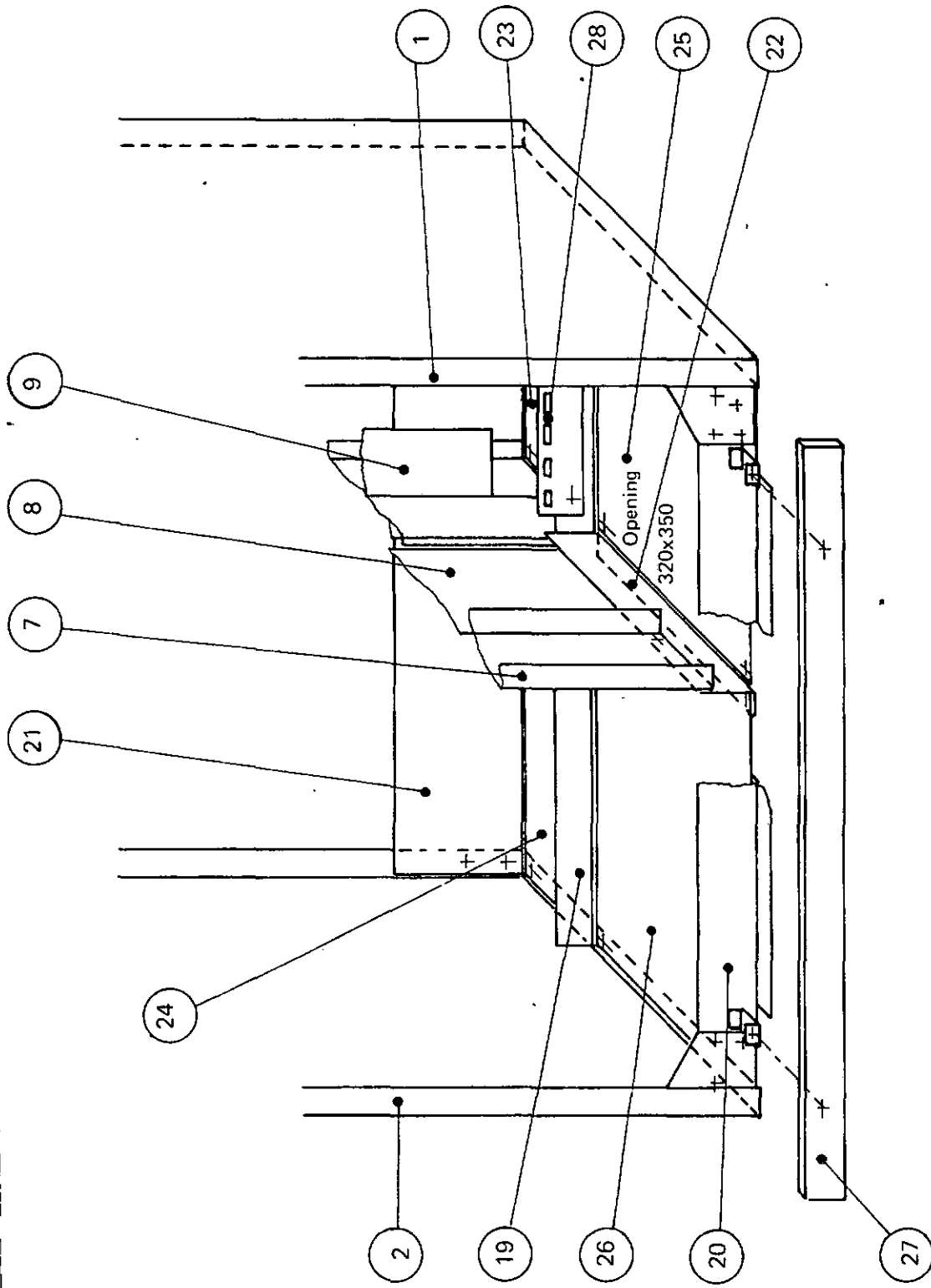
This document is the sole property of "DELLE-ALSTHOM". It is submitted on a confidential basis and may not be passed on the third parties, used or reproduced except in exact accordance with prior express permission.

C	21.6.82	Updated		KBA 12 17 L00 052
Ø				NUMÉRO NUMBER 212 041/100
ÉTABLI PAR : ETELEC		LE : 6 79	VÉRIFIÉ PAR :	
PREPARED BY :		ON :	CHECKED BY :	



# FRAMING N 485 ( Lower Part )

2/11\_2



Etudes Installations  
 -1  
 MACON Sauvageoires  
 MACON CHALON  
 MACON Sauvageoires

P4108 A4 3061

Le présent document est la propriété exclusive de "DELLE-ALSTHOM" Remis à titre confidentiel il ne peut être communiqué à des tiers, ni utilisé ou reproduit, qu'en stricte conformité d'autorisations expresses préalables.

This document is the sole property of "DELLE-ALSTHOM" It is submitted on a confidential basis and may not be passed on the third parties, used or reproduced except in exact accordance with prior express permission.

C	21.6.82	Updated		KBA12 17 L00 052
Ø				
ÉTABLI PAR PREPARED BY:	ETELEC	LE : 6 79 ON:	VÉRIFIÉ PAR CHECKED BY:	NUMÉRO NUMBER 212041/100

24/108

# FRAMING N 486 - Designation of the Elements .

2/11\_3

1.	Complete right flange	Adx. thickness 2 mm
2.	Complete left flange	Adx. thickness 2 mm
3.	Complete front upper cross-member	Adx. thickness 2 mm
4.	Complete middle cross-member	
5.	Rear upper cross-member	Adx. thickness 2 mm
6.	Upper partition support	Adx. thickness 2 mm
7.	Front upright	Adx. thickness 2 mm
8.	Side partition	Adx. thickness 1.5 mm
9.	Complete rear upright	
10.	Vertical partition	Adx. thickness 2 mm
11.	Front horizontal partition	Adx. thickness 1.5 mm
12.	Rear plate	Adx. thickness 1.5 mm
13.	Horizontal partition	Adx. thickness 1.5 mm
14.	Upper rear plate	Adx. thickness 1.5 mm
15.	Upper front right plate	Adx. thickness 1.5 mm
16.	Upper front left plate	Adx. thickness 1.5 mm
17.	Upper cover plate	Adx. thickness 1.5 mm
18.	Sealing plate	Adx. thickness 1.5 mm
19.	Lower middle cross-member	Adx. thickness 2 mm
20.	Lower front cross-member	Adx. thickness 2 mm
21.	Lower rear cross-member	Adx. thickness 2 mm
22.	Lower partition support	Adx. thickness 2 mm
23.	Bottom rear right plate	Adx. thickness 2 mm
24.	Bottom rear left plate	Adx. thickness 2 mm
25.	Bottom front right plate	Adx. thickness 2 mm
26.	Bottom front left plate	Adx. thickness 2 mm
27.	Lower plate	Adx. thickness 1.5 mm
28.	Cable support	Adx. thickness 1.5 mm

P4108 A4 3061

Le présent document est la propriété exclusive de "DELLE-ALSTHOM" Remis à titre confidentiel, il ne peut être communiqué à des tiers, ni utilisé ou reproduit, qu'en stricte conformité d'autorisations expresses préalables.

This document is the sole property of "DELLE-ALSTHOM" It is submitted on a confidential basis and may not be passed on the third parties, used or reproduced except in exact accordance with prior express permission

KBA 12 17 00 052



25/108

ÉTABLI PAR PREPARED BY	ETELEC	LE ON	07.79	VÉRIFIÉ PAR CHECKED BY	
---------------------------	--------	----------	-------	---------------------------	--

NUMÉRO NUMBER	212041/100
------------------	------------

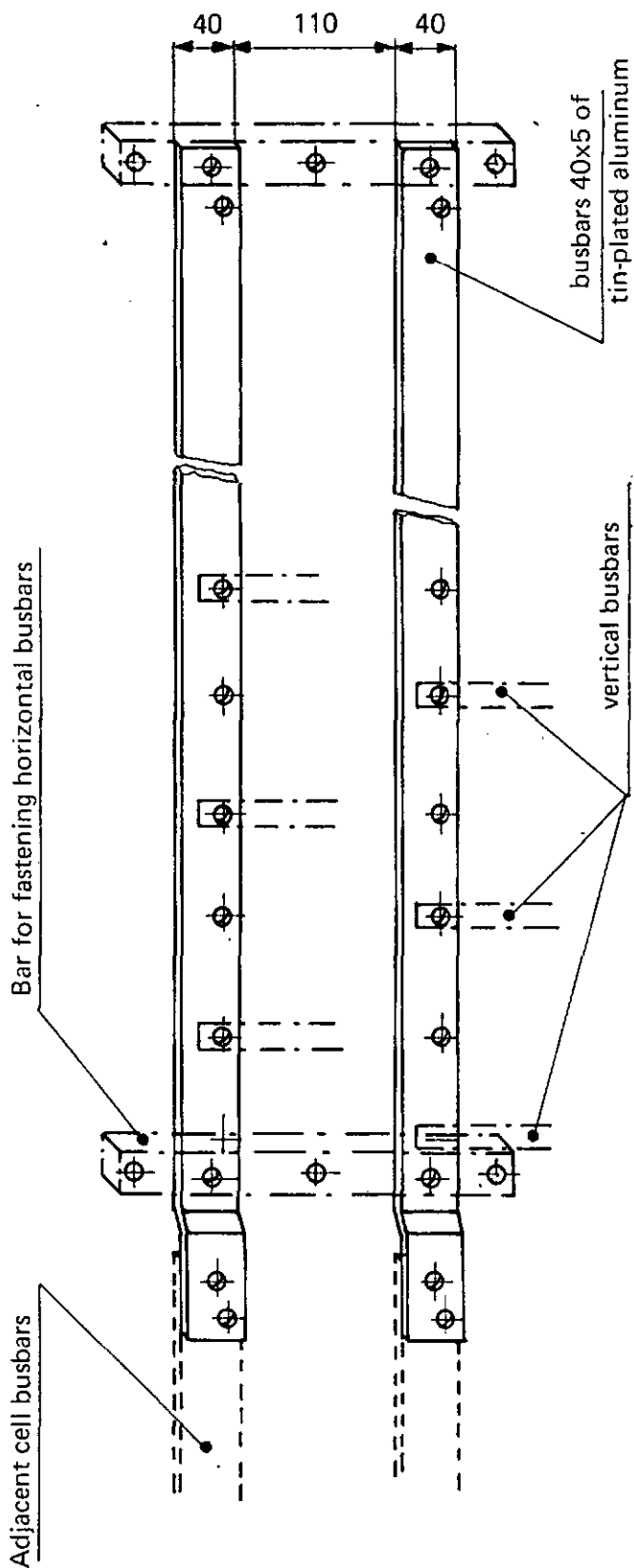
Etudes Installations  
 Erabissem  
 Erabissem  
 Erabissem  
 MACON  
 CHALON  
 MACON Saugeraiés

B

A

# HORIZONTAL BUSBARS

2 / 12 - 1



Nominal current on continuous service : 400 A

P4108 A4 3061

Le présent document est la propriété exclusive de "DELLE-ALSTHOM". Remis à titre confidentiel, il ne peut être communiqué à des tiers, ni utilisé ou reproduit, qu'en stricte conformité d'autorisations expresses préalables.

This document is the sole property of "DELLE-ALSTHOM". It is submitted on a confidential basis and may not be passed on the third parties, used or reproduced except in exact accordance with prior express permission.

C 21.6.82 Up dated



KBA 12 17 L00 052

26/108

ÉTABLI PAR : ETELEC LE : 6 79  
PREPARED BY : ON :

VÉRIFIÉ PAR :  
CHECKED BY :

NUMÉRO : 212041/100  
NUMBER :

B

A

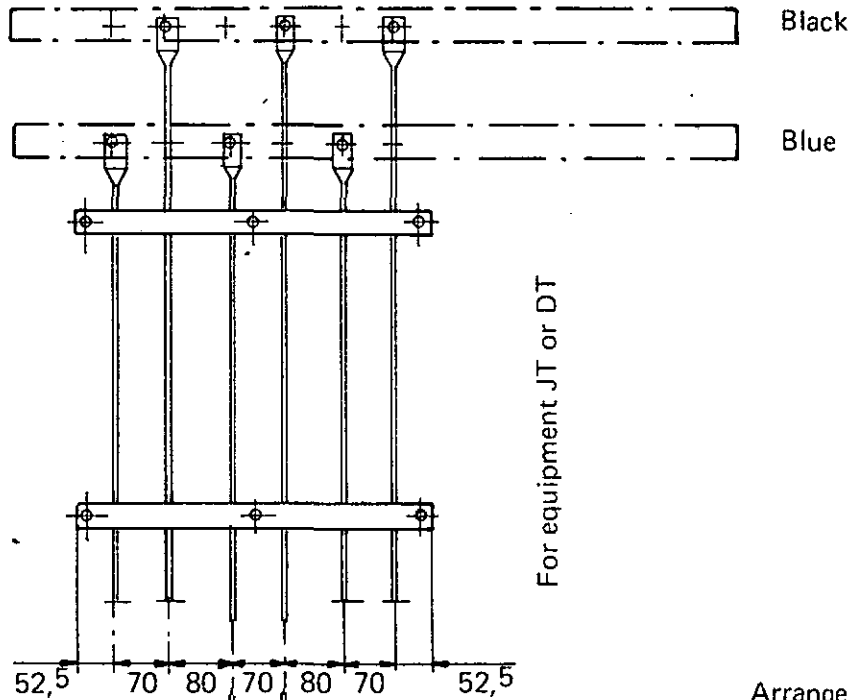
Etablissements MACON  
 Etablissements CHALON  
 Etablissements MACON Souveraines  
 Etudes Installations

2

1

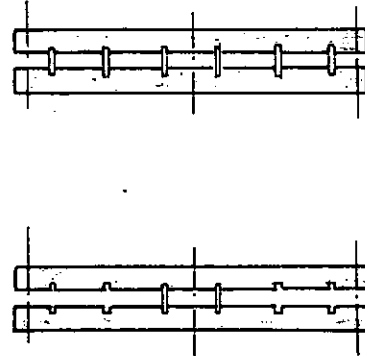
# VERTICAL BUSBARS\_N 486

2/13 - 1



Arrangement of busbars

View from above



busbar: Cu.20x4

For equipment ELFA

5 identical busbar arrangements

Nominal current on continuous service: 200 A

P4108 A4 3061

Le présent document est la propriété exclusive de "DELLE-ALSTHOM". Remis à titre confidentiel, il ne peut être communiqué à des tiers, ni utilisé ou reproduit, qu'en stricte conformité d'autorisations expresses préalables.

This document is the sole property of "DELLE-ALSTHOM". It is submitted on a confidential basis and may not be passed on the third parties, used or reproduced except in exact accordance with prior express permission.

C 21.6.82 updated



KBA 12 17 L00 052

27/108

ÉTABLI PAR : ETELEC LE : 6 79 VÉRIFIÉ PAR :  
PREPARED BY : ON: CHECKED BY :

NUMÉRO 212041/100  
NUMBER

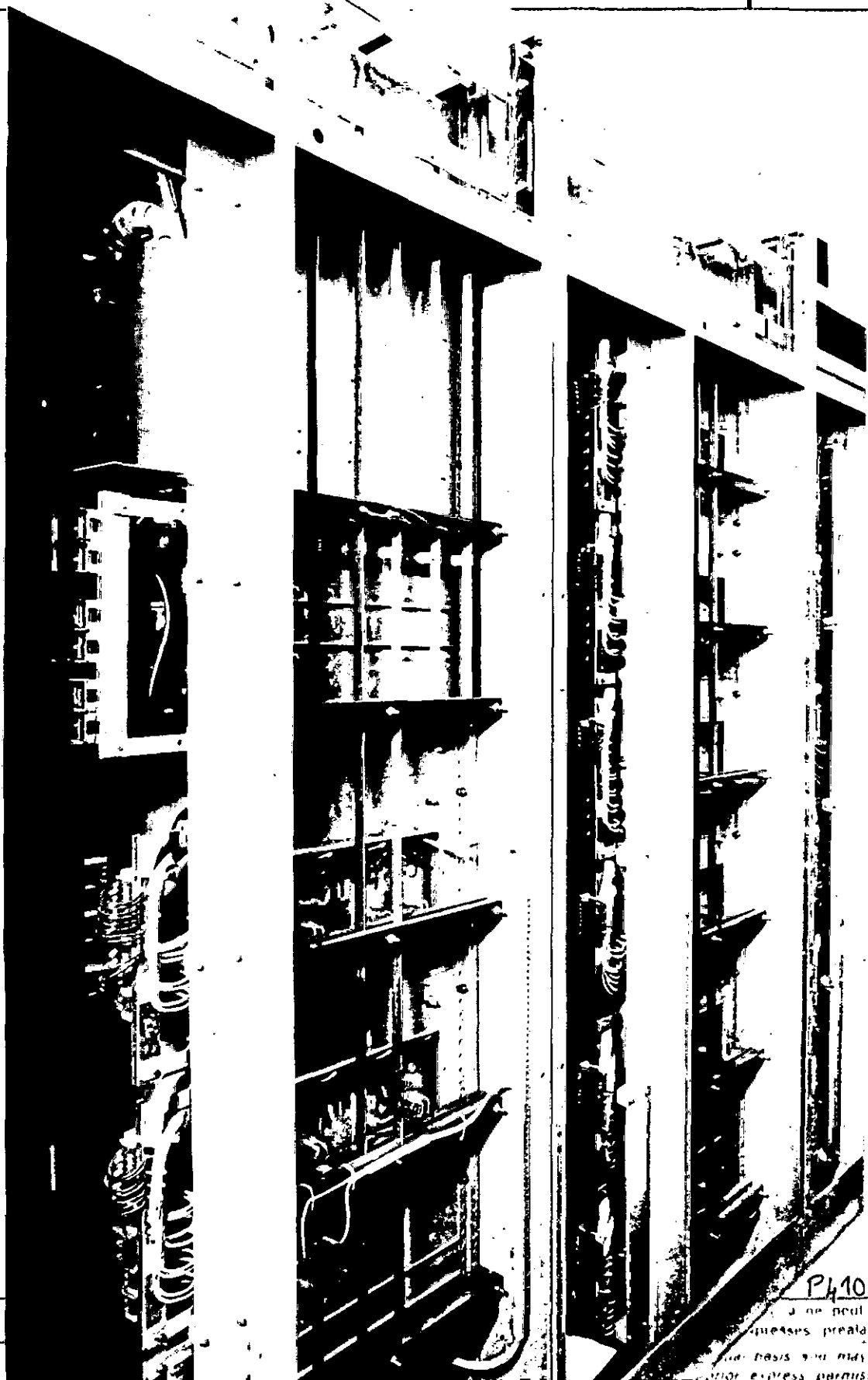
Etudes Installations  
1  
Etablissement MACON  
Etablissement CHALON  
Etablissement MACON Saugeraires

B

A

# BUSBARS (rear view of a switchboard)

2/13\_2



2

2

Etablissement de MACON  
 Etudes Installations  
 1  
 MACON Souterraines

P4108 A4 3061

ne peut être  
 révisées préalables  
 sur la base de la  
 autorisation expresse

C	21.6.82	Up dated	DELLE ALSTHOM	KBA 12 47 L00 052
ETABLI PAR PREPARED BY	FTELEC	LE ON 07.79	NUMERO NUMBRA 212041/100	28/108

B

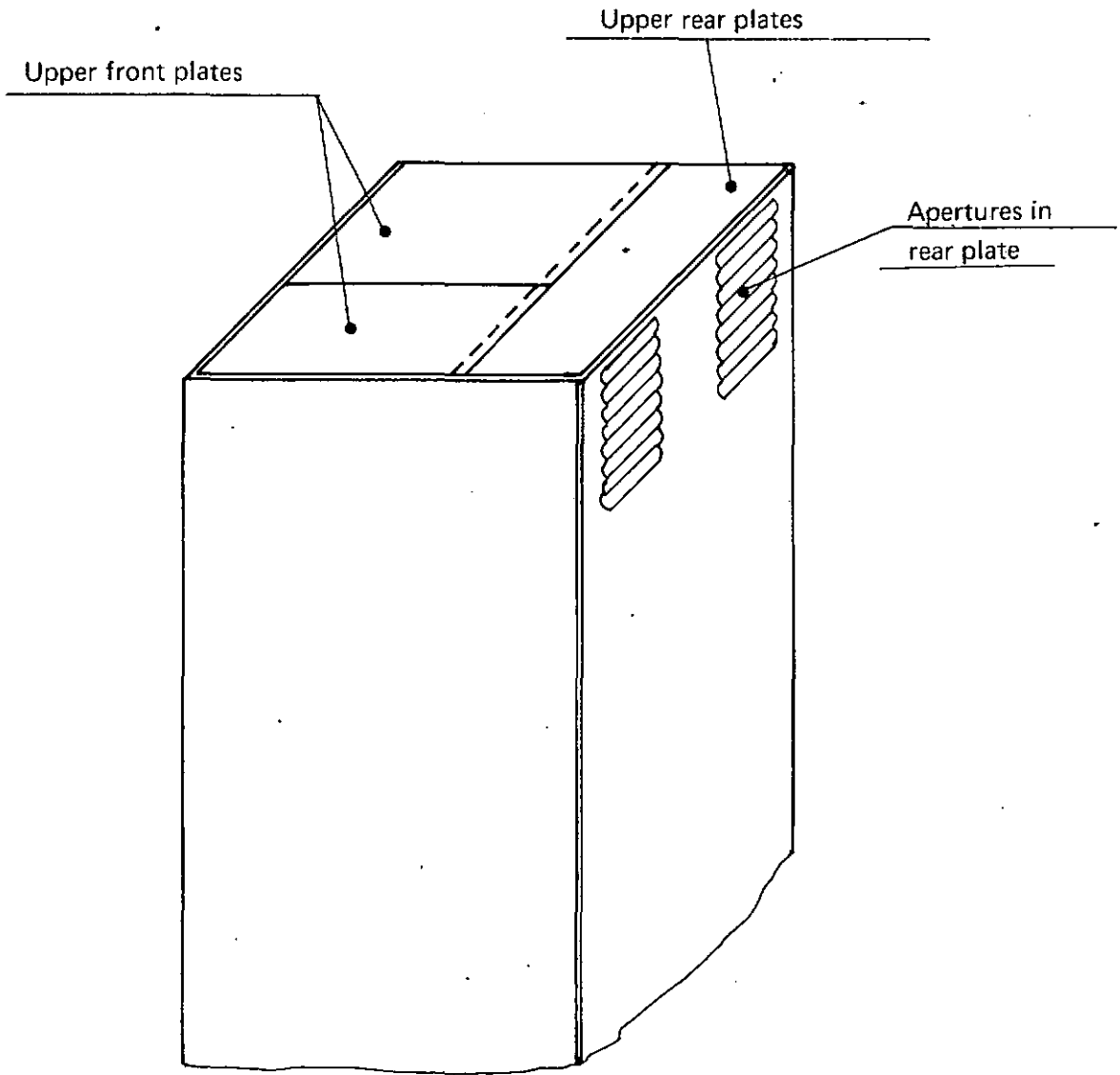
A

B

A

# AERATION PRINCIPLE - CUBICLE N 486

2/14 - 1



Etablissement MACON  
 Etablissement CHALON  
 Etablissement MAISON SAUGERALES  
 Etudes Installations

P4108 A4 3061

Le présent document est la propriété exclusive de "DELLE-ALSTHOM". Remis à titre confidentiel, il ne peut être communiqué à des tiers, ni utilisé ou reproduit, qu'en stricte conformité d'autorisations expresses préalables.

This document is the sole property of "DELLE-ALSTHOM". It is submitted on a confidential basis and may not be passed on the third parties, used or reproduced except in exact accordance with prior express permission.

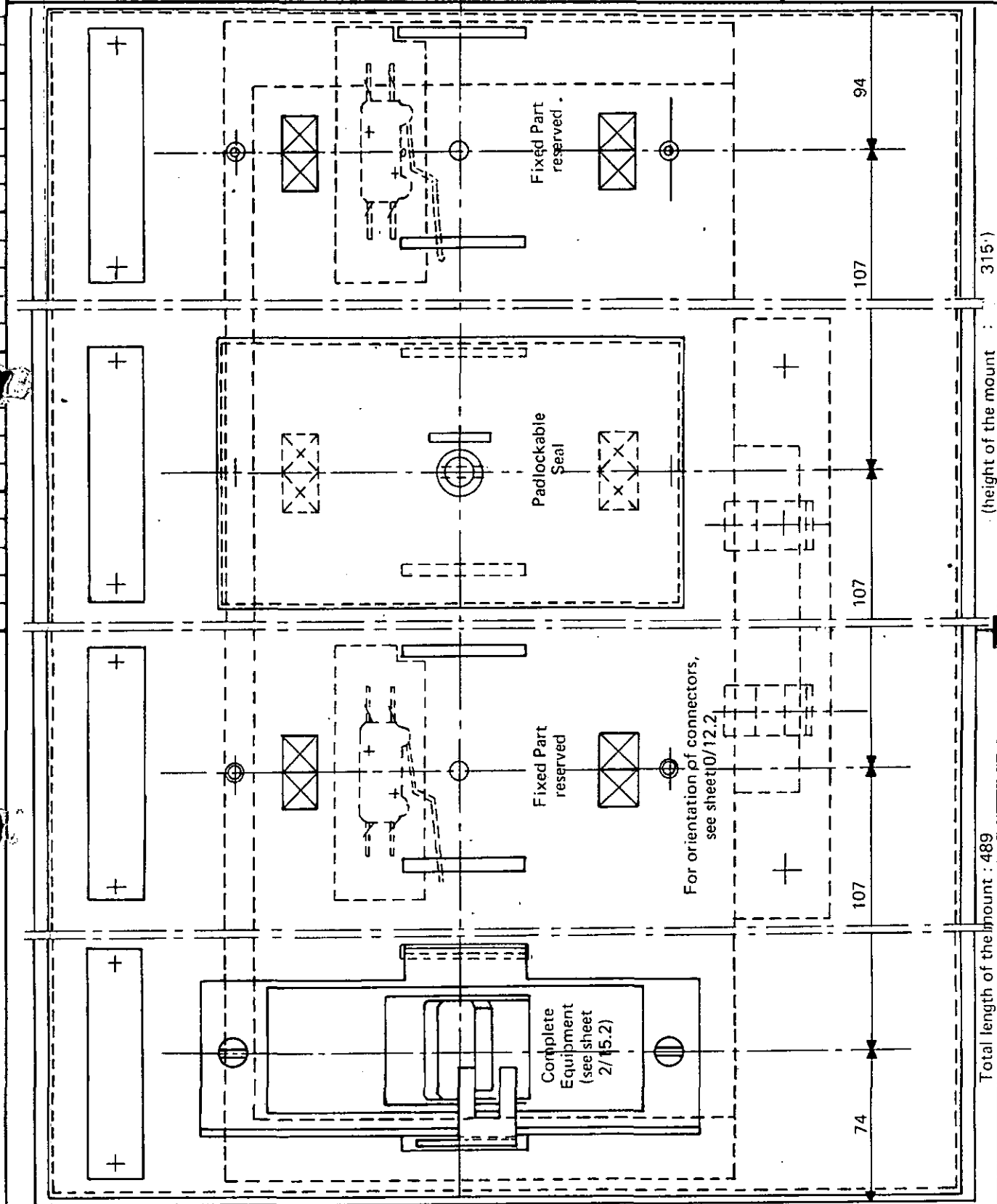
C	21.6.82	updated		KBA.12.17 L00 052
Ø				29/108
ÉTABLI PAR : ETELEC		LE : 6 79	VÉRIFIÉ PAR :	NUMÉRO
PREPARED BY :		ON :	CHECKED BY :	NUMBER
			212041/100	

B

A

# COMPLETE MOUNT For equipment K1 to K7

2/15\_1



Le présent document est la propriété exclusive de "DELLE-ALSTHOM". Remis a titre confidentiel, il ne peut être communiqué a des tiers, ni utilisé ou reproduit, qu'en stricte conformité d'autorisations expresses préalables.

This document is the sole property of "DELLE-ALSTHOM". It is submitted on a confidential basis and may not be passed on the third parties, used or reproduced except in exact accordance with prior express permission.

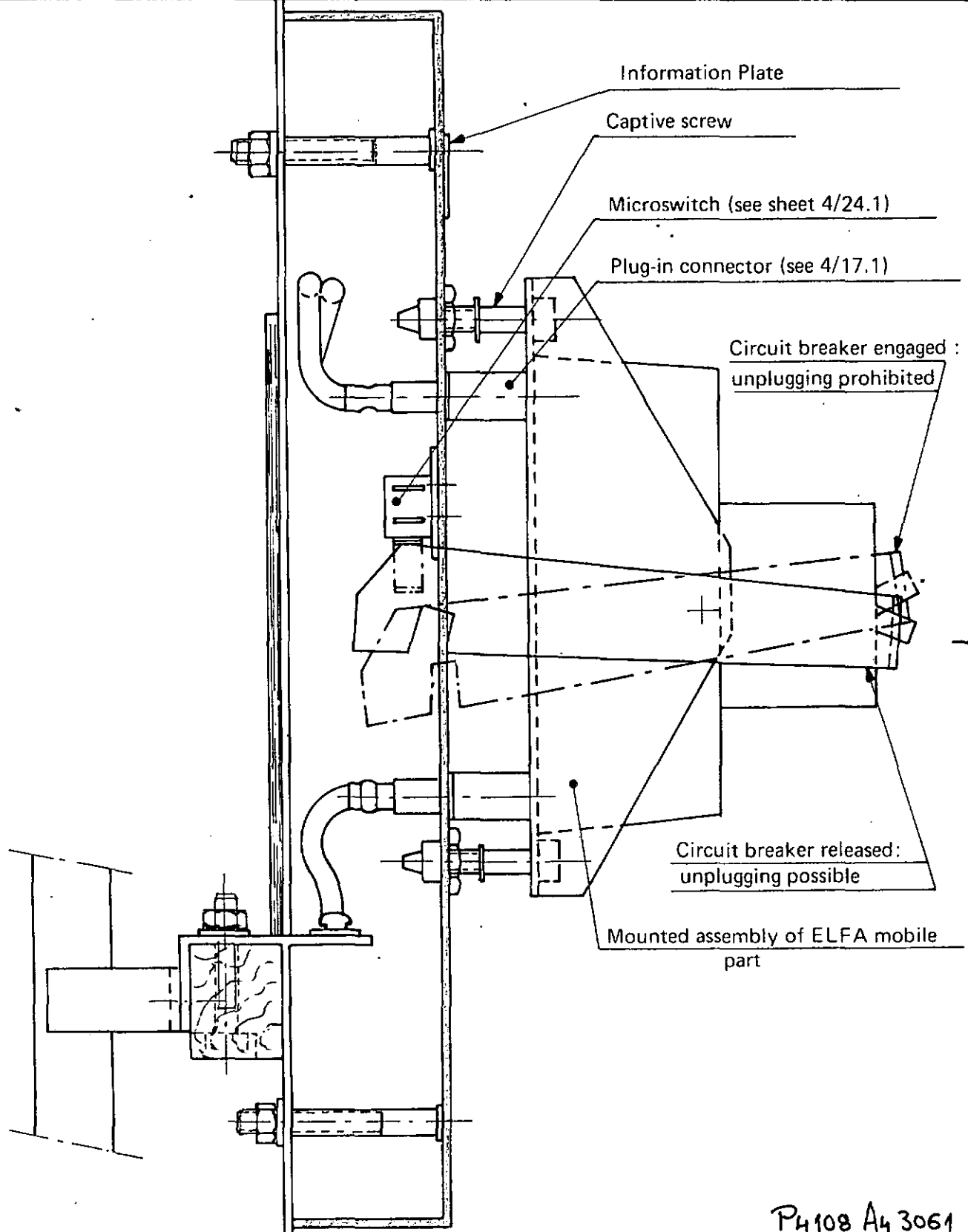
C	21.06.82	Up dated		P4108 A4 3064 KBA 12 17 L00 052
B	23.12.80	Brought up to date		30/108
Ø				
ÉTABLI PAR : ETELEC		LE : 07.79	VÉRIFIÉ PAR :	NUMÉRO
PREPARED BY :		ON :	CHECKED BY :	NUMBER
			212041/100	

Etudes Installations  
 Etudes Installations  
 Etudes Installations

Total length of the mount : 489  
 (height of the mount : 315)

# MOUNTING THE K EQUIPMENT

2/15\_2



P4108 A4 3061

Le présent document est la propriété exclusive de "DELLE-ALSTHOM". Remis à titre confidentiel, il ne peut être communiqué à des tiers, ni utilisé ou reproduit, qu'en stricte conformité d'autorisations expresses préalables.

This document is the sole property of "DELLE-ALSTHOM". It is submitted on a confidential basis and may not be passed on the third parties, used or reproduced except in exact accordance with prior express permission.

C	21.6.82	Up dated		KBA 12 17 L00 052	
Ø					NUMÉRO NUMBER 212 041/100
ÉTABLI PAR : ETELEC PREPARED BY:			LE : 6 79 ON:	VÉRIFIÉ PAR : CHECKED BY:	

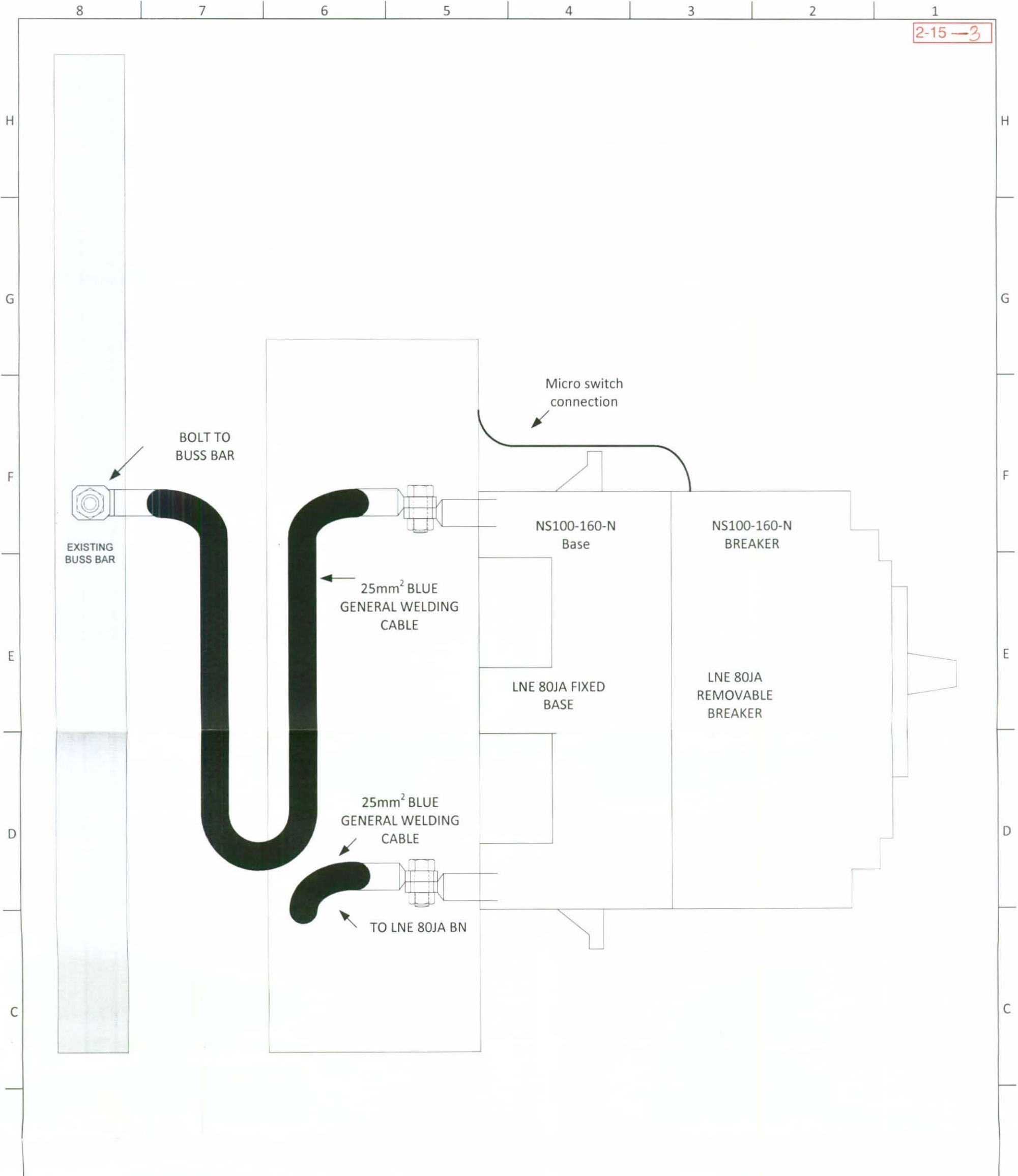
Etudes Installations  
 MACON  
 CHALON  
 MACON Saugerries



Erblissement  
 Erblissement  
 Erblissement

B

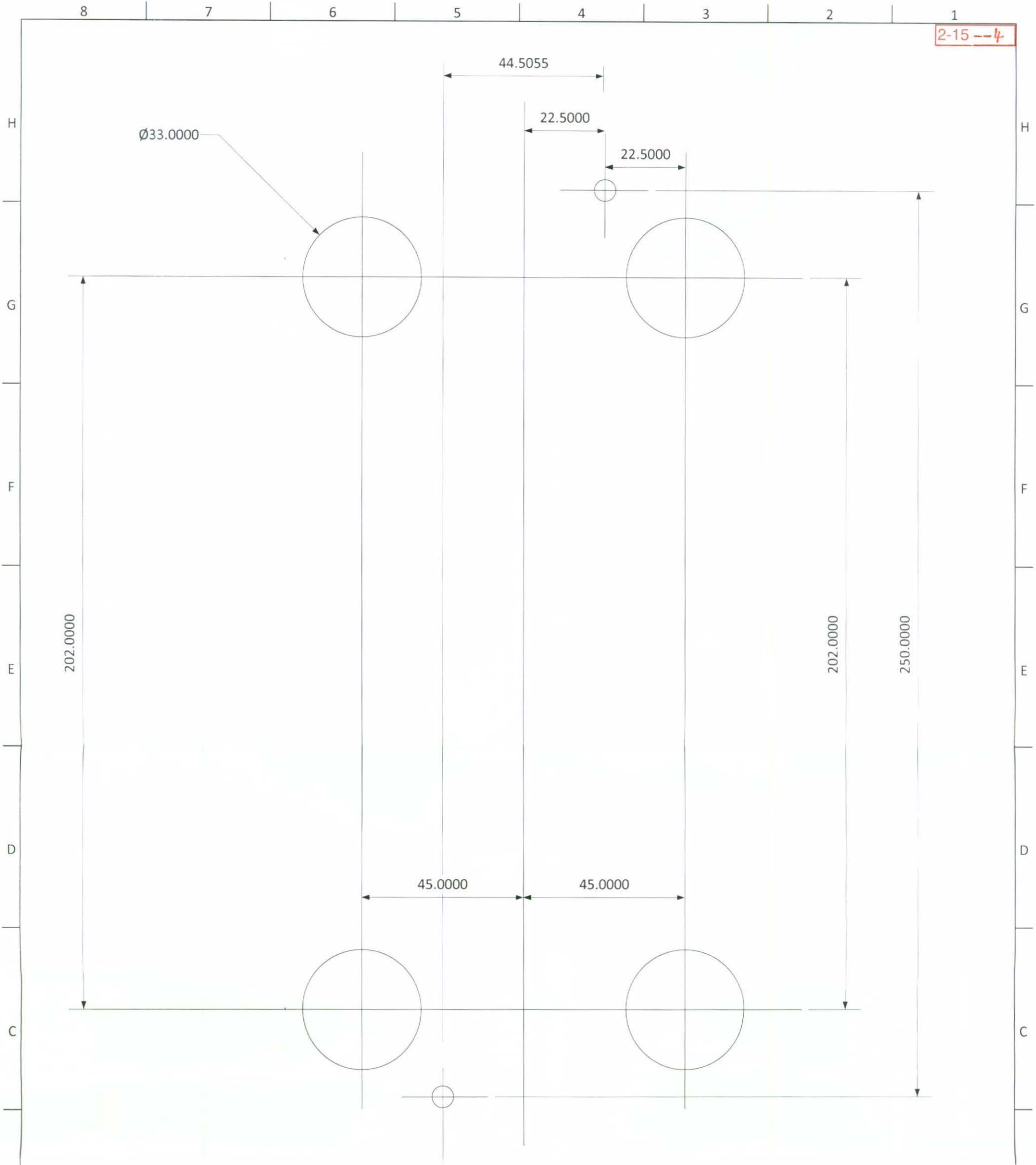
A







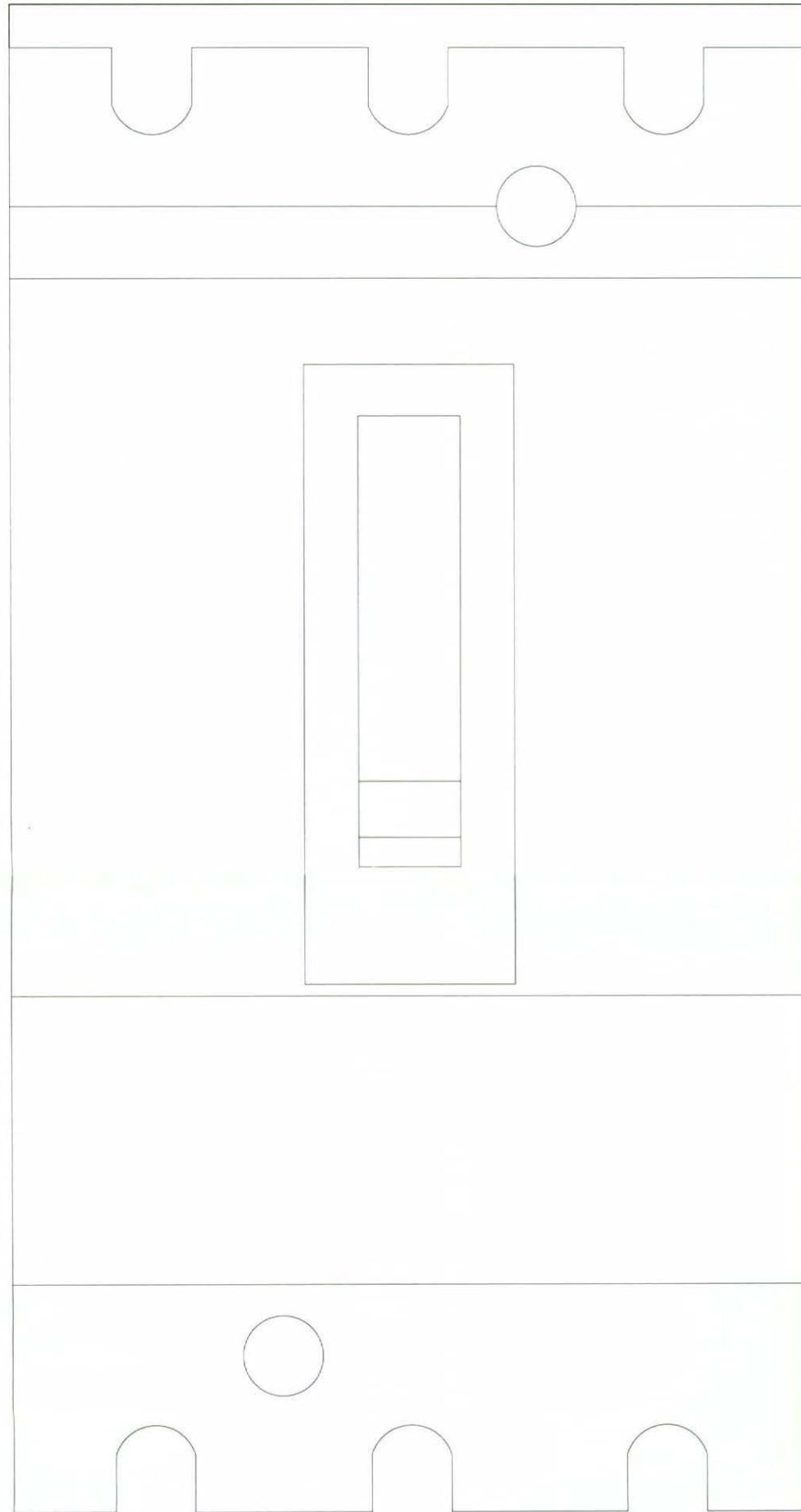
 <b>Nuclear Consultants International</b>	CLIENT:	Westinghouse Electric Company LLC 		
	Project No.	JN432	DWG No.	
CHKD	Drawing Description:	MG NS 100-160N LNE 080JA Mounting SIDE VIEW		PAGE
DATE:	DRAWN BY:	CLJB	Rev.	32
SCALE:	N.T.S.	DATE:	2011/07/21	OF 108
				Z1



THIS DRAWING CONTAINS COPYRIGHT INFORMATION WHICH MAY NOT BE DISCLOSED WITHOUT WRITTEN CONSENT OF THE COPYRIGHT HOLDER



		CLIENT:	Westinghouse Electric Company LLC 		
		Project No.	JN432	DWG No.	
CHKD		Drawing Description:	MG NS 100-160N LNE 080JA Mounting CUT-OUT		PAGE
DATE:		DRAWN BY:	CLJB		Rev.
SCALE:	N.T.S.	DATE:	2011/07/21	33 OF 108	Z1

THIS DRAWING CONTAINS COPYRIGHT INFORMATION WHICH MAY NOT BE DISCLOSED WITHOUT WRITTEN CONSENT OF THE COPYRIGHT HOLDER



 <b>Nuclear Consultants International</b>	CLIENT:	<b>Westinghouse Electric Company LLC</b> 		
	Project No.	JN432	DWG No.	
CHKD	Drawing Description:	MG NS 100-160N LNE 080JA Mounting FRONT VIEW	PAGE	Rev.
DATE:	DRAWN BY:	CLJB	34 OF 108	Z1
SCALE: N.T.S.	DATE:	2011/07/21		
THIS DRAWING CONTAINS COPYRIGHT INFORMATION WHICH MAY NOT BE DISCLOSED WITHOUT WRITTEN CONSENT OF THE COPYRIGHT HOLDER				

B

A

# GROUND FEEDER

2/16\_1

2

2

Multiple drilling, 17 holes  $\varnothing$  8.5  
for grounding the cables

Copper 20x5

Fastening of vertical feeder on the  
cable clamps sections

Flexible braided  
strap

Copper 20x5

P4108 A4 3061

Le présent document est la propriété exclusive de "DELLE-ALSTHOM". Remis à titre confidentiel, il ne peut être communiqué à des tiers, ni utilisé ou reproduit, qu'en stricte conformité d'autorisations expresses préalables.

This document is the sole property of "DELLE-ALSTHOM". It is submitted on a confidential basis and may not be passed on the third parties, used or reproduced except in exact accordance with prior express permission.

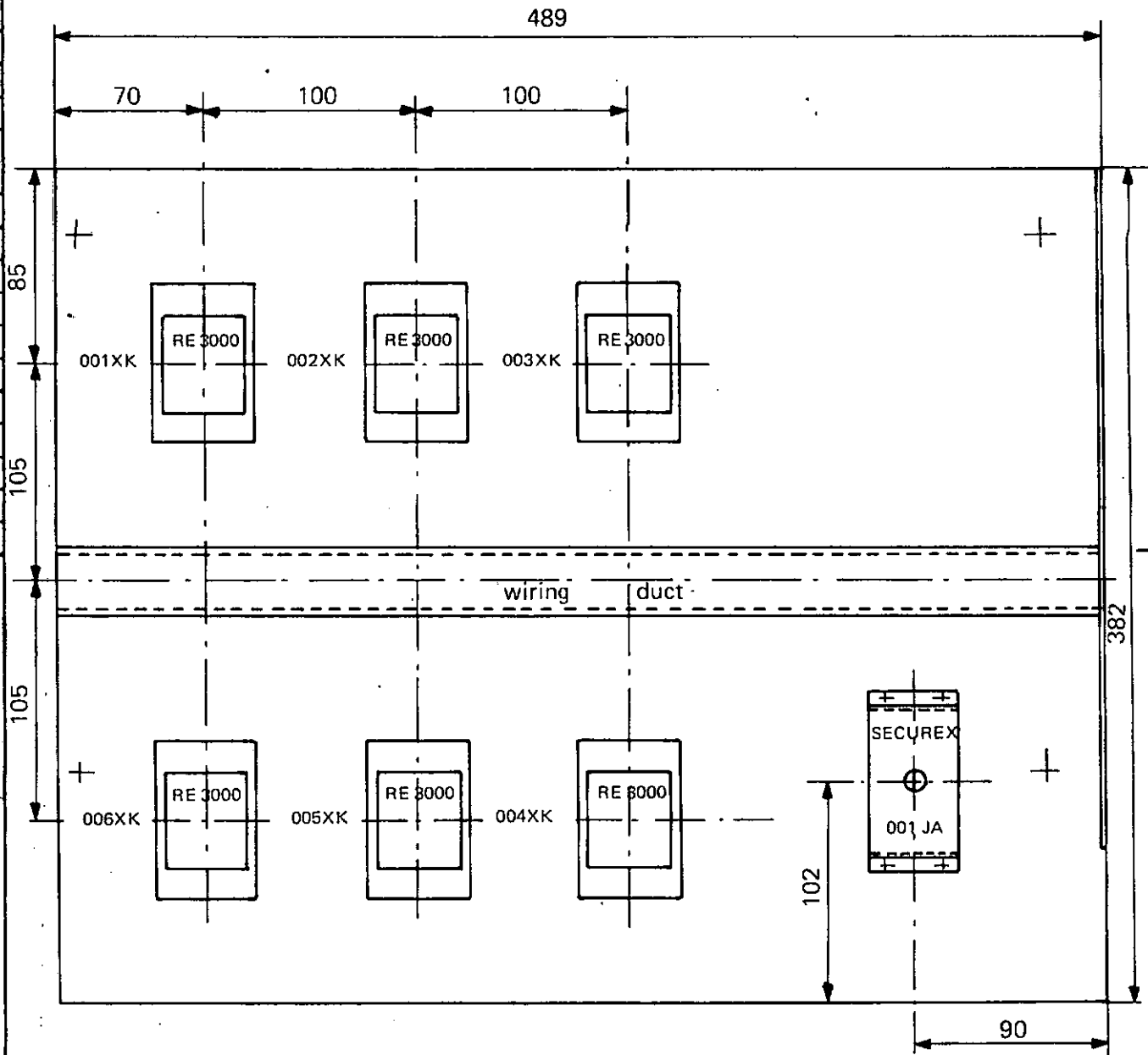
C	21.6.82	Up dated	<b>DELLE ALSTHOM</b>	KBA 12 17 L00 052
ÉTABLI PAR PREPARED BY:	ETELEC	LE : 6 79 ON:	VÉRIFIÉ PAR : CHECKED BY:	NUMÉRO NUMBER 212041/100
				35/108

Etablissement  
 Etudes Installations  
 MACON  
 CHALON  
 MCON Saugeraires

# RELAY MOUNT

## 1 Inverter Input

2/17-1



Etudes Installations  
 MACON CHALON  
 de MACON Saugerolles  
 Etablissement  
 Etablissem.  
 Etablis.

P4108 AL3061

Le présent document est la propriété exclusive de "DELLE-ALSTHOM". Remis à titre confidentiel, il ne peut être communiqué à des tiers, ni utilisé ou reproduit, qu'en stricte conformité d'autorisations expresses préalables.

This document is the sole property of "DELLE-ALSTHOM". It is submitted on a confidential basis and may not be passed on the third parties, used or reproduced except in exact accordance with prior express permission.

C	21.6.82	Up dated	DELLE ALSTHOM	KBA 1217L00052
Ø			NUMÉRO NUMBER 212041/100	35/108
ÉTABLI PAR : ETELEC		LE : 6 79	VÉRIFIÉ PAR : ON :	
PREPARED BY :			CHECKED BY :	

B

A

B

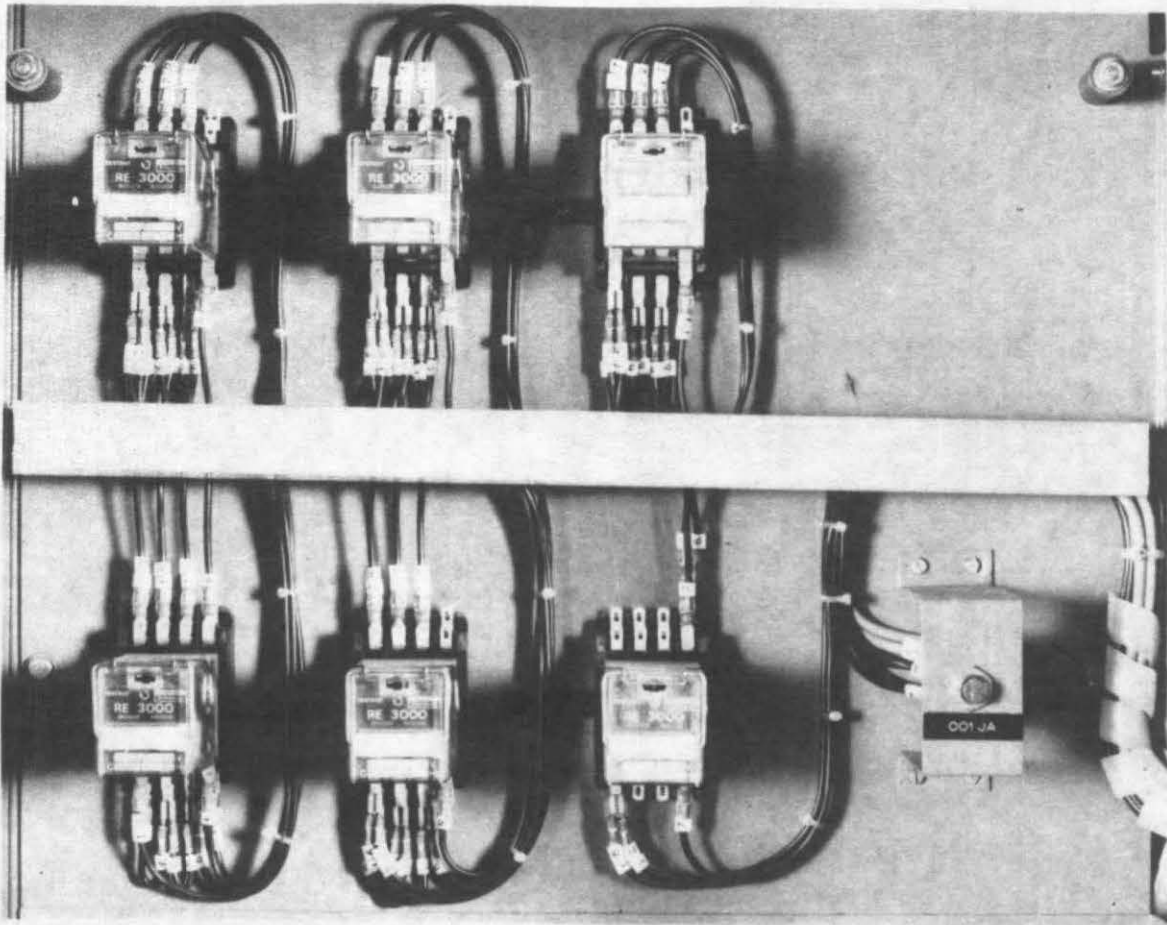
A

# RELAY MOUNT ( 1 Inverter Input )

2 / 17 - 2

2

2



1

Etablissements MACON  
 Etudes Installations CHALON  
 Etablissements MACON Souveraines

PH108 A4 3061

Le présent document est la propriété exclusive de "DELLE ALSTHOM". Remis à titre confidentiel, il ne peut être communiqué à des tiers ni utilisé ou reproduit qu'en stricte conformité d'autorisations expresses préalables.

This document is the sole property of "DELLE ALSTHOM". It is submitted on a confidential basis and may not be passed on the third parties, used or reproduced except in exact accordance with prior express permission.

C	21.6.82	up dated	<b>DELLE ALSTHOM</b>	KBA12 17 L00 052
ETABLI PAR PREPARED BY	ETELEC	LE 07 79 ON	VÉRIFIÉ PAR CHECKED BY	NUMÉRO NUMBER 212 041/100
				37 / 108

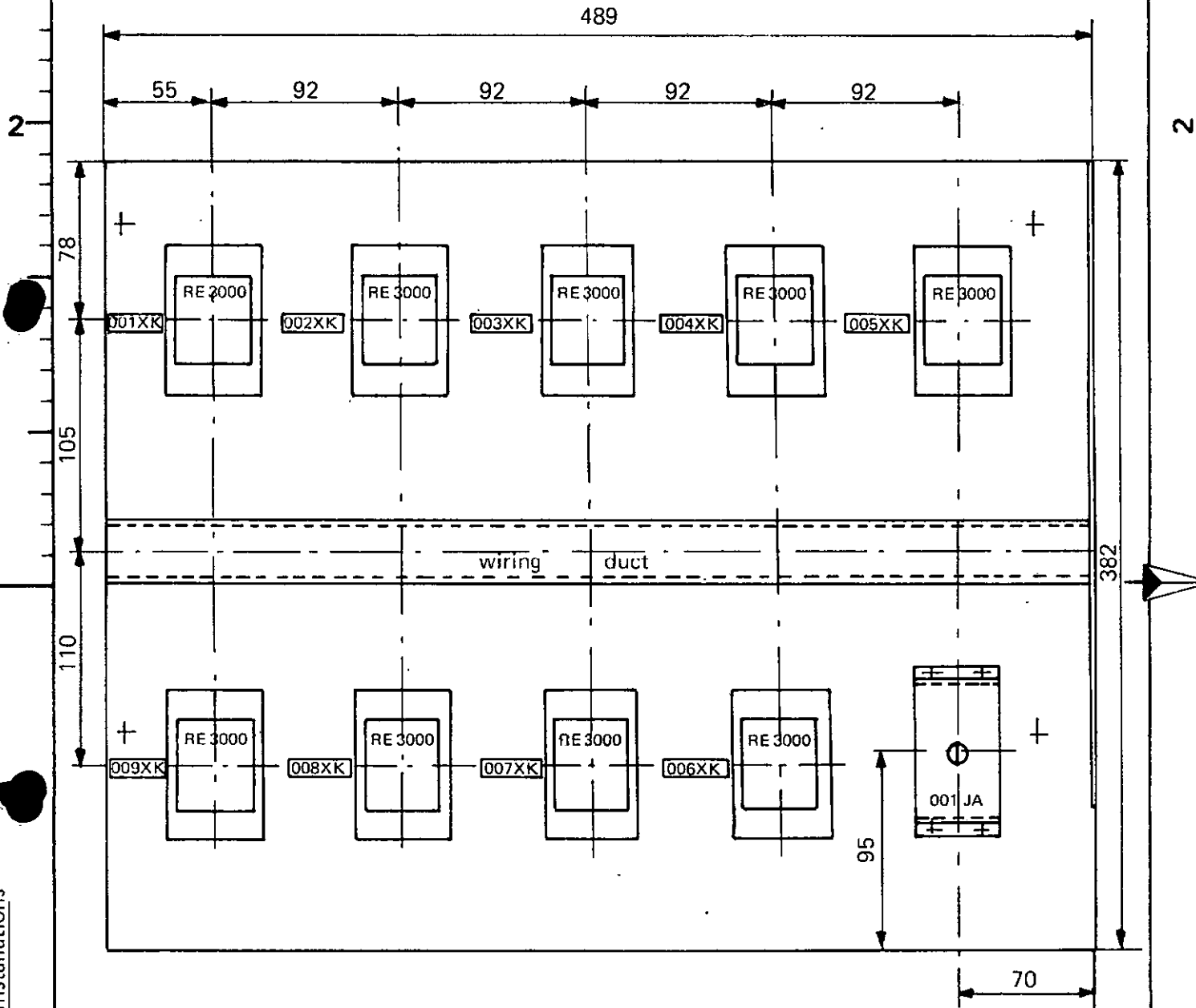
B

A



# RELAY MOUNT (3 Inverter Inputs)

2/17-3



Etudes Installations  
 MACON  
 CHALON  
 Saugeraires

PH108 AH 3061

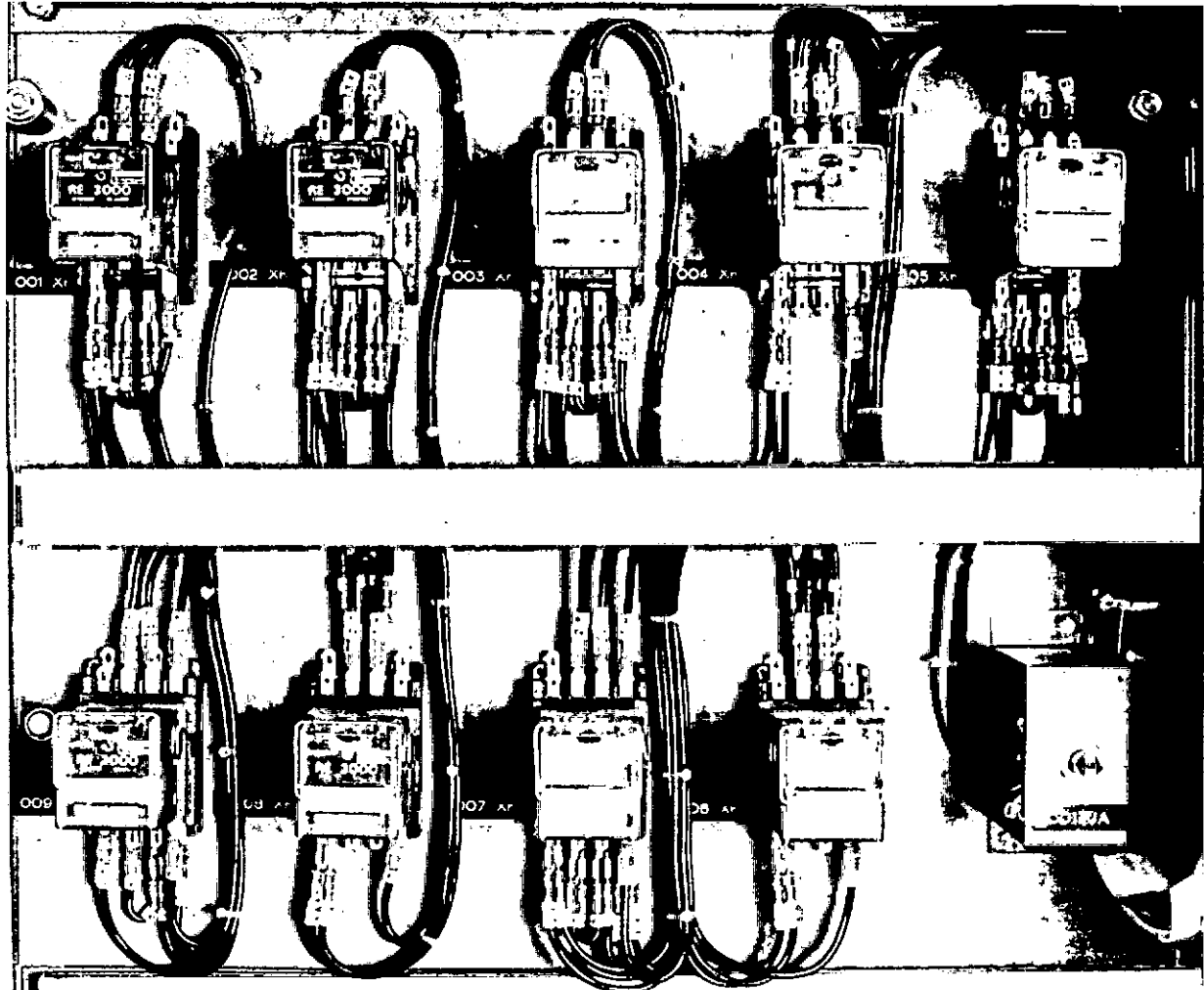
Le présent document est la propriété exclusive de "DELLE-ALSTHOM". Remis à titre confidentiel, il ne peut être communiqué à des tiers, ni utilisé ou reproduit, qu'en stricte conformité d'autorisations expresses préalables.

This document is the sole property of "DELLE-ALSTHOM". It is submitted on a confidential basis and may not be passed on the third parties, used or reproduced except in exact accordance with prior express permission.

C	21.6.82	Updated	<b>DELLE-ALSTHOM</b>	KBA 12 17 L00 052
B				38/108
ÉTABLI PAR : ETELEC		LE : 6 79	VÉRIFIÉ PAR :	NUMÉRO
PREPARED BY :		ON :	CHECKED BY :	NUMBER 212041/100

RELAY MOUNT  
(3 Inverter Inputs)

2 / 17 - 4



Etablissements de MACON  
 Etudes Installations  
 Etablissements CHALON  
 Etablissements MACON Saugerues  
 1

P4108 A4 3061

Le présent document est la propriété exclusive de DELLE ALSTHOM. Révisé à titre confidentiel. Il ne peut être communiqué à des tiers ni utilisé ou reproduit qu'en stricte conformité à autorisations expressees préalables.

This document is the sole property of DELLE ALSTHOM. It is submitted on a confidential basis and may not be passed on the third parties, used or reproduced except in exact accordance with prior express permission.

C	21.6.82	Up dated		KBA 12 17 L00 052
B				39/108
ETABLI PAR PREPARED BY	ETELEC	LE ON	07.79	VERIFIE PAR CHECKED BY
				NUMERO NUMBER
				212041/100

B

A

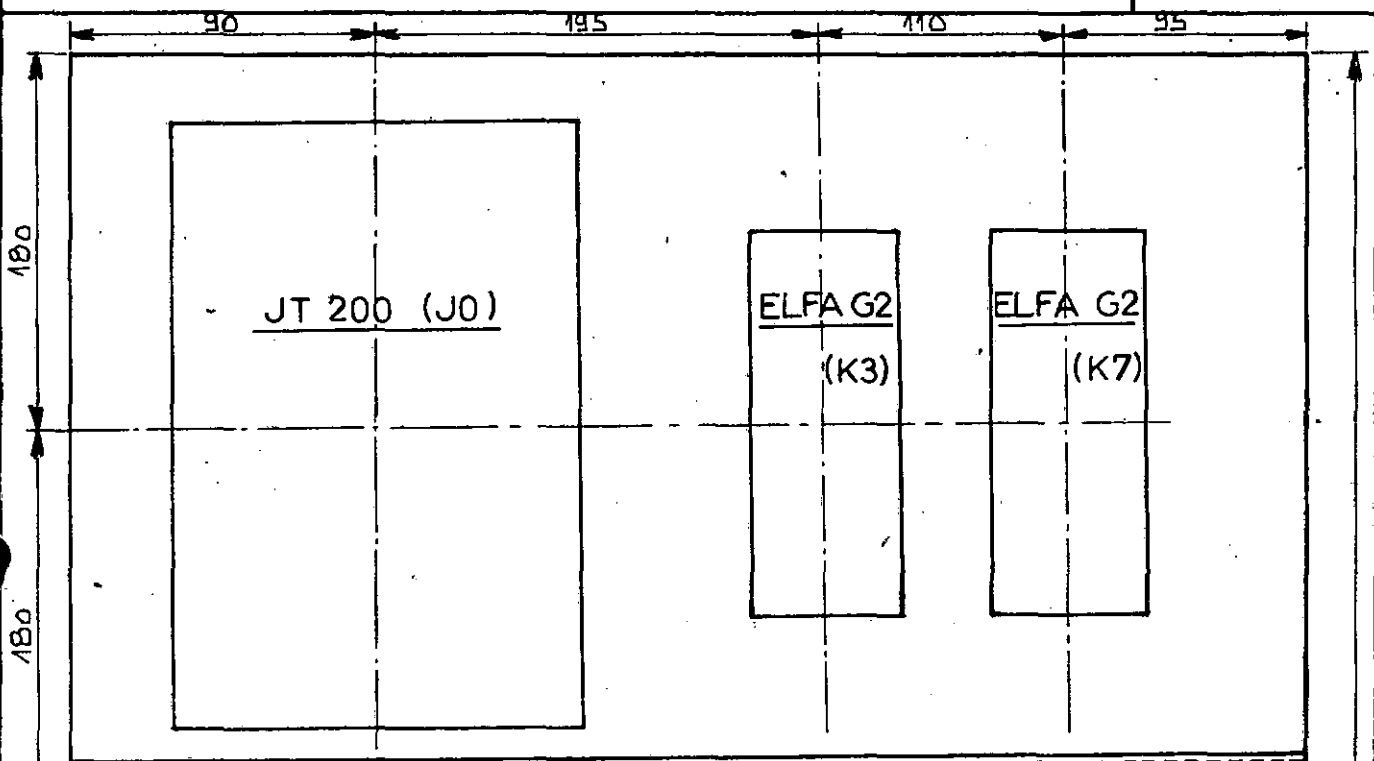


B

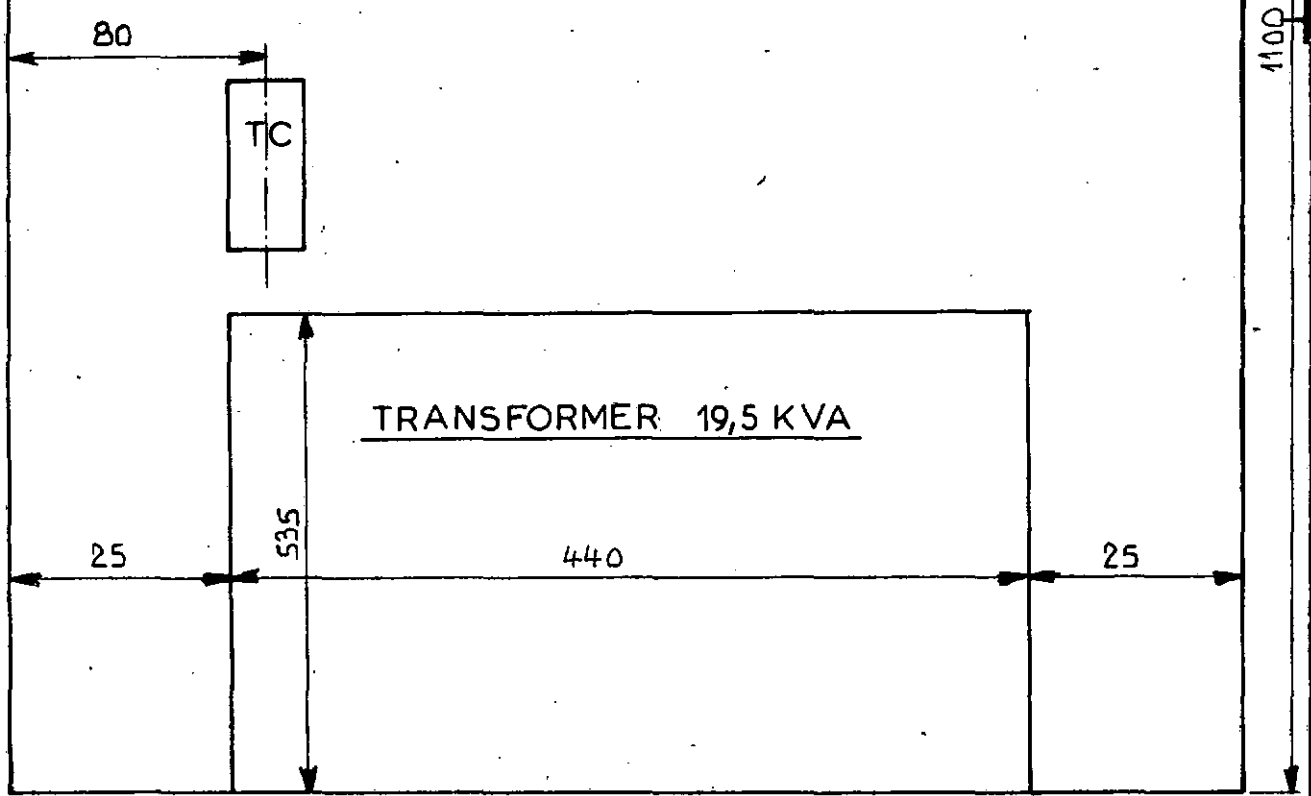
A

# TRANSFORMER INCOMING MOUNT

2/17-5



gaine de filerie



P4108 A4 3061

Le présent document est la propriété exclusive de "DELLE-ALSTHOM". Remis a titre confidentiel, il ne peut être communiqué a des tiers, ni utilisé ou reproduit, qu'en stricte conformité d'autorisations expresses préalables.

This document is the sole property of "DELLE-ALSTHOM". It is submitted on a confidential basis and may not be passed on the third parties, used or reproduced except in exact accordance with prior express permission.

C	21.6.82	Updated
B	23.12.80	Added this sheet
B		
ÉTABLI PAR LACROUTE PREPARED BY		LE12.01.B1 ON
		VÉRIFIÉ PAR : CHECKED BY

**DELLE ALSTHOM**

NUMÉRO : 212 041/100  
NUMBER

KBA 12 17 L00 052

40/100

B

A

Etudes Installat.  
MACHON  
MACHON Saugerries

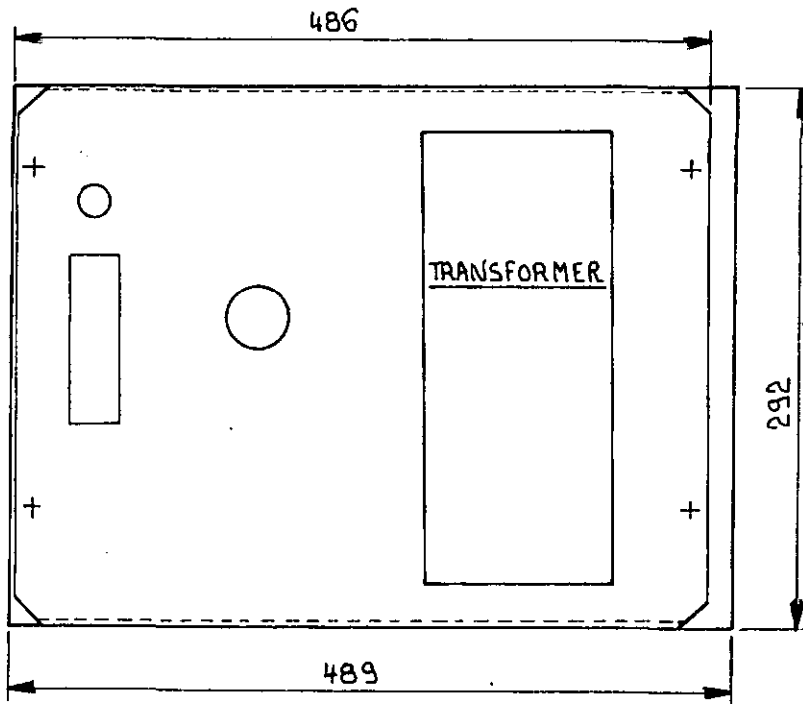
Établi  
Établi  
Établi

B

A

# RECTIFIER 500 VA MOUNT

2/17-6



P4108 A4 3061

Le présent document est la propriété exclusive de "DELLE-ALSTHOM". Remis à titre confidentiel, il ne peut être communiqué à des tiers, ni utilisé ou reproduit, qu'en stricte conformité d'autorisations expresses préalables.

This document is the sole property of "DELLE-ALSTHOM". It is submitted on a confidential basis and may not be passed on the third parties, used or reproduced except in exact accordance with prior express permission.

C	21.6.82	Updated		KBA 12 17 L00 052	
B	23.12.80	Added this sheet			
B					
ÉTABLI PAR : LACROUTE PREPARED BY :		LE : ON :	VÉRIFIÉ PAR : CHECKED BY :	NUMÉRO : 212 041 / 100 NUMBER :	(4) / 108

B

A

Etablissement le MACON  
 Etablissement CHALON  
 Etablissement MACON Sougères

1

2

1

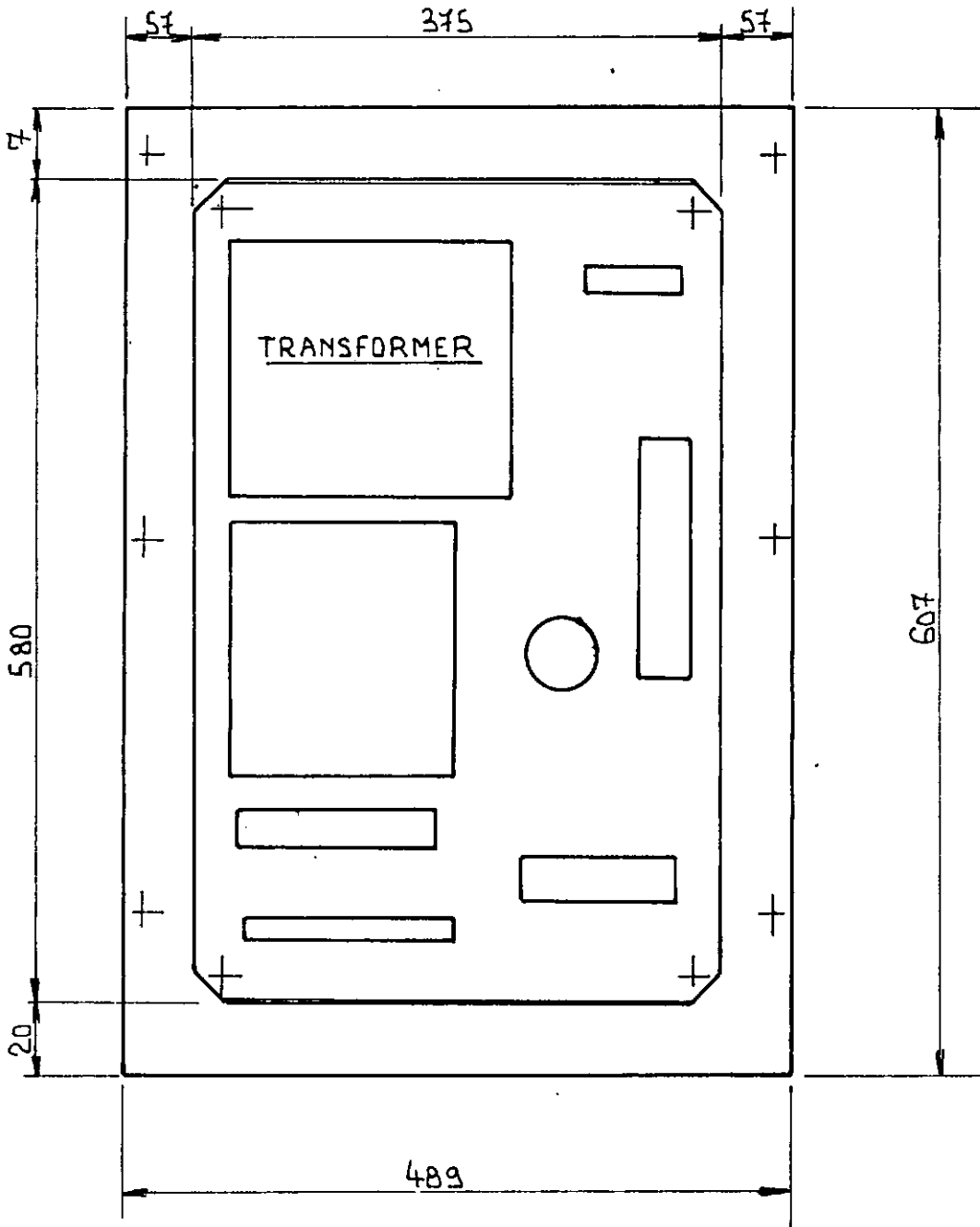
2

B

A

RECTIFIER 1000 VA MOUNT

2/17.7




Etablissement de MACON  
 Etablissement CHALON  
 Etablissement MACON Saugeraires

P4108 A4 3061

Le présent document est la propriété exclusive de "DELLE-ALSTHOM". Remis à titre confidentiel, il ne peut être communiqué à des tiers, ni utilisé ou reproduit, qu'en stricte conformité d'autorisations expresses préalables.

This document is the sole property of "DELLE-ALSTHOM". It is submitted on a confidential basis and may not be passed on to third parties, used or reproduced except in exact accordance with prior express permission.

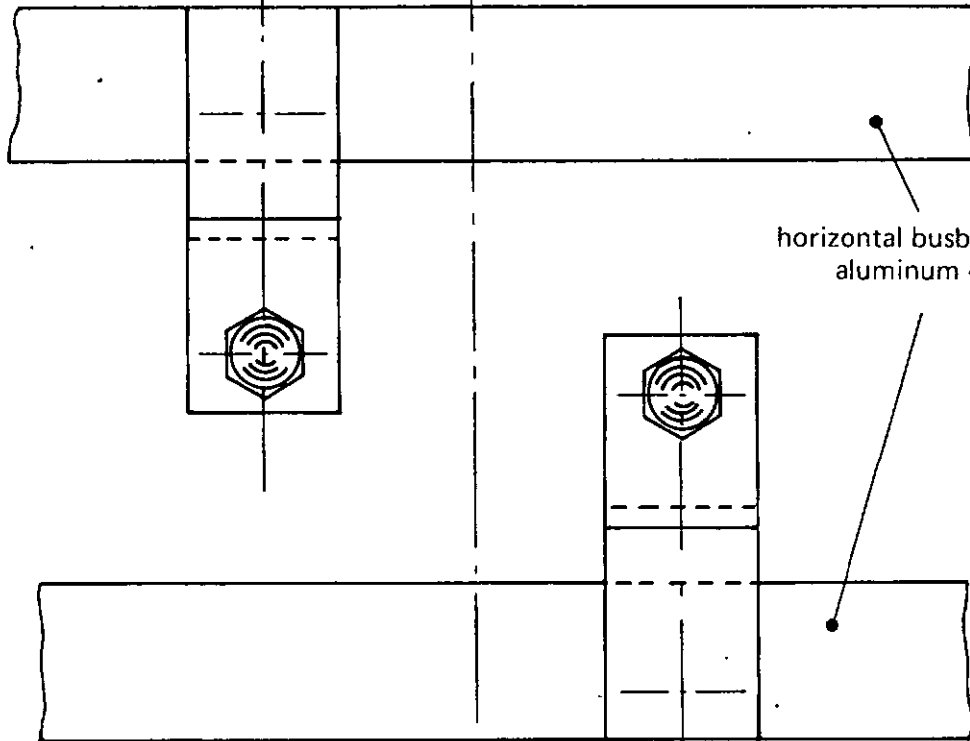
C	21.6.82	UP DATED		KBA 12 17 L 00 052	
B	23.12.80	Added this sheet			
Ø					
ÉTABLI PAR : EDUJON		LE : ON :	VÉRIFIÉ PAR : CHECKED BY :	NUMÉRO NUMBER 212041/100	(42/108)

# GROUNDING OF THE BUSBARS

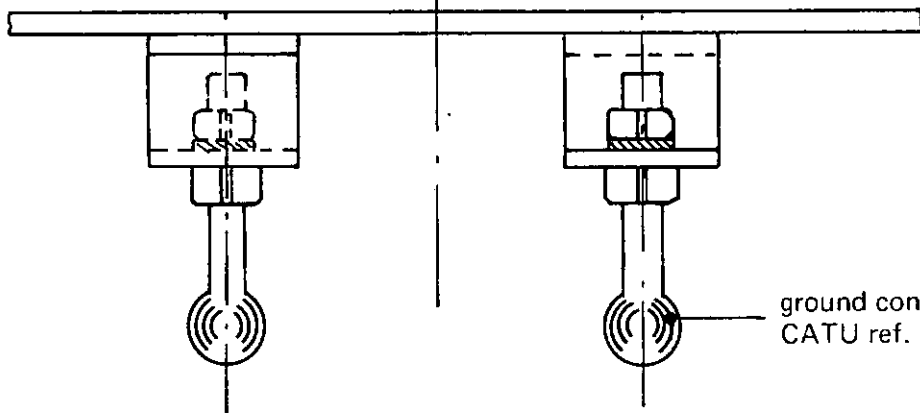
## Mounting at the rear

2/18\_1

rear view



view from above



ground connection  
CATU ref. MT 951/1

P4108A4 3061

Le présent document est la propriété exclusive de "DELLE-ALSTHOM" Remis à titre confidentiel, il ne peut être communiqué à des tiers, ni utilisé ou reproduit, qu'en stricte conformité d'autorisations expresses préalables.

This document is the sole property of "DELLE-ALSTHOM" It is submitted on a confidential basis and may not be passed on the third parties, used or reproduced except in exact accordance with prior express permission.

KBA 12-17 L00 052

43/108

c 21.6.82 Up dated

**DELLE ALSTHOM**  
 NUMÉRO 212041/100  
 NUMBER

ÉTABLI PAR : ETELEC LE : 6 79 VÉRIFIÉ PAR :  
 PREPARED BY : ON : CHECKED BY :

Établissement : MACON  
 Erabissem : CHALON  
 Erabissem : MACON Saugeratés

B

A

B

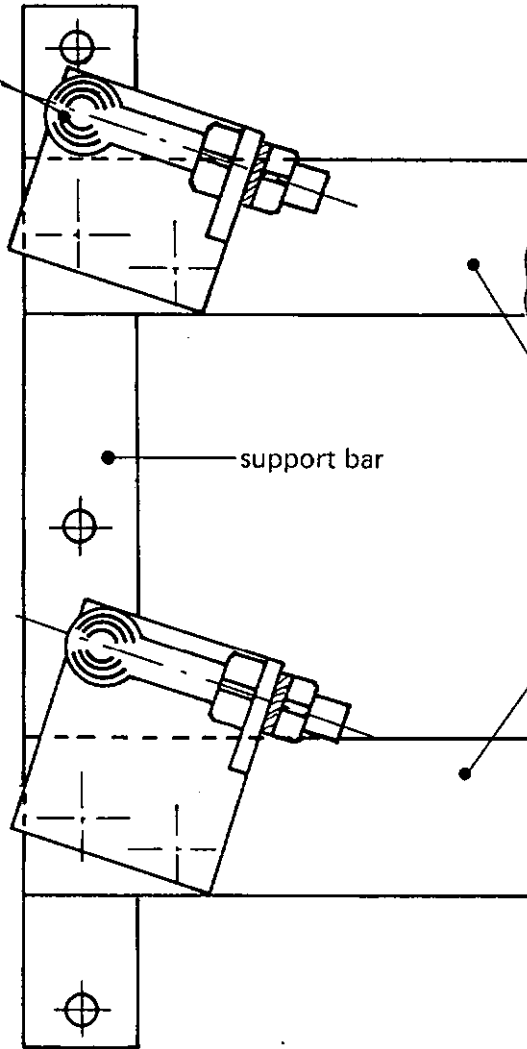
A

# GROUNDING THE BUSBARS

2/18\_2

## Mounting to the left

Ground connection  
CATU Ref.MT951/1



support bar

Horizontal busbars  
(1 aluminum busbar, 40x5)

Etudes Installations

1

MACON Saugeraires

P4108 A4 3061

Le présent document est la propriété exclusive de "DELLE-ALSTHOM" Remis à titre confidentiel, il ne peut être communiqué à des tiers, ni utilisé ou reproduit, qu'en stricte conformité d'autorisations expresses préalables.

This document is the sole property of "DELLE-ALSTHOM" It is submitted on a confidential basis and may not be passed on the third parties, used or reproduced except in exact accordance with prior express permission.

Etablissement  
 Etablissement  
 Etablissement

C	21.6.82	Updated	DELLE ALSTHOM	KBA 1217 L00 052
Ø				44/108
ÉTABLI PAR : ETELEC		LE : 6 79	VÉRIFIÉ PAR :	NUMÉRO 212041/100
PREPARED BY :		ON :	CHECKED BY :	

B

A

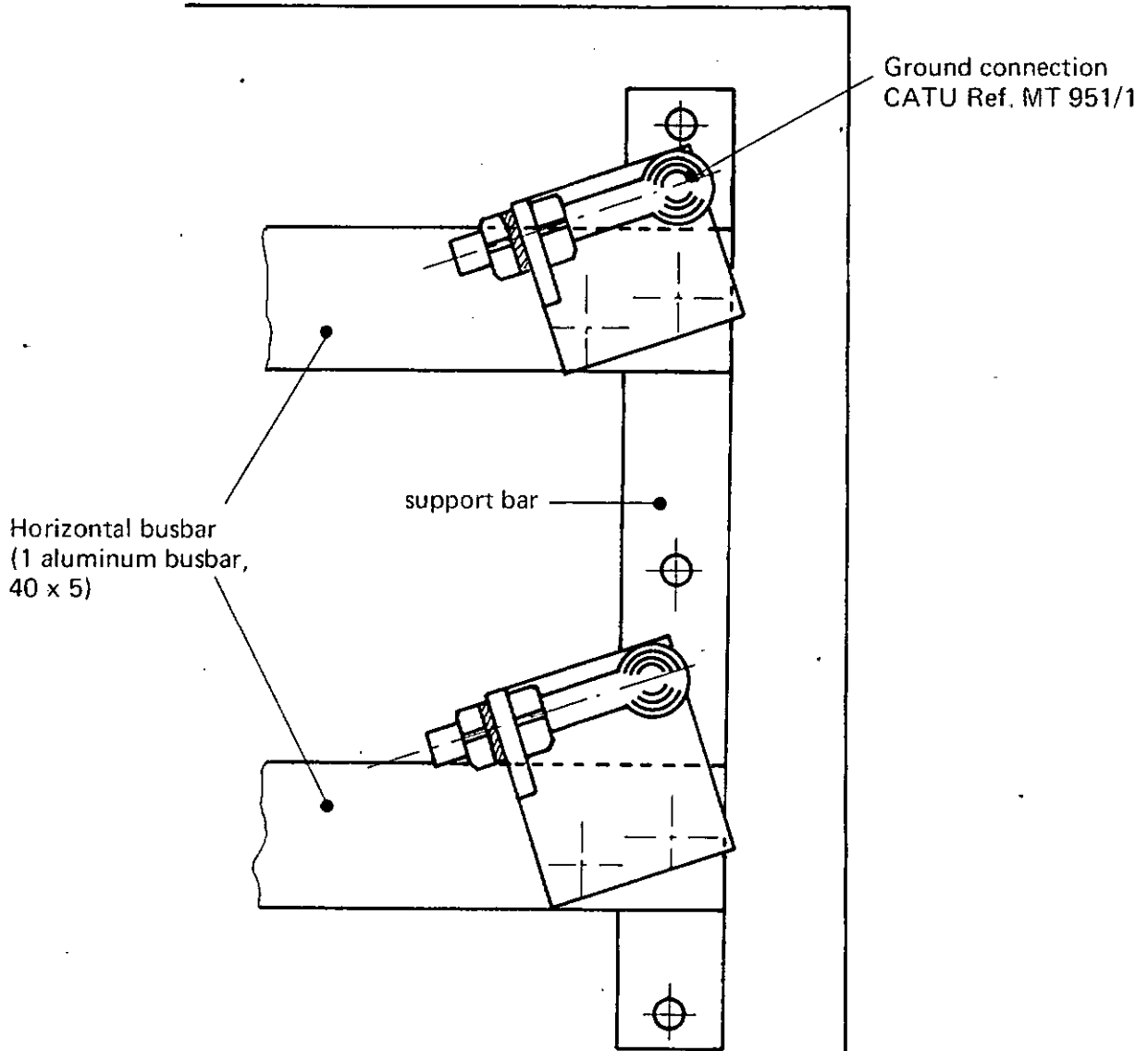
B

A

# GROUNDING OF BUSBARS

Mouting to the right

2/18 -3



Etudes Installations  
1

Etablissement  
 Etablissement  
 Etablissement  
 MACON  
 CHALON  
 MACON Saugerories

PH108 A4 3061

Le présent document est la propriété exclusive de "DELLE-ALSTHOM". Remis à titre confidentiel, il ne peut être communiqué à des tiers, ni utilisé ou reproduit, qu'en stricte conformité d'autorisations expresses préalables.

This document is the sole property of "DELLE-ALSTHOM". It is submitted on a confidential basis and may not be passed on the third parties, used or reproduced except in exact accordance with prior express permission.

C	21.6.82	Updated	DELLE ALSTHOM	KBA 12 17 L00 052
Ø			NUMÉRO NUMBER 212041/100	(45/108)
ÉTABLI PAR : ETELEC PREPARED BY :		LE : 6 79 ON :	VÉRIFIÉ PAR : CHECKED BY :	

B

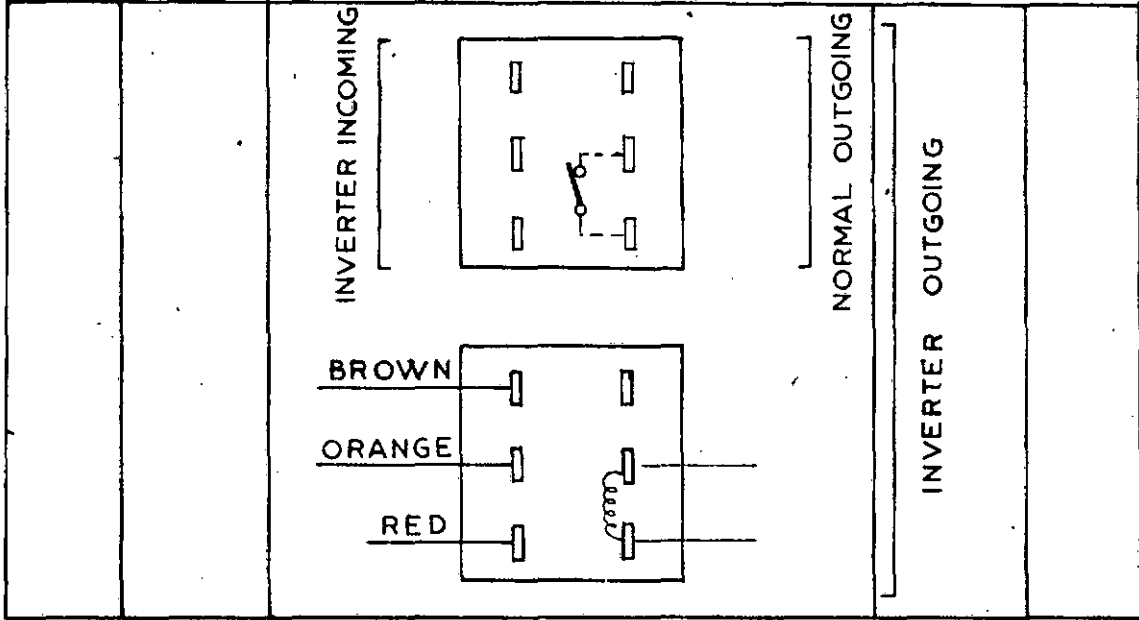
A

B

A

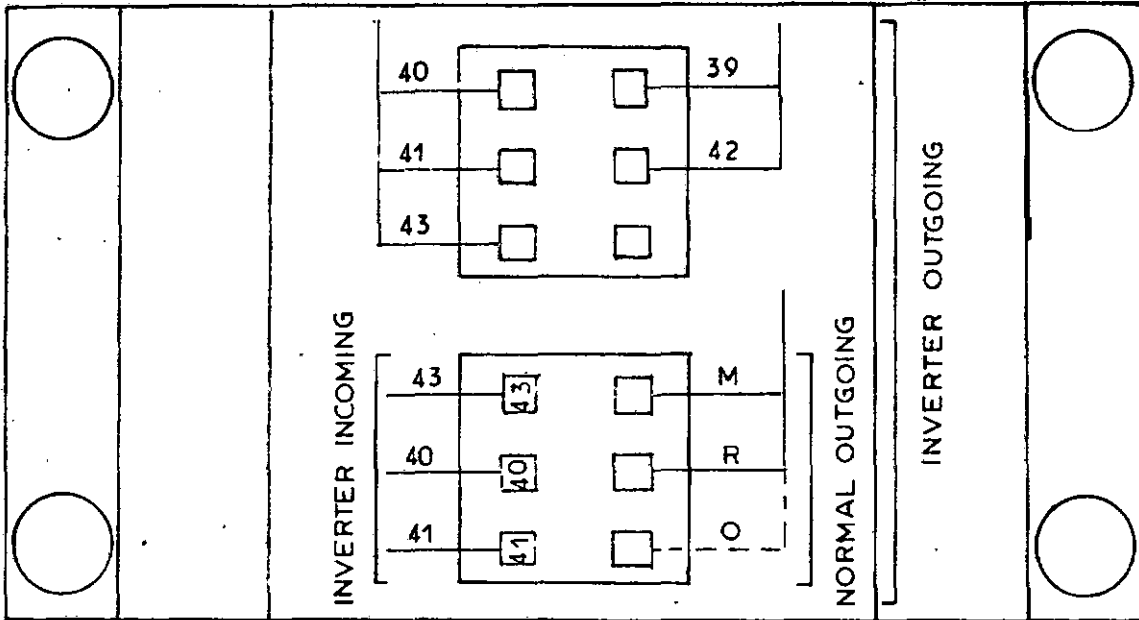
# MARKS FOR CIRCUIT BREAKERS TERMINALS FROM TYPE J1 OR J4

2/19 -1



WIRING FOR DT MOVABLE PARTS

BACK VIEW



WIRING FOR DT FIXED PARTS

FRONT VIEW

P4108 A4 3061

Le present document est la propriété exclusive de "DELLE ALSTHOM". Remis a titre confidentiel, il ne peut être communiqué a des tiers ni utilisé ou reproduit qu'en stricte conformité d'autorisations expressees prealables.

This document is the sole property of "DELLE ALSTHOM". It is submitted on a confidential basis and may not be passed on to the third parties, used or reproduced except in exact accordance with prior express permission.

C	M.6.82	Updated		KBA 12 17 L00052
B	23.12.80	Brought up to date		
Ø			NUMERO NUMBER 212041/100	46 108
ETABLI PAR Gressard LE 25.6.80		VÉRIFIÉ PAR		
PREPARED BY ON		CHECKED BY		

B

A

Erabilis  
 Erabil  
 Erabilis  
 de MACON  
 le CHALON  
 MACON Saugeraires

2

2

1

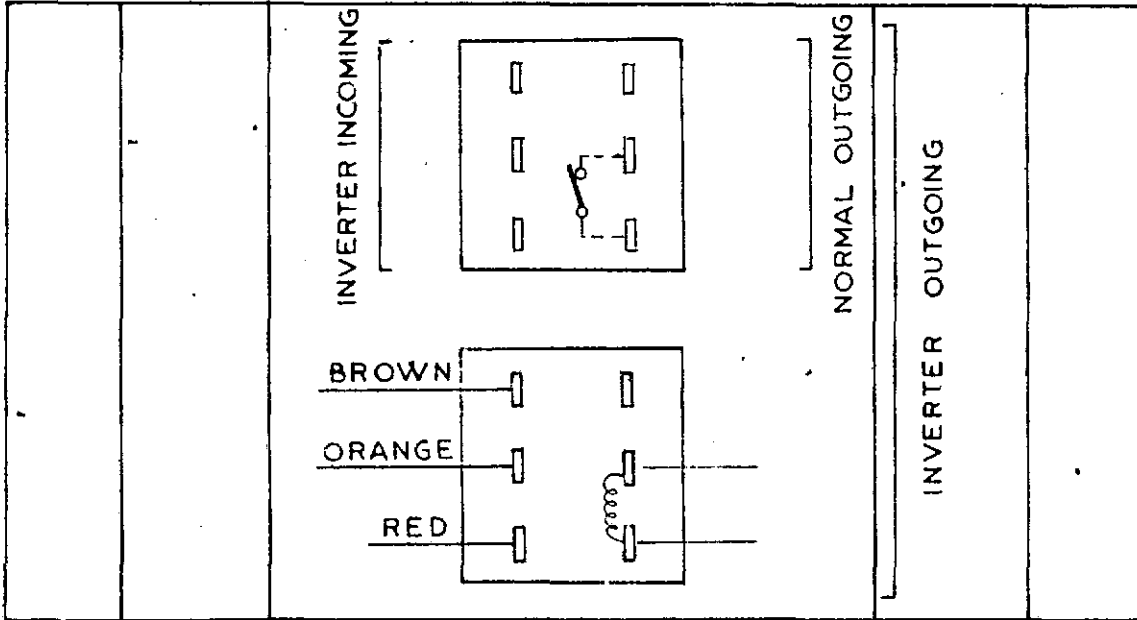
1

B

A

# MARKS FOR CIRCUIT BREAKERS TERMINALS FROM TYPE JO

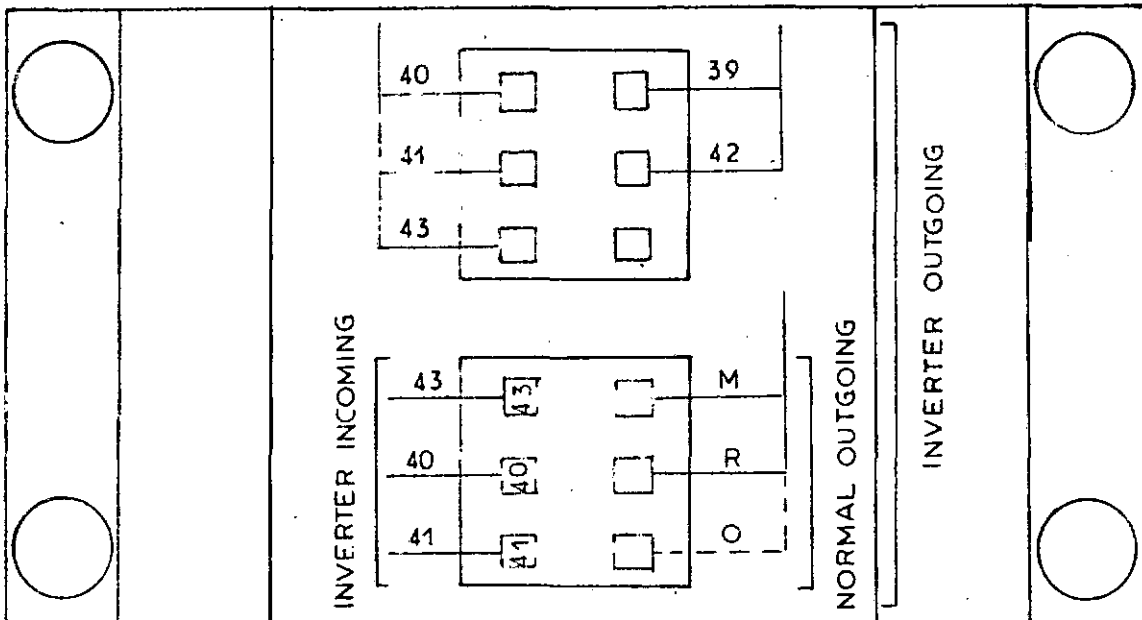
2/20-1



WIRING FOR DT MOVABLE PARTS

BACK VIEW

2



WIRING FOR DT FIXED PARTS

FRONT VIEW

1

P4108 A4 3061

Le present Document est la propriété exclusive de DELLE ALSTHOM. Rien n'est autorisé sans autorisation préalable à le divulguer à des tiers ni à utiliser ou reproduire, même strictement confidentiel, sans l'express préautorisation

This document is the sole property of DELLE ALSTHOM. It is submitted on a confidential basis and may not be passed to the third parties, used, reproduced, except in exact accordance with prior express permission

- Etablissement de MACON
- Etablissement CHALON
- Etablissement MACON Saugeraires

C	21.6.82	Up dated
0		
ETABLISSEMENT Gressard	LE 25.6.80	VÉRIFIÉ PAR
PREFÉRÉ D	ON	CHEFFÉ BY
DELE ALSTHOM		NUMERO 212041/100

KBA 12 17 L00 052  
(47)/108



# OPERATING CURVE OF RELEASES

3

10 - 1

Table for checking the thermal and magnetic release

10 - 2

Operating curve - Equipment K1

10 - 3

" " " K2

10 - 4

" " " K3

10 - 5

" " " K4

10 - 6

" " " K5

10 - 7

" " " K6

10 - 8

" " " K7

11 - 1

" " " J1

11 - 2

" " " J4

2

2

Etudes Installations  
-  
Macon Sougeries  
Macon  
Chalon  
Etablissements

PH108 A4 3061

Le présent document est la propriété exclusive de "DELLE-ALSTHOM". Remis à titre confidentiel, il ne peut être communiqué à des tiers, ni utilisé ou reproduit, qu'en stricte conformité d'autorisations expresse préalables.

This document is the sole property of "DELLE-ALSTHOM". It is submitted on a confidential basis and may not be passed on the third parties, used or reproduced except in exact accordance with prior express permission.

C	21.6.82	up dated		KBA 12 17 L00 052
Ø				48/108
ÉTABLI PAR : ETELEC		LE : 07.79	VÉRIFIÉ PAR :	NUMÉRO : 212041/100
PREPARED BY :		ON :	CHECKED BY :	NUMBER :

# TABLE FOR CHECKING THE THERMAL AND MAGNETIC RELEASE

3/10-1

(As a function of the ambient temperature)

Circuit Breaker Type and Reference	Circuit Breaker Current at 60°C	Corrector coefficient as a function of ambient temperature				
		20°	30°	40°	50°	60°
ELFA G2 K1	2,5	0,73	0,78	0,83	0,89	1
ELFA G2 K2	5	0,73	0,78	0,83	0,89	1
ELFA G2 K3	8	0,73	0,76	0,8	0,88	1
ELFA G2 K4	12	0,71	0,75	0,8	0,88	1
ELFA G2 K5	16	0,73	0,76	0,8	0,88	1
ELFA G2 K6	20	0,71	0,75	0,8	0,88	1
ELFA G2 K7	25	0,7	0,74	0,78	0,86	1
DT200 J1	12,5	0,73	0,78	0,83	0,89	1
DT200 J4	42	0,74	0,78	0,84	0,91	1
MG 100N	90	N/A	N/A	0,95	0,97	1



**Method of use**

- for checking a reference K3 unit
- the ambient temperature is 20°C
- the test current is: for example 50 A
- the 50 A is multiplied by 0.73 which gives 36.5 A
- for this value of 36.5 A brought onto the equipment type K3 curve, there is a corresponding operating time (page 3/10.4) of from 1 to 5.2 seconds.

P4108.A4.3061

*This document is the sole property of "DELLE ASLSTHOM". It is submitted on a confidential basis and may not be passed on the third parties, used or reproduced except in exact accordance with prior express permission.*

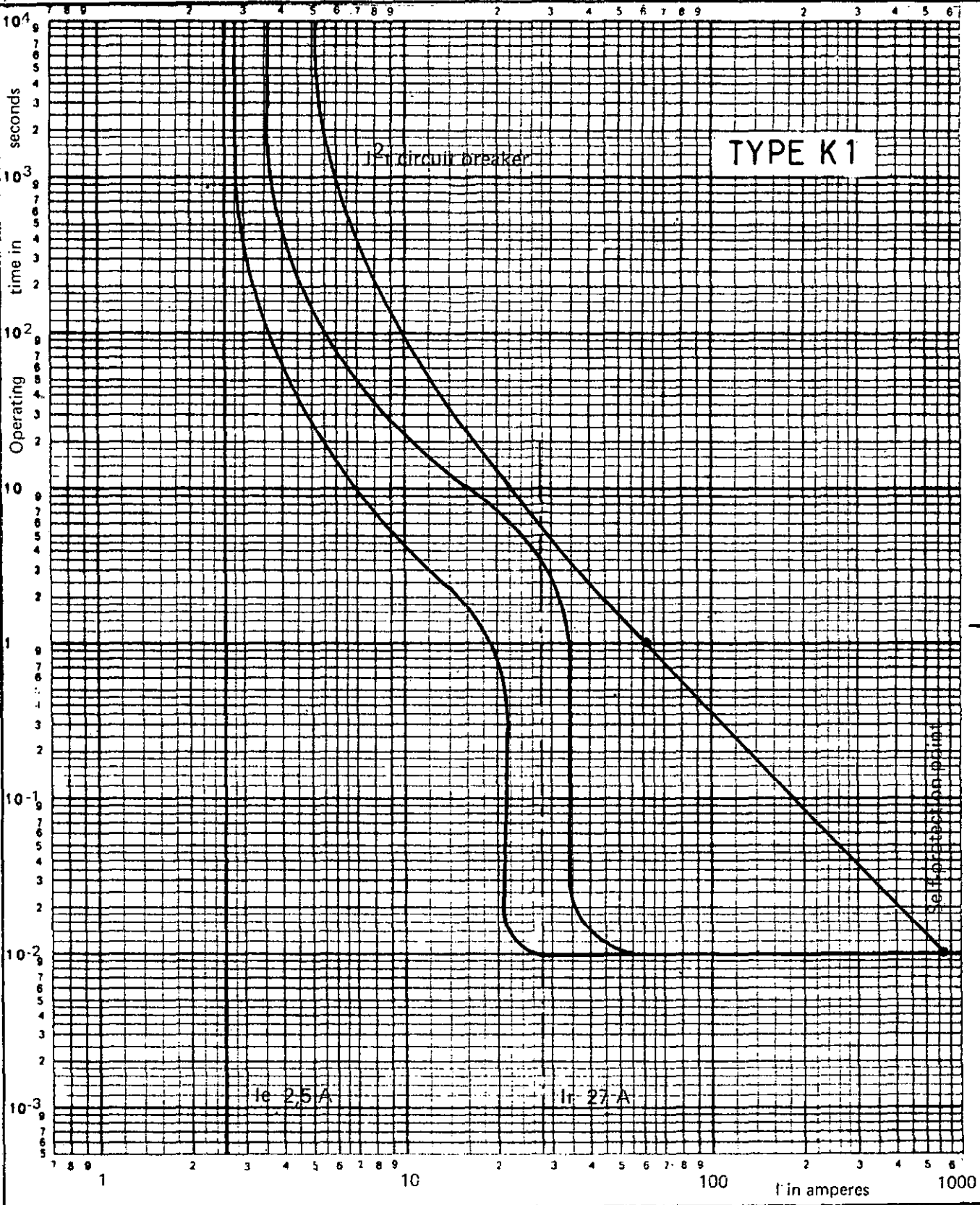
				CONTRACTOR MEMBER		<b>ALSTHOM</b> NUMBER 212041/100															
Z1	YK	2012-06-26	MOD. 00042C; DDR 1248/11			CONTRACTOR MEMBER DWG No.		KBA.12.17.L.OO.052													
C		1982-06-21	UPDATED																		
REV	DR. by	DATE	MODIFICATIONS																		
DWG No.	<b>KBA</b>		1	2	1	7	L	O	O	0	5	2		A	0	2	9	L	S	R	49/108

B

A

# ZONE OF OPERATION OF THE MAGNETIC AND THERMAL RELEASES AT 60°C\_Rating 3 A

3/10-2



Le présent document est la propriété exclusive de "DELLE-ALSTHOM". Remis a titre confidentiel, il ne peut être communiqué a des tiers, ni utilisé ou reproduit, qu'en stricte conformité d'autorisations expressees prealables.

This document is the sole property of "DELLE-ALSTHOM". It is submitted on a confidential basis and may not be passed on the third parties, used or reproduced except in exact accordance with prior express permission.

C	21.6.82	Up dated		P4108 A4 3061 KBA 12 17 L00 052 50/108
Ø				
	LE : 6 79	VÉRIFIÉ PAR :	NUMÉRO	
	ON :	CHECKED BY :	NUMBER	212041/100

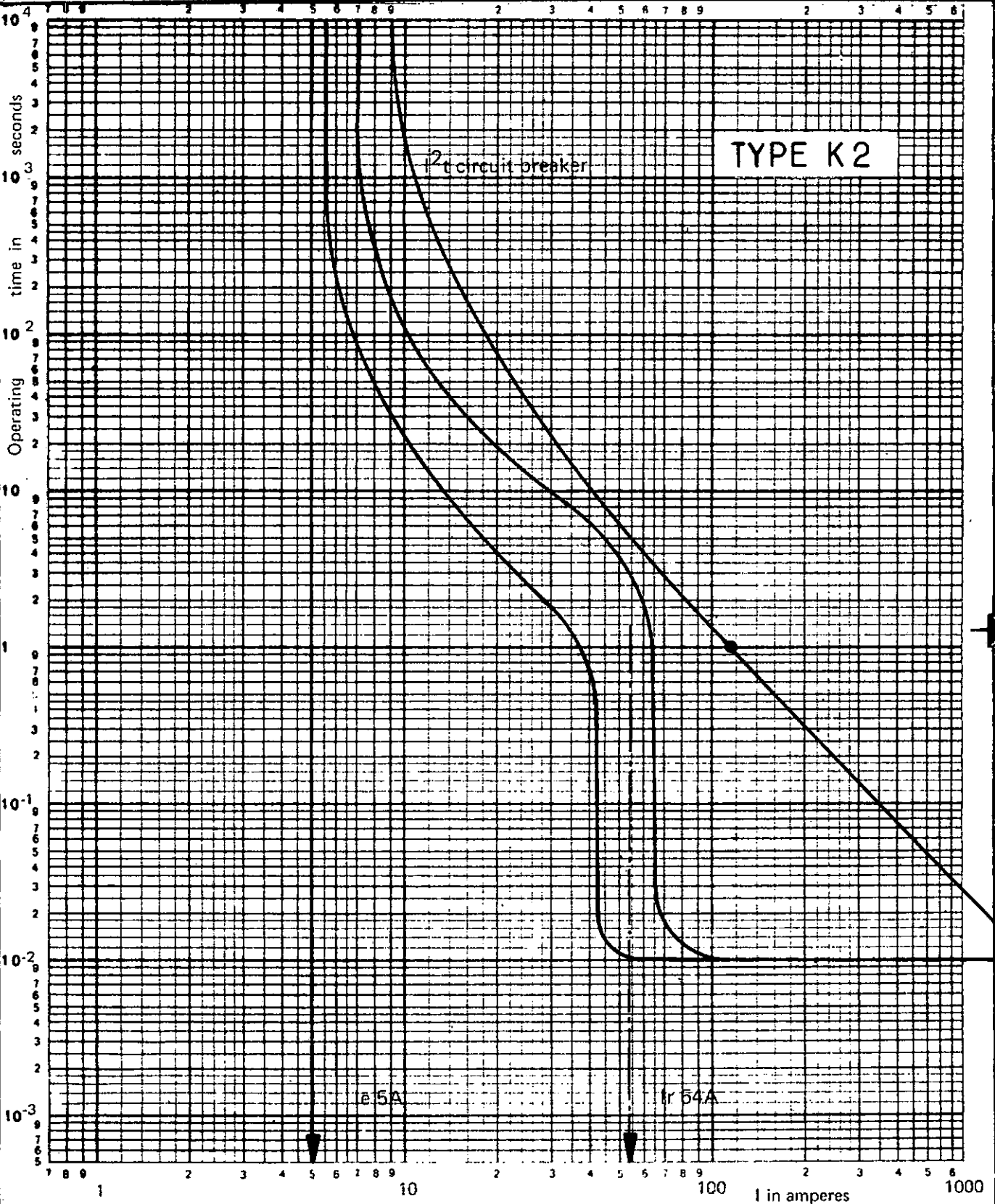
Etudes Installations

MACON Souveraines

Établisse-  
MACON  
Établisse-  
CHALON  
Établisse-  
MACON

ZONE OF OPERATION OF THE MAGNETIC AND THERMAL RELEASES AT 60°C - Rating 6A

3/10-3



Le présent document est la propriété exclusive de "DELLE-ALSTHOM". Remis à titre confidentiel, il ne peut être communiqué à des tiers, ni utilisé ou reproduit, qu'en stricte conformité d'autorisations expresses préalables.

This document is the sole property of "DELLE-ALSTHOM". It is submitted on a confidential basis and may not be passed on to the third parties, used or reproduced except in exact accordance with prior express permission.

C	21.6.82	Up dated		P410B A4 3061 KBA 12.17.100.052
B	23.12.80	Brought up to date		
ETABLI PAR PREPARED BY	ETELEC	LE : 6.79 ON :	VÉRIFIÉ PAR CHECKED BY	NUMÉRO NUMBER 212041/100

SI/108

Etablissement MACON  
 Etablissement CHALON  
 Etablissement MACON Souveraines

Etudes Installations  
 →

B

A

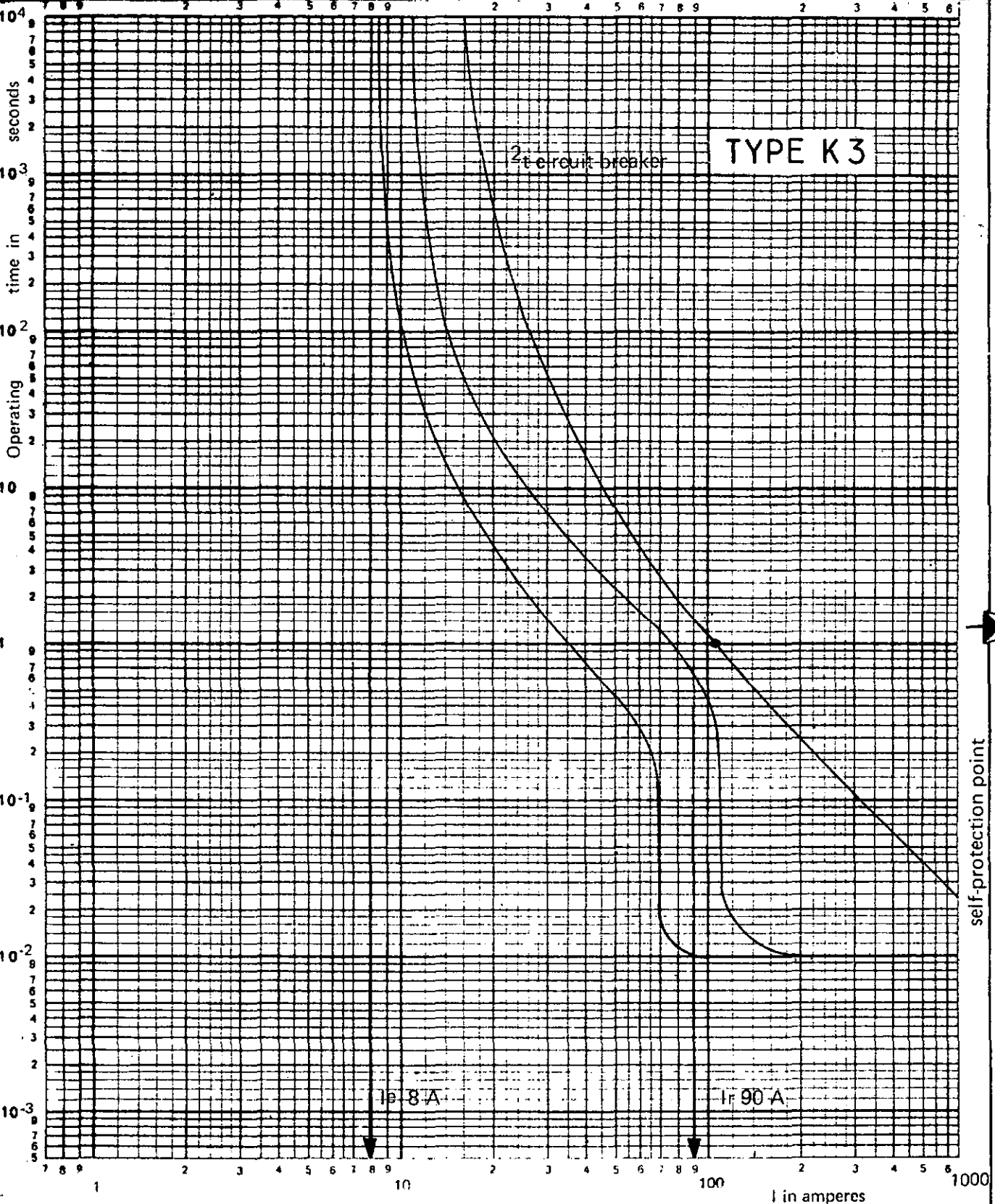
Self-protection point

2

1

# ZONE OF OPERATION OF THE MAGNETIC AND THERMAL RELEASES AT 60°C\_Rating 10 A

## 3/10-4



Etudes Installations  
 WACON  
 CHALON  
 MAÇON Soudeuses  
 Etablissement  
 Etablissement  
 Etablissement

Le présent document est la propriété exclusive de "DELLE-ALSTHOM" Remis à titre confidentiel, il ne peut être communiqué à des tiers, ni utilisé ou reproduit, qu'en stricte conformité d'autorisations expresses préalables.

This document is the sole property of "DELLE-ALSTHOM" It is submitted on a confidential basis and may not be passed on the third parties, used or reproduced except in exact accordance with prior express permission.

C	21.6.82	UPDATED	DELLE ALSTHOM	P4108 A4 3061 KBA 12.17 L00 052.
ÉTABLI PAR PREPARED BY	ETELEC	LE : 6.79 ON :	VÉRIFIÉ PAR : CHECKED BY	NUMÉRO NUMBER 212041/100
			(52/108)	

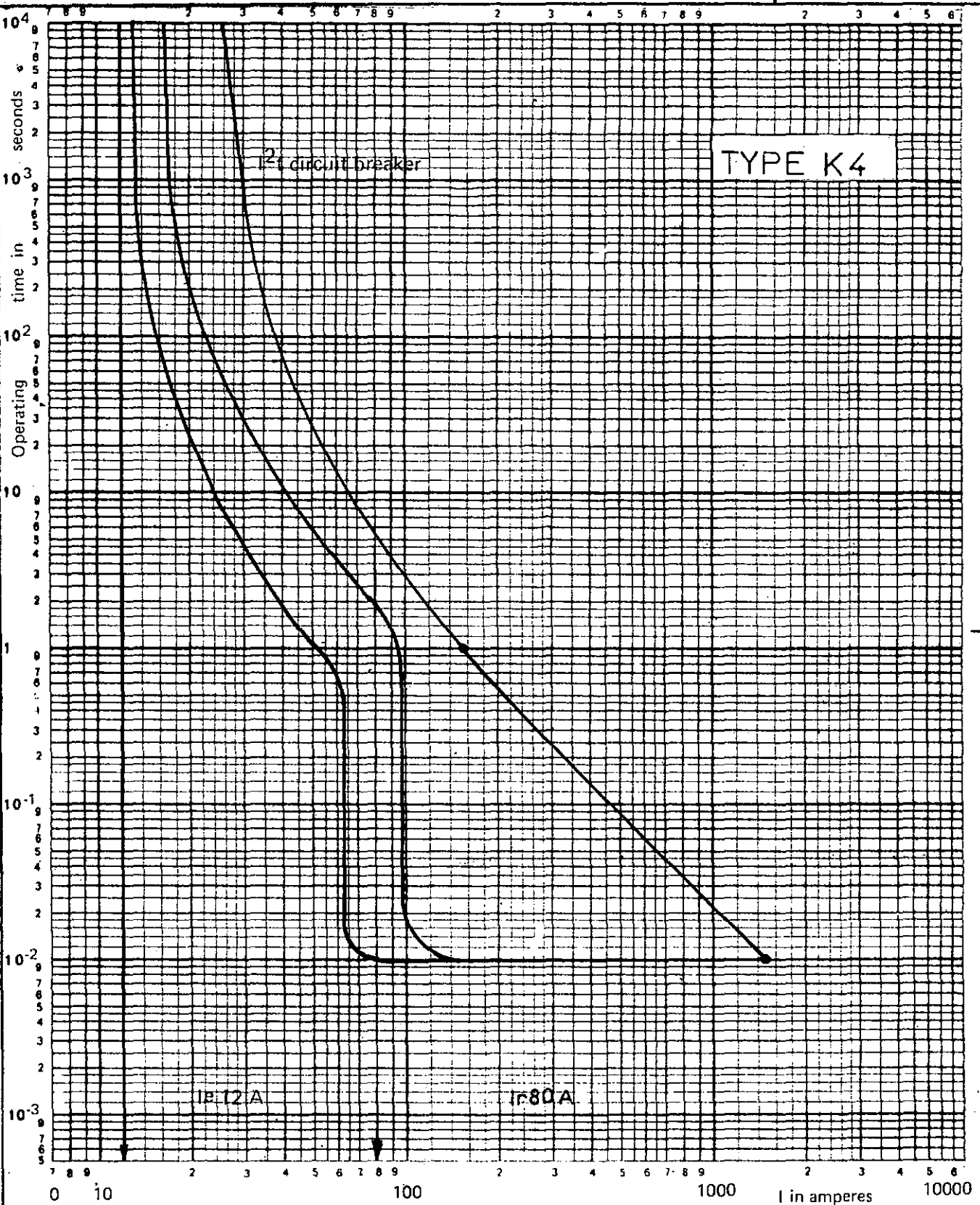
self-protection point

B

A

# ZONE OF OPERATION OF THE MAGNETIC AND THERMAL RELEASES AT 60°C - Rating 16A

## 3/10-5



Le présent document est la propriété exclusive de "DELLE-ALSTHOM". Remis à titre confidentiel, il ne peut être communiqué à des tiers, ni utilisé ou reproduit, qu'en stricte conformité d'autorisations expresses préalables.

This document is the sole property of "DELLE-ALSTHOM". It is submitted on a confidential basis and may not be passed on the third parties, used or reproduced except in exact accordance with prior express permission.

C	21.06.82	UP DATED		P4108 A4 3061 KBA 12 17 L00052 (53/108)
B	23.12.80	UP TO DAY.		
Ø				
ÉTABLI PAR ETELEC LE 6 79		VÉRIFIÉ PAR :		NUMÉRO 212041/100
PREPARED BY :		CHECKED BY :		

Établissements MACON  
 Études Installations CHALON  
 MACHINES SAUVAGNIERES

B

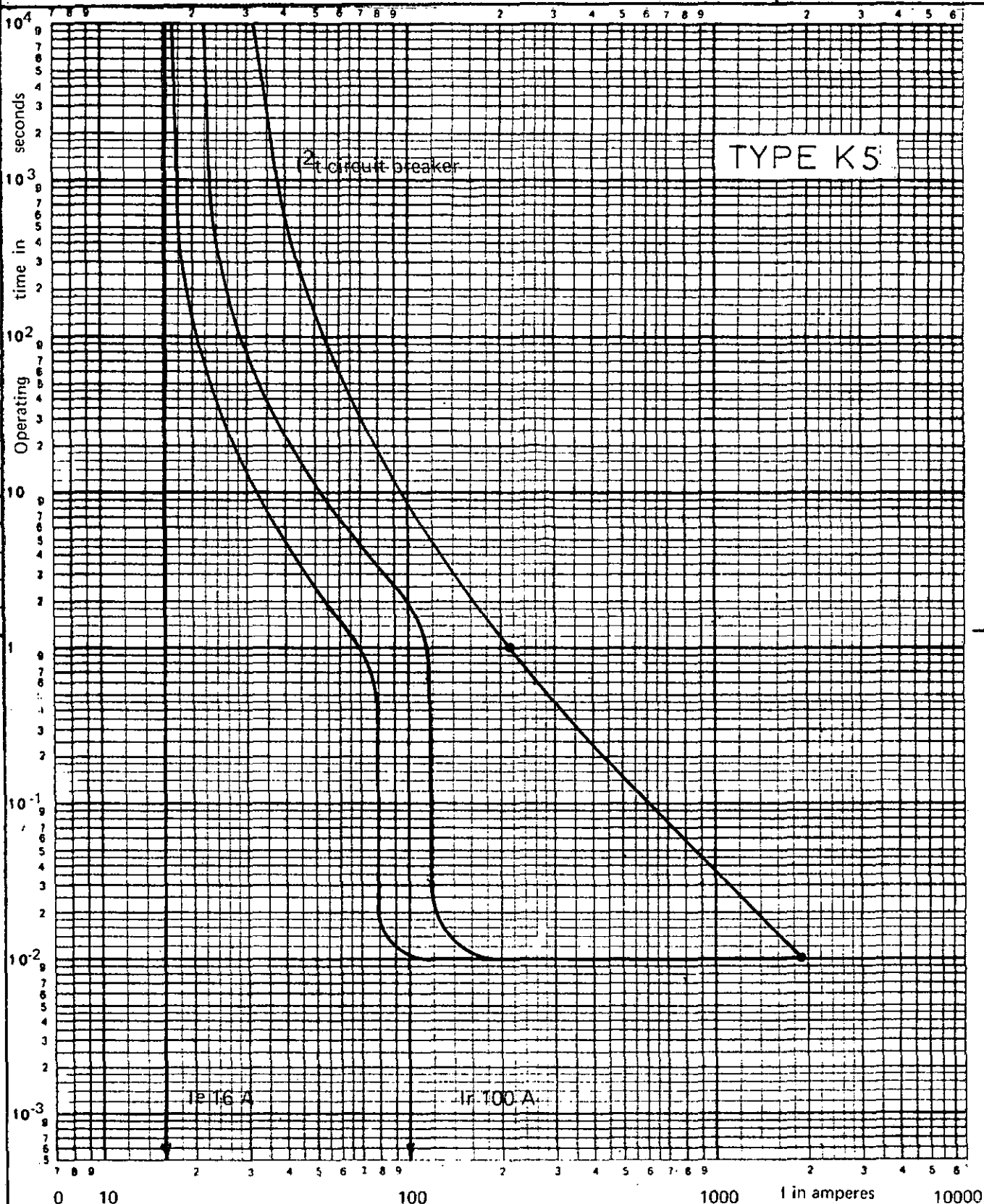
A

B

A

# ZONE OF OPERATION OF THE MAGNETIC AND THERMAL RELEASES AT 60°C - Rating 20A

3/10-6



Etudes Installations  
1  
Etablissement de MACON Souveraines

Le présent document est la propriété exclusive de "DELLE-ALSTHOM". Remis à titre confidentiel, il ne peut être communiqué à des tiers, ni utilisé ou reproduit, qu'en stricte conformité d'autorisations expresses préalables.

This document is the sole property of "DELLE-ALSTHOM". It is submitted on a confidential basis and may not be passed on to the third parties, used or reproduced except in exact accordance with prior express permission.

C	21.6.82	UP DATED		P4108 A4 3061 KBA,12 17 L00 052 54/108
B	23.12.80	UP TO DAY		
Ø				
ÉTABLI PAR : ETELEC		LE : 6 79	VÉRIFIÉ PAR :	NUMÉRO
PREPARED BY :		ON :	CHECKED BY :	NUMBER 212 041/100

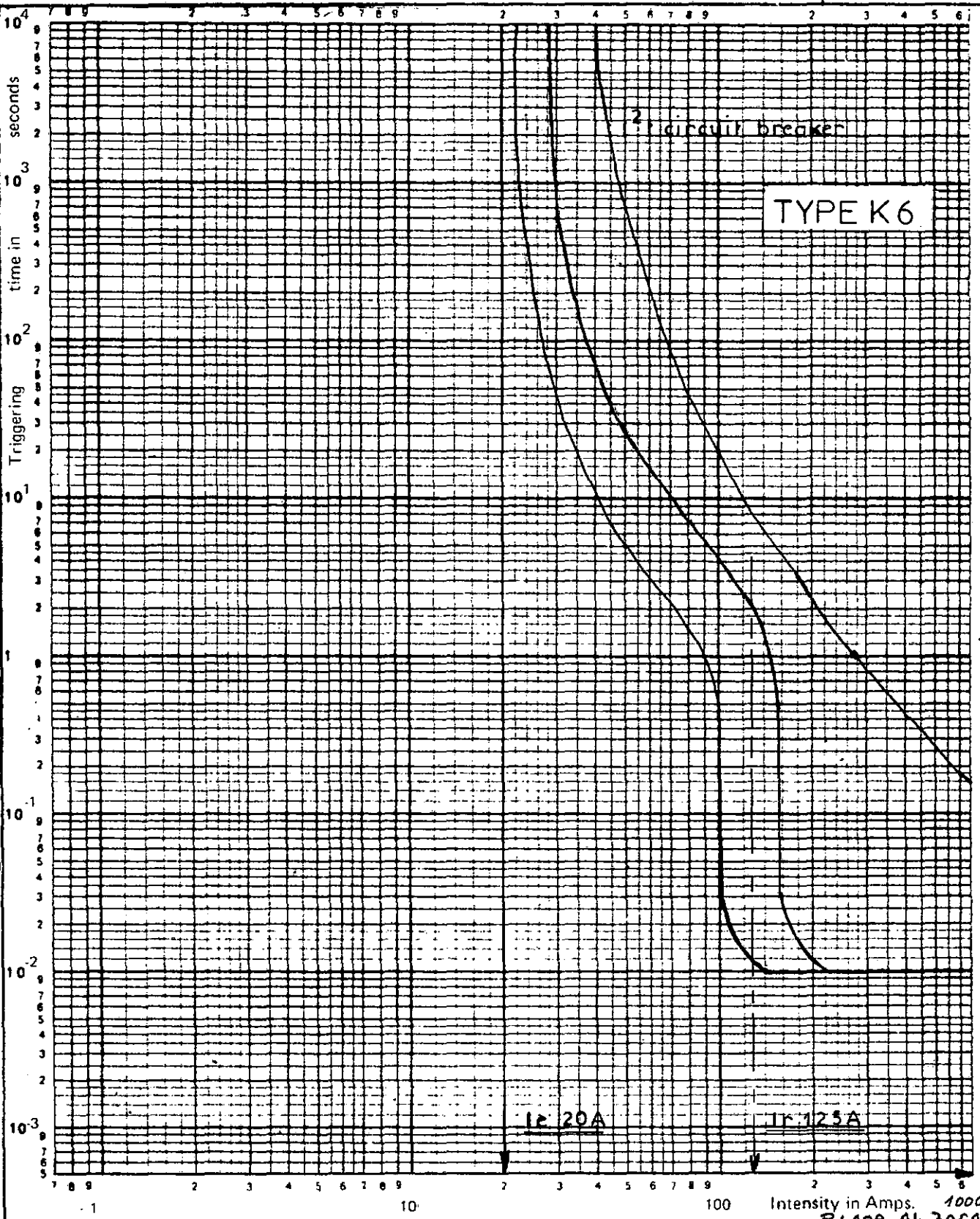
B

A



# ZONE OF OPERATION OF THE MAGNETIC AND THERMAL RELEASES AT 60°C - Rating 25A

3/10-7



Etudes installations  
 1  
 Etabli par M. de CHALON  
 Etabli par M. de MACON Sauvignères

Le présent document est la propriété exclusive de "DELLE-ALSTHOM". Remis à titre confidentiel, il ne peut être communiqué à des tiers, ni utilisé ou reproduit, qu'en stricte conformité d'autorisations expresses préalables.

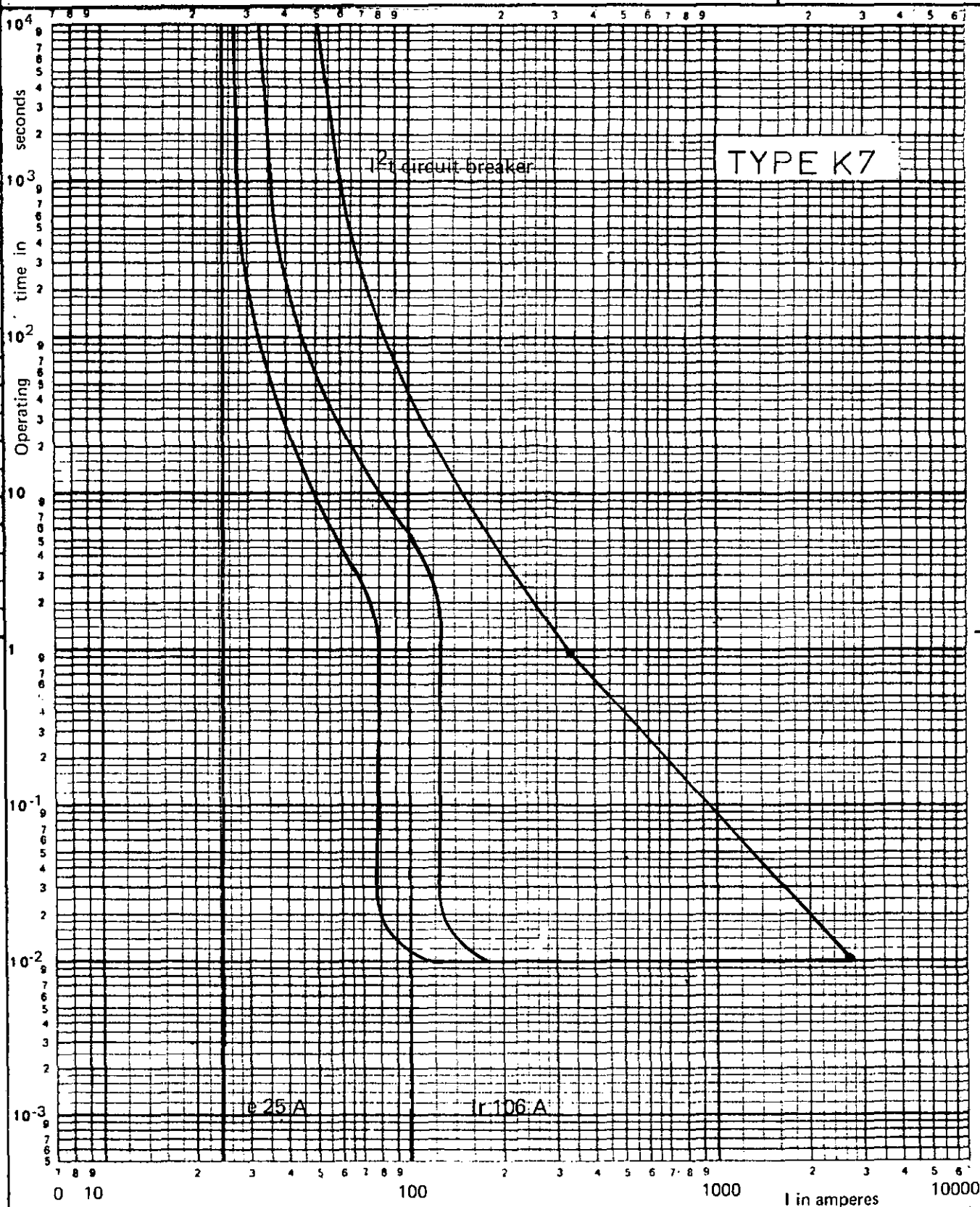
This document is the sole property of "DELLE-ALSTHOM". It is submitted on a confidential basis and may not be passed on to third parties, used or reproduced except in exact accordance with prior express permission.

C	21.6.82	UP DATED		KBA 12 17 L00 052
B	23.12.80	UP TO DAY		
ÉTABLI PAR ETELEC		LE 6.80	VÉRIFIÉ PAR	
PREPARED BY		ON	CHECKED BY	
			NUMÉRO 212041/100	



# ZONE OF OPERATION OF THE MAGNETIC AND THERMAL RELEASES AT 60°C\_Rating 32A

3/10-8



Le présent document est la propriété exclusive de "DELLE-ALSTHOM". Remis à titre confidentiel, il ne peut être communiqué à des tiers, ni utilisé ou reproduit, qu'en stricte conformité d'autorisations expresses préalables.

This document is the sole property of "DELLE-ALSTHOM". It is submitted on a confidential basis and may not be passed on the third parties, used or reproduced except in exact accordance with prior express permission.

C	21.6.82	UP DATED
B	28.12.80	UP TO DAY
Ø		
ÉTABLI PAR PREPARED BY	ETELEC	LE 6 79 ON
VÉRIFIÉ PAR CHECKED BY		

**DELLE-ALSTHOM**

NUMÉRO  
NUMBER 212041/100

PH108 A4 3061  
KBA 12 17 L00.052

56/108

B

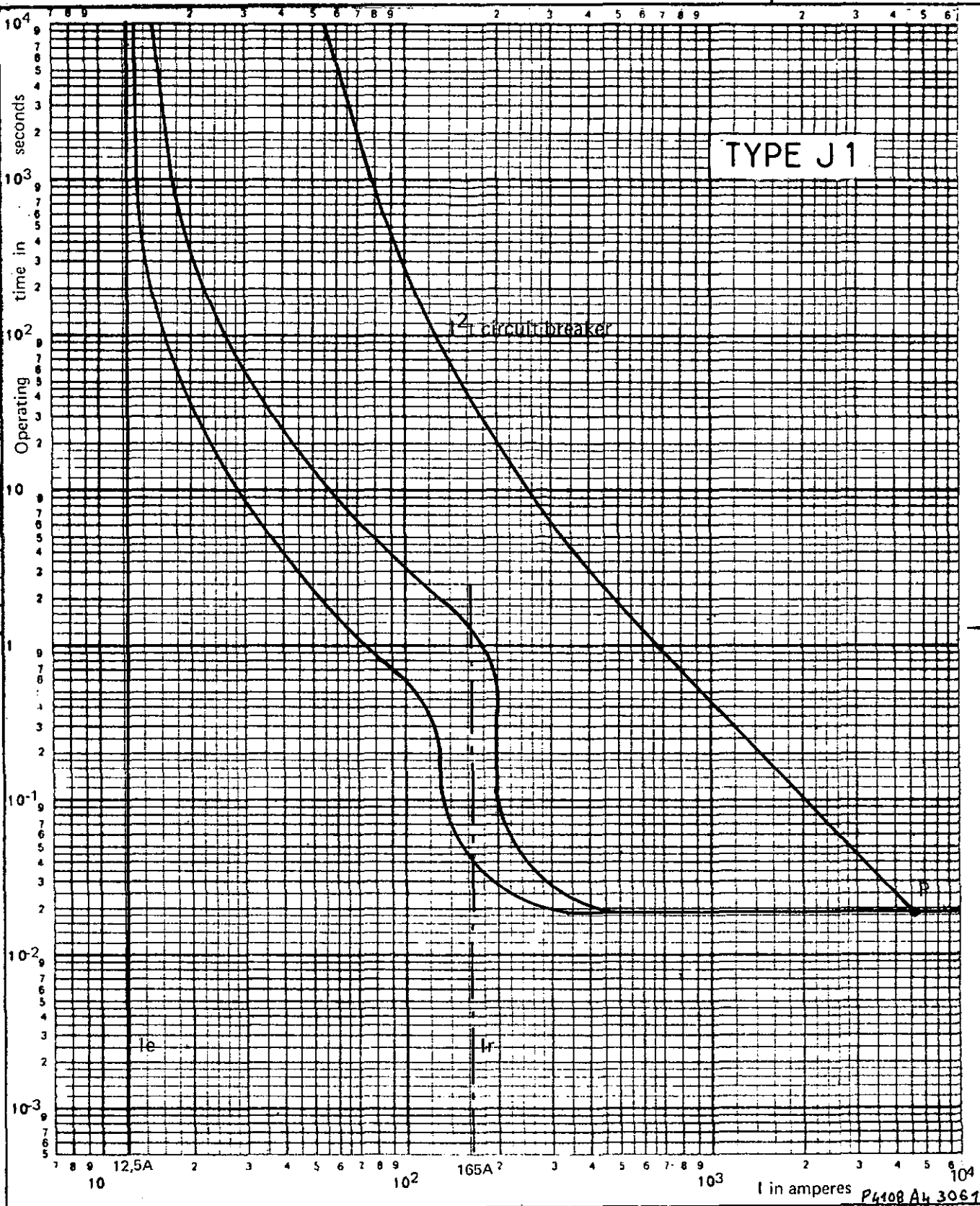
A

Etudes Installations  
1

Établissements de MACON  
Établissements de CHALON  
Établissements de MACON Saugerolles

# ZONE OF OPERATION OF THE MAGNETIC AND THERMAL RELEASES AT 60°C

3/11-1



Le présent document est la propriété exclusive de "DELLE-ALSTHOM". Remis à titre confidentiel, il ne peut être communiqué à des tiers, ni utilisé ou reproduit, qu'en stricte conformité d'autorisations expresses préalables.

This document is the sole property of "DELLE-ALSTHOM". It is submitted on a confidential basis and may not be passed on the third parties, used or reproduced except in exact accordance with prior express permission.

C	21.6.92	Updated	<b>DELLE-ALSTHOM</b>	KBA 12 17 L00 052
Ø				<b>57/108</b>
ÉTABLI PAR : ETELEC		LE : 6 79		VÉRIFIÉ PAR :
PREPARED BY :		ON :		CHECKED BY :
			NUMÉRO : 212041/100	
			NUMBER :	

B

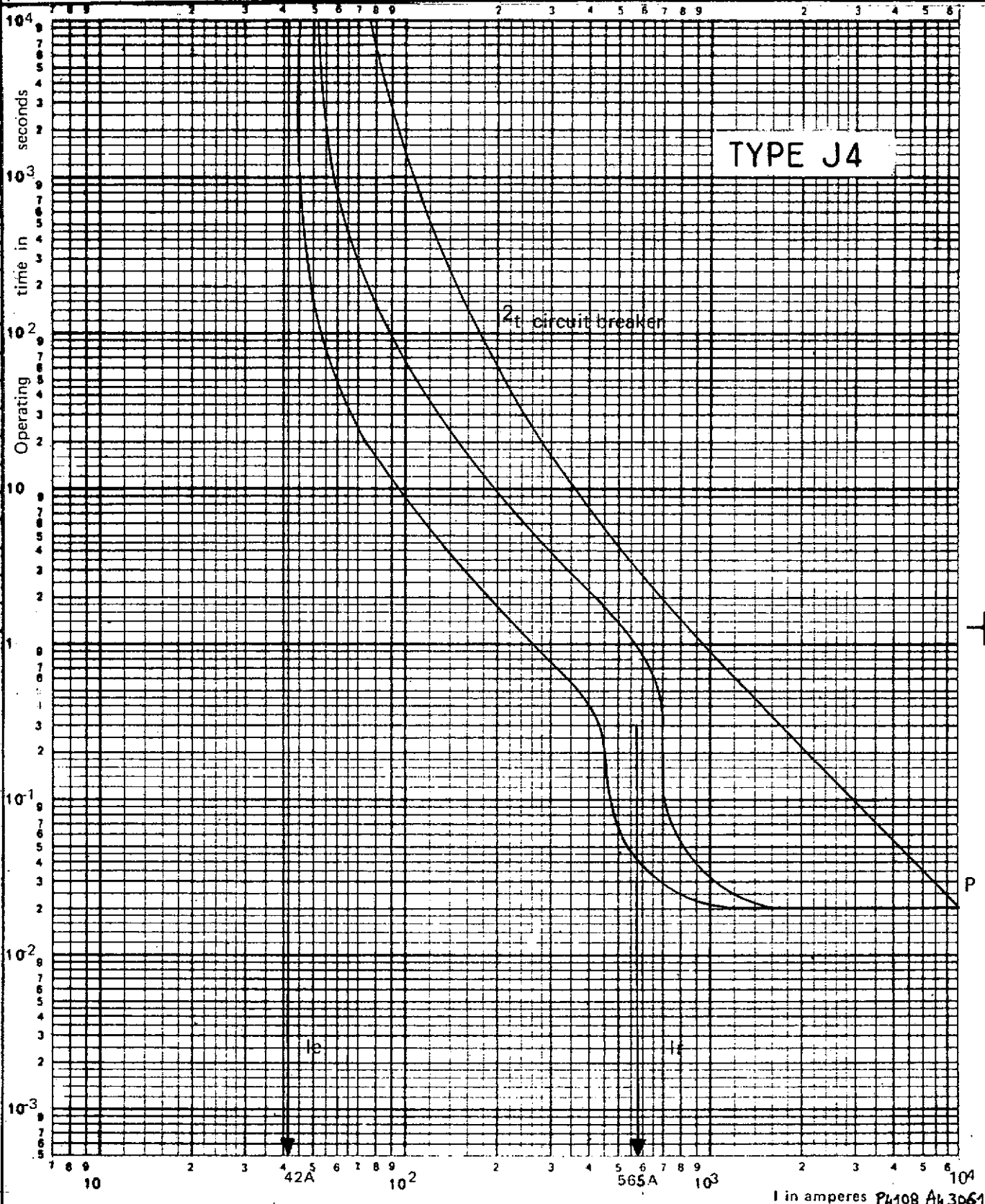
A

B

A

# ZONE OF OPERATION OF THE MAGNETIC AND THERMAL RELEASES AT 60°C

3/11-2



Etudes Installations  
1

WACON  
CHALON  
MACON Souveraines

Etoblissem  
Etoblissem  
Etoblissem

Le présent document est la propriété exclusive de "DELLE-ALSTHOM". Remis à titre confidentiel, il ne peut être communiqué à des tiers, ni utilisé ou reproduit, qu'en stricte conformité d'autorisations expresses préalables.

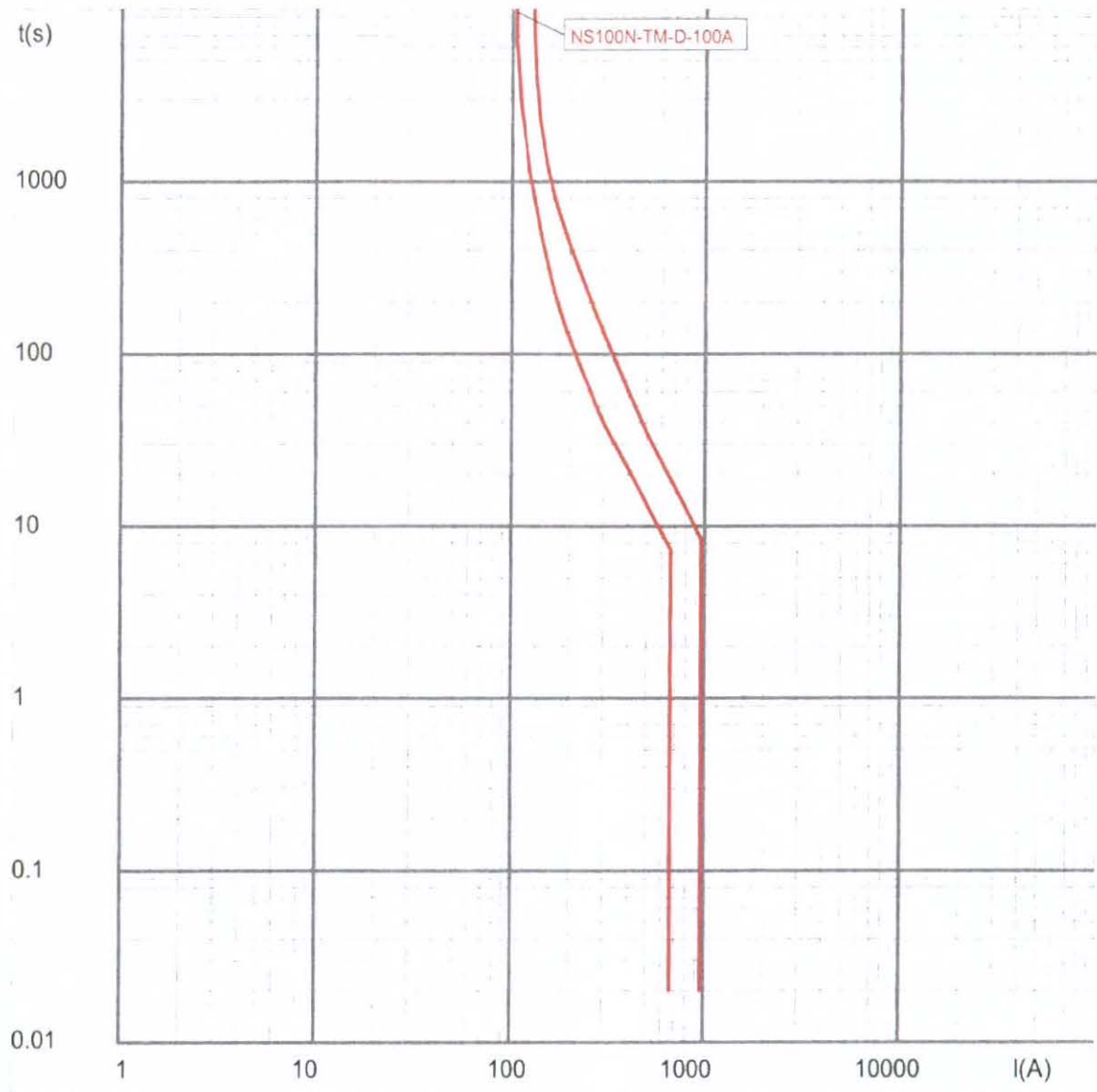
This document is the sole property of "DELLE-ALSTHOM". It is submitted on a confidential basis and may not be passed on the third parties, used or reproduced except in exact accordance with prior express permission.

C	21.06.82	Up dated		KBA12 17 L00 052
B	23.12.80	Brought up to date		
Ø				
ÉTABLI PAR : ETELEC		LE : 6.79	VÉRIFIÉ PAR :	
PREPARED BY :		ON :	CHECKED BY :	
			NUMÉRO NUMBER	212.041/100

B

A

Schneider Electric - Curve Direct V3.4.1 - Tripping curves (Discrimination provided to 440V)



59/108

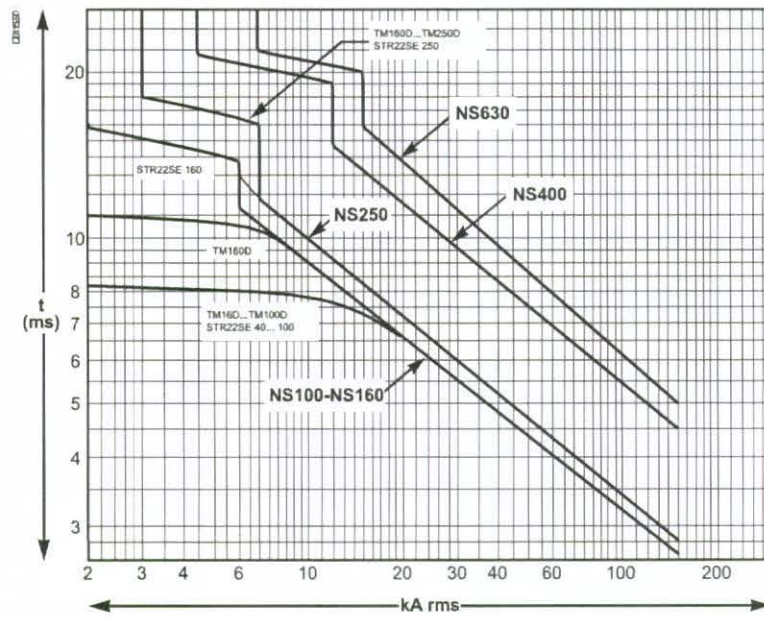
## Settings

Range	Compact	
Circuit-breaker	NS100N	
Trip unit/curve	TM-D	
Rating	100.00	
Long-time		
lo		
Ir	1.00	100.0A
tr		
Short-time		
Im/Isd		
Pt (delay)		
tm/tsd		
Instantaneous		
Ii	800.0A	
Discrimination		
Limit	Upstream device	

60/108

### Reflex tripping

Compact NS100 to 630 devices incorporate the exclusive reflex-tripping system. This system breaks very high fault currents by mechanically tripping the device via a "piston" actuated directly by the pressure produced in the breaking units resulting from a short-circuit. For high short-circuits, this system provides a faster break and a trip guarantee, as well as natural total discrimination. Reflex-tripping curves are exclusively a function of the circuit-breaker rating.



# COMPONENTS


4

10-1	Indicator lamp - presence of voltage on relay
11-1	60 V lamp for indicator lamp of sheet 10-1
12-1	Voltage test relay RMV 1 200/1 600
12-2	Over current relay RMA 421
13-1	Auxiliary relay RE 3 000
13-2	Auxiliary relay RTS 1040
14-1	Ammeter NE 48, direct current
14-2	Ammeter NE 48, alternating current
15-1	Voltmeter NE 48, direct current
15-2	Voltmeter NE 48, alternating current
16-1	Insulation strength monitor RCN
17-1	Plug-in connector for ELFA
18-1	Insulation strength monitor 933
19-1	Power connecting terminal on equipment with ELFA
20-1	Power connecting terminal on equipment with JT or DT 200
21-1	Wiring connection terminal
22-1	Shunt for ammeters
23-1	Current transformer for ammeters
24-1	Microswitch, CROUZET
25-1	Transformer-Rectifier 220 V / 48 V d.c.
26-1	Transformer-Rectifier 220 V / 30 V d.c.
27-1	Connector for insulation strength monitors
28-1	Ground connector
29-1	Push button UPM
30-1	Circuit breaker MT.C.3A
31-1	Stand-by transformer OU87 X 313
32-1	Current transformer PB - 100/5 A

P4108 A4 3061

Le présent document est la propriété exclusive de "DELLE-ALSTHOM". Remis à titre confidentiel, il ne peut être communiqué à des tiers, ni utilisé ou reproduit, qu'en stricte conformité d'autorisations expresse préalables.

This document is the sole property of "DELLE-ALSTHOM". It is submitted on a confidential basis and may not be passed on the third parties, used or reproduced except in exact accordance with prior express permission.

C	21.6.82	Brought up to date		KBA 12 17 L00 052
B	23.12.80	Brought up to date		
Ø				
ÉTABLI PAR : ETELEC		LE : 07/79	VÉRIFIÉ PAR :	NUMÉRO : 212 041/100
PREPARED BY :		ON :	CHECKED BY :	(62/108)

Etablissement de MACON  
 Etablissement de CHALON  
 Etablissement de MACON Souveraines

B

A



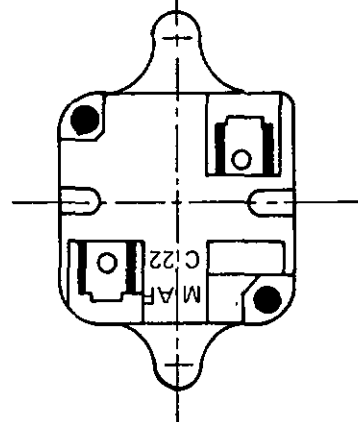
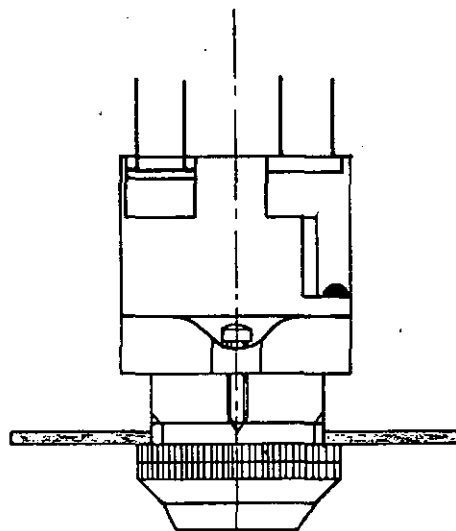
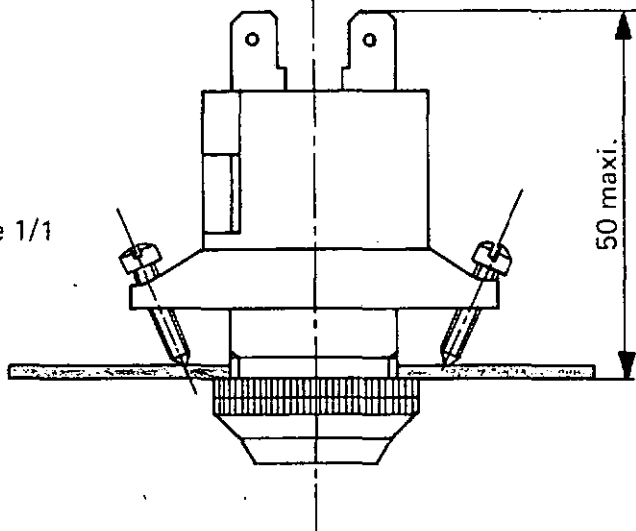
# INDICATOR LAMP

Presence of voltage on relay

4/10-1

Supplier : MAF at CHIMILIN 38490 LES ABRETS  
 Telephone: 620 les Abrets - Telex 320 663 F

Scale 1/1



### Mechanical Specifications

- Drilling diameter  $\emptyset$  22.5
- Maximum tightening thickness 6 mm
- Minimum distance between centers for juxtaposed elements 30.5 mm
- Minimum distance between centers for superposed elements 55 mm

### Electrical Specifications

- Maximum power of lamps to be used : 3 W
- Working voltage : 220 V
- Type of base : BA 9S (use 60 V lamp from sheet 4/11.1)
- Connection by double and single clips 6.35 (special for DELLE ALSTHOM)
- Test of dielectric strength between terminal or between terminals and ground : 2500 V (outside resistance)

DESIGNATION	REF. SUPPLIER MAF	REF. DELLE ALSTHOM
Green indicator lamp	22-VAV-9S-2F2DA	769 406/01 ▼
Red indicator lamp	22-VAR-9S-2F2DA	769 406/02 ▼
Colorless indicator lamp	22-VAI-9S-2F2DA	769 406/03 ▼
Yellow indicator lamp	22-VAJ-9S-2F2DA	769 406/04
Blue indicator lamp	22-VAB-9S-2F2DA	769 406/05

NOTE : The indicator lamps marked ▼ are kept in stock for DELLE ALSTHOM.  
 Use the 60 V lamps - Ref. 0281 of sheet 4/11.1.

P4108 A4 3061

Le présent document est la propriété exclusive de "DELLE-ALSTHOM". Remis à titre confidentiel, il ne peut être communiqué à des tiers, ni utilisé ou reproduit, qu'en stricte conformité d'autorisations expresses préalables.

This document is the sole property of "DELLE-ALSTHOM". It is submitted on a confidential basis and may not be passed on the third parties, used or reproduced except in exact accordance with prior express permission.

C	21.6.82	Up dated	<b>DELLE ALSTHOM</b>	KBA1217 L00 052
ÉTABLI PAR PREPARED BY :	ETELEC	LE ON : 07.79	VÉRIFIÉ PAR : CHECKED BY :	NUMÉRO NUMBER 212041/100

63/108

Etudes Installations  
 1  
 Etablissement  
 HALON  
 Etablissement  
 MAÇON  
 Soudeur  
 1



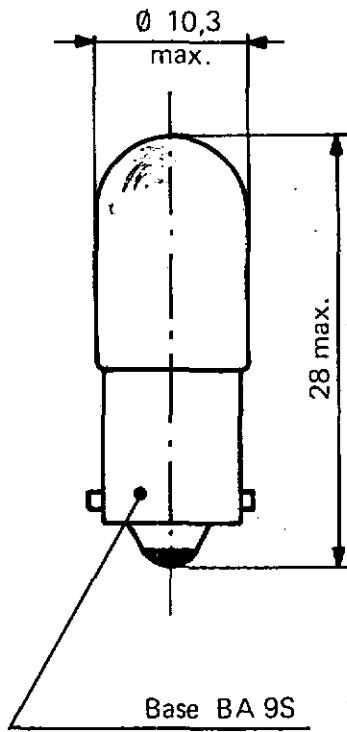
B

A

# LAMP - 60 V

For lamps MAF from sheet 4/10\_1

4 / 11 - 1



## SUPPLIER

OSRAM - rue d'Altorf - 67120 MOLSHEIM  
 Telephone 38.10.72/74  
 Telex 87 813 F

## SPECIFICATIONS

Base : BA 9S  
 Nominal voltage 60 V (use 48 V)  
 Power : 2.6 W

P4108 A4 3061

Le présent document est la propriété exclusive de "DELLE-ALSTHOM". Remis à titre confidentiel, il ne peut être communiqué à des tiers, ni utilisé ou reproduit, qu'en stricte conformité d'autorisations expresses préalables.

This document is the sole property of "DELLE-ALSTHOM". It is submitted on a confidential basis and may not be passed on the third parties, used or reproduced except in exact accordance with prior express permission.

KBA 12 17 L00 052

C	21.6.82	UP DATED	
Ø			
ÉTABLI PAR PREPARED BY:	ETELEC	LE : 6 79 ON :	VÉRIFIÉ PAR : CHECKED BY :
		NUMÉRO NUMBER 212041/100	

64/108

B

A

Etablissement  
 Etalissement  
 Etablissement  
 MACON  
 HALON  
 MCON Sougeries  
 Etudes Installations

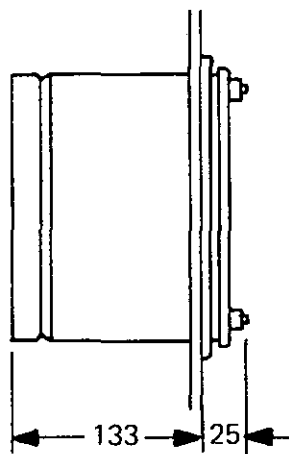
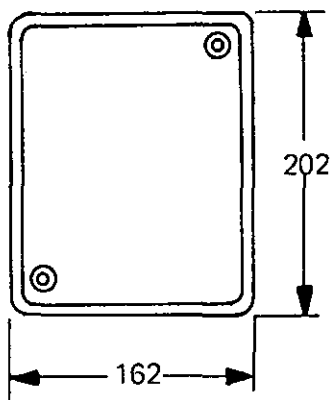
2

1

# VOLTAGE CHECK RELAY - RMV 1200/1600

4/12 - 1

**Supplier:** «Compteurs SCHLUMBERGER» - 12 place des Etats-Unis  
 B.P. 120 - 92120 MONTRouGE  
 Telephone : 655-62-22  
 Telex : 27 676



## PRESENTATION

In embedded box with connections to the rear.

## SPECIFICATIONS

- Measurement circuit : RMV 1200; RMV 1600
- Rating C : 20V (for 30V d.c.) -
- 50V (for 48V d.c.) -
- 100V (for 125V d.c.) 100V (for 220V a.c.)
- 200V (for 230V d.c.) -

### Adjustment range

- Connection scale: 1 to 2.5 c
- Contact range: 0 to  $\pm 0.5$  c
- Spacing of contacts on the scale  $\geq 0.15$  c
- Precision error :  $\pm 0.05$  c ;  $\pm 0.07$  c
- Fidelity error :  $\pm 0.03$  c ;  $\pm 0.02$  c

RMV1200 RMV1600

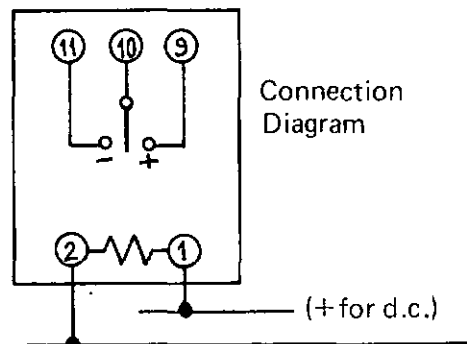
### - Contacts

- Combination 1 break + 1 make
- Interrupting capacity 0.1 A at 127 V d.c. on resistive circuit
- Test voltage 2200 V

### - Weight

2.7 kg

Sheet prepared according to supplier's bulletin No. 6300 B.



Connection Diagram

P4108 A4 3061

Le présent document est la propriété exclusive de "DELLE-ALSTHOM". Remis à titre confidentiel, il ne peut être communiqué à des tiers, ni utilisé ou reproduit, qu'en stricte conformité d'autorisations expresses préalables.

This document is the sole property of "DELLE-ALSTHOM". It is submitted on a confidential basis and may not be passed on the third parties, used or reproduced except in exact accordance with prior express permission.

C	21.6.82	RMV 1200 -> RMV 1600		KBA 12.17.L00.052
B	23.12.80	Brought up to date		
Ø				65/108
ÉTABLI PAR : ETELEC		LE : 07.79	VÉRIFIÉ PAR :	NUMÉRO : 212041/100
PREPARED BY :		ON :	CHECKED BY :	

B

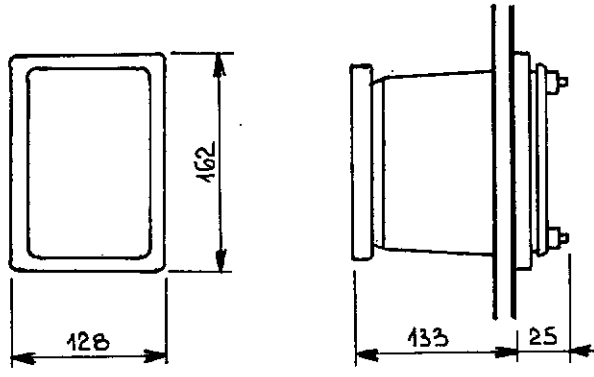
A

Etudes Installations  
 HALON  
 MAÇON Sougérales  
 Etalisseme  
 Etalisseme  
 Etalisseme

**OVER CURRENT RELAY**  
**RMA 421**

4/12-2

Supplier : ENERTEC  
12, Place des Etats Unis  
BP 620  
92542 - MONTRouGE Cédex



Appearance

In Embedded box with rear connections

Spécifications

Ratings :

Coupling in serie = 20 A )  
Coupling in derivation = 40 A ) Range 12 - 24 - 48  
Adjustment = 0,6 to 1,2 )

Accuracy : + 5% of the setting value  
Absorbed power = 0,8VA (on lowest setting)  
Admissible overload : permanent : low range = 12 A  
high range = 24 A

Insulation = 500 V 1 mn (voltage test = 2000 V 1 mn)

Contacts

- 2 make contacts
- durable current = 0,25 A
- breaking capacity = 0,25 A (under 127 V cc. or ac.)

Weight 0,750 Kg

Sheet prepared according to supplier's notice n°6312K(07-81)

P4108 A4 3061

Le présent document est la propriété exclusive de "DELLE-ALSTHOM" Remis à titre confidentiel, il ne peut être communiqué à des tiers, ni utilisé ou reproduit, qu'en stricte conformité d'autorisations expresses préalables.

This document is the sole property of "DELLE-ALSTHOM" It is submitted on a confidential basis and may not be passed on the third parties, used or reproduced except in exact accordance with prior express permission.

Etablissements de MACON Saugeratès

C	21.6.82	This sheet added	<b>DELLE ALSTHOM</b>	KBA 12 17 L00052
Ø				66/108
ÉTABLI PAR : Gressard		LE : 21.6.82	VÉRIFIÉ PAR :	NUMÉRO : 212 041/100
PREPARED BY :		ON :	CHECKED BY :	NUMBER :

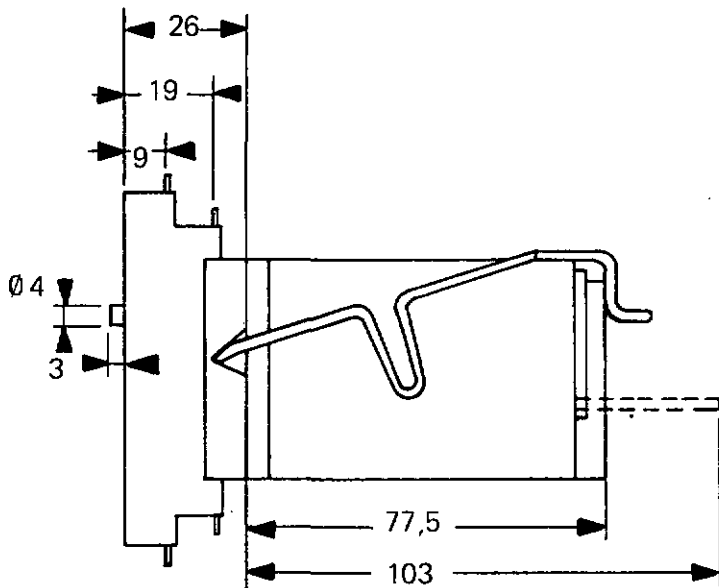
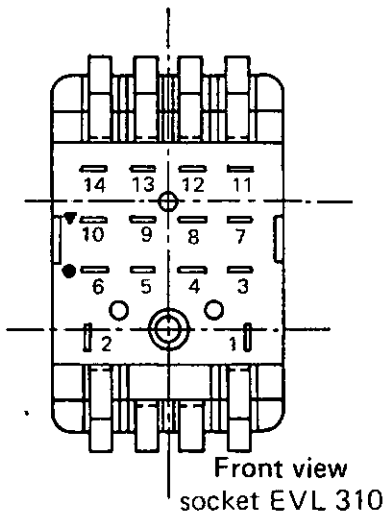
B

A

# AUXILIARY RELAY - RE 3000

4 / 13 - 1

Supplier: «Compteurs SCHLUMBERGER» - 12 place des Etats-Unis  
 B.P. 120 - 92120 MONTRouGE  
 Telephone 665-62-22  
 Telex 27 676



## PRESENTATION

Plug-in on socket EVL 310

## SPECIFICATIONS

### - Power supply

Nominal voltage: 48 V d.c.  
 Minimum voltage: 38 V d.c.  
 Maximum permanent power supply voltage: 53 V d.c.  
 Drain: 3 W

### - Contacts

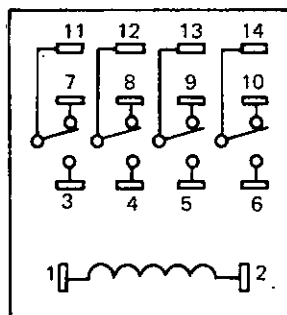
Combination: 4 make-break contacts  
 Operating time at Vn: at make- break  $\leq 20$  ms  
   make  $\leq 25$  ms  
   at break- break  $\leq 10$  ms  
   make  $\leq 15$  ms

### - Test voltage

Between winding or contact and ground = 2000 V 50 Hz

### - Weight

Relay = 200 g                      Base = 70 g



inside  
diagram

Sheet prepared according to supplier's bulletin 6204 D.

P4108 A4 3061

Le présent document est la propriété exclusive de "DELLE-ALSTHOM". Remis à titre confidentiel, il ne peut être communiqué à des tiers, ni utilisé ou reproduit, qu'en stricte conformité d'autorisations expresses préalables.

This document is the sole property of "DELLE-ALSTHOM". It is submitted on a confidential basis and may not be passed on the third parties, used or reproduced except in exact accordance with prior express permission.

C	21.6.82		Updated		KBA 1217 L00 052
B	23.12.80		Brought up to date		
Ø					
ÉTABLI PAR / PREPARED BY: ETELEC		LE / ON: 07-79	VÉRIFIÉ PAR / CHECKED BY:	NUMÉRO / NUMBER: 212041/100	67/108

B

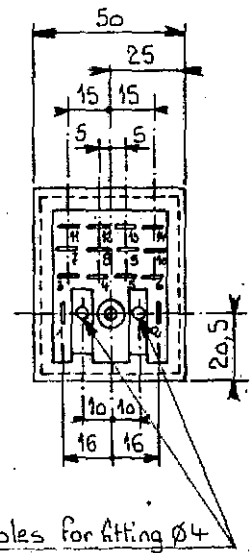
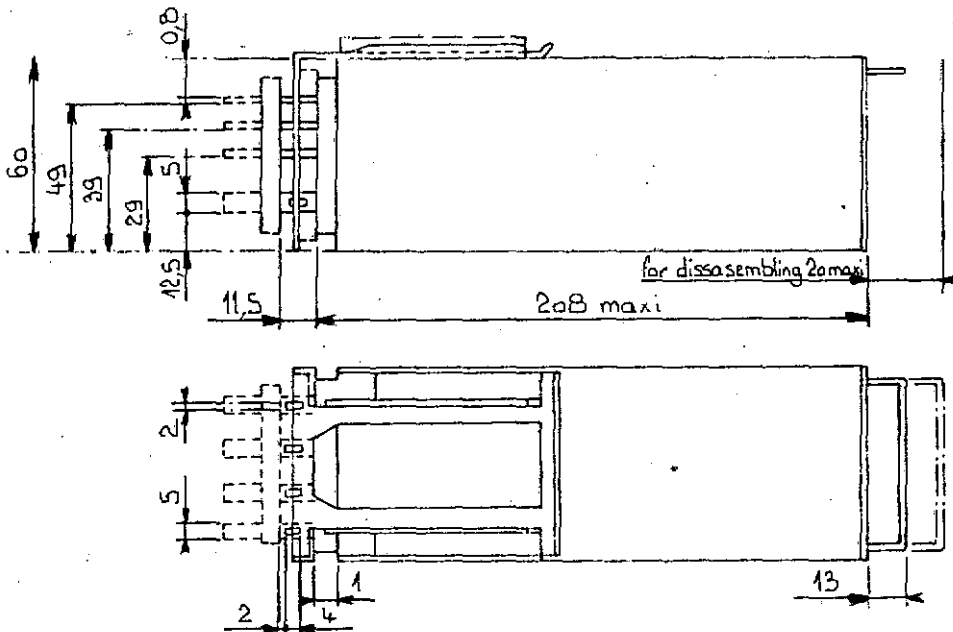
A

Etablissements ALCON  
 Etablissements HALON  
 Etablissements ALCON Saugerais  
 Etudes Installations  
 1

# TIME LAG RELAY RTS 1040

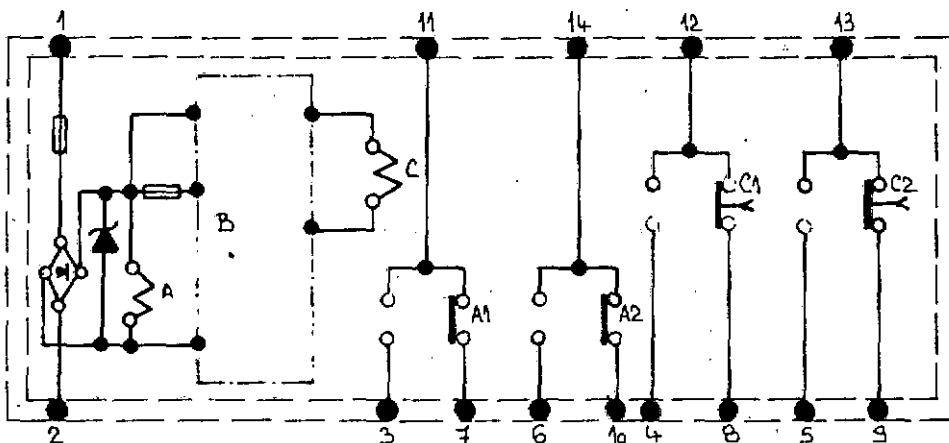
4/13.2

Supplier : ENERTEC  
 12 Place des Etats Unis  
 92542 - MONTROUGE CEDEX



Model RTS 1040

- time lag range : 0,2 to 2 s or 2 to 20s
- contacts = 2 instantaneous reversing contacts  
                   2 time delayed reversing contacts
- break time = 30 ms
- consumption = during temporization = 4,3 W  
                   during geration = 7,6 W
- Weight = 0,7 Kg



- A = Instaneous relay RE 2100
- B = Time delaying device
- C = Time delaying relay RE 2100

Sheet prepared according to supplier notice CdC n°229/B

P4108 A4 3061

Le présent document est la propriété exclusive de "DELLE ALSTHOM". Remis a titre confidentiel il ne peut être communiqué a des tiers, ni utilisé ou reproduit, qu'en stricte conformité d'autorisations expresses préalables

This document is the sole property of "DELLE-ALSTHOM". It is submitted on a confidential basis and may not be passed on the third parties, used or reproduced except in exact accordance with prior express permission

Etablissement de MACON  
 Etablissement de CHALON  
 Etablissement de MACON Saugerolles

C	21.6.82	This sheet added		KBA 12 17 L00 052
B				
ÉTABLI PAR : Gressard		LE : 21.6.82	VÉRIFIÉ PAR :	NUMÉRO : 212041100
PREPARED BY		ON	CHECKED BY	68/108

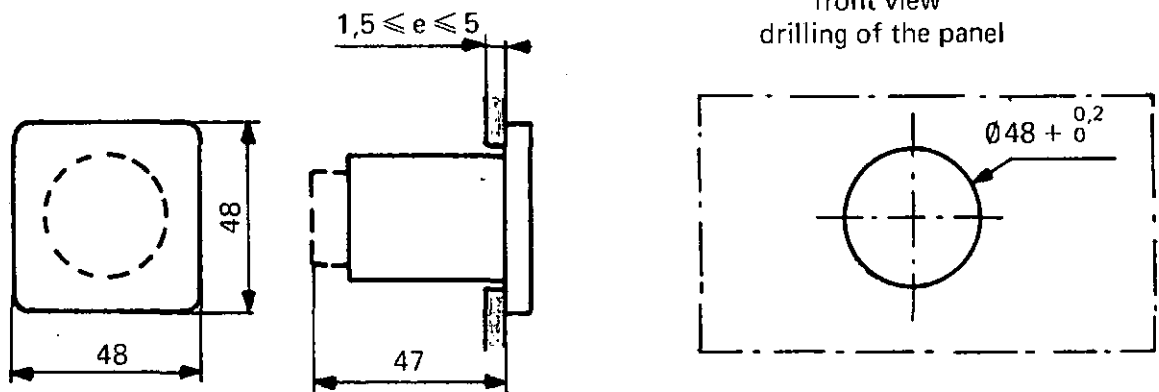
B

A

# AMMETER - NE 48

4/14-1

Supplier: «Compteurs SCHLUMBERGER» - 12 place des Etats-Unis  
 B.P. 120 - 92120 MONTROUGE  
 Telephone 665-62-22  
 Telex 27 676



## PRESENTATION

In box for built-in mounting, connections to the rear.

## SPECIFICATIONS

- Type : 90°
- Precision classification : 1.5
- Scale : linear with zero to the left ✓
- Power supply = by shunt 0.1 V
- Graduations :  
 - 0-48 A for shunt 40 A.

Sheet prepared according to supplier's bulletin 5120 B.

P4108 A4 3061

Le présent document est la propriété exclusive de "DELLE-ALSTHOM". Remis à titre confidentiel, il ne peut être communiqué à des tiers, ni utilisé ou reproduit, qu'en stricte conformité d'autorisations expresses préalables.

This document is the sole property of "DELLE-ALSTHOM". It is submitted on a confidential basis and may not be passed on the third parties, used or reproduced except in exact accordance with prior express permission.

C	21.6.82	Up dated		KBA 12 17 L00 052
Ø				
ÉTABLI PAR : ETELEC		LE : 6 79	VÉRIFIÉ PAR :	NUMÉRO
PREPARED BY :		ON :	CHECKED BY :	NUMBER
			212041/100	69/108

Etablissement MACON  
 Etablissement CHALON  
 Etablissement Saugerates  
 Etudes Installations  
 1

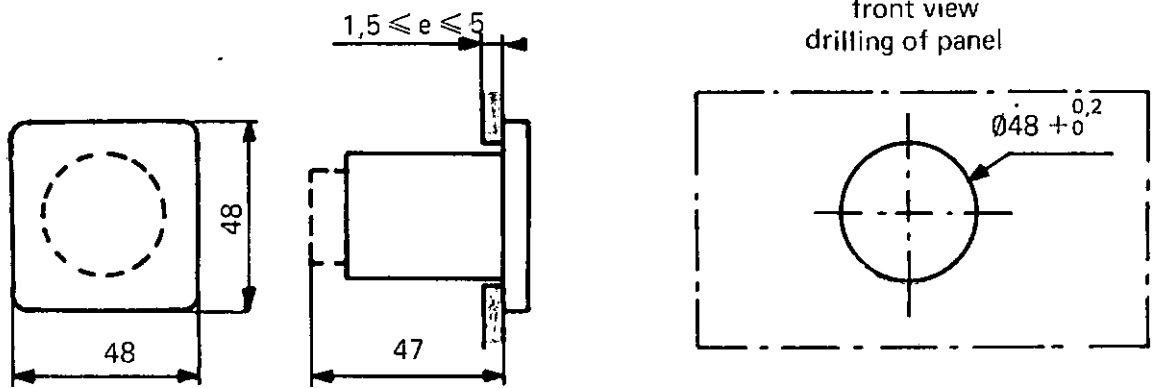
B

A

# AMMETER - NE 48

4 / 14 - 2

Supplier : «Compteurs SCHLUMBERGER»  
 12 place des Etats-Unis  
 B. P. 120 - 92120 MONTROUGE  
 Telephone: 655-62-22  
 Telex: 27 676



## PRESENTATION

In box for built-in mounting, connections to rear.

## SPECIFICATIONS

- Type : 90°
- Precision classification : 1.5
- Scale : pseudo-linear with zero to the left
- Power supply : by current transformer
- Graduation :
  - 0 to 400 A for CT 300/5 A
  - 0 to 40 A for CT 30/5 A

Sheet prepared according to supplier's notice 5120 B.

PH108 A4 3061

Le présent document est la propriété exclusive de "DELLE-ALSTHOM". Remis à titre confidentiel, il ne peut être communiqué à des tiers, ni utilisé ou reproduit, qu'en stricte conformité d'autorisations expresses préalables.

This document is the sole property of "DELLE-ALSTHOM". It is submitted on a confidential basis and may not be passed on the third parties, used or reproduced except in exact accordance with prior express permission.

kBA 12 17 L00 052

C	21.6.82	UP DATED	<b>DELLE ALSTHOM</b>	70/108
ÉTABLI PAR : ETELEC	LE : 6 79	VÉRIFIÉ PAR :	NUMÉRO : 212041/100	
PREPARED BY :	ON :	CHECKED BY :		

Etalonnage  
 Etalonnage  
 Etalonnage  
 Etudes Installations  
 CHALON  
 le MACON Saugerries

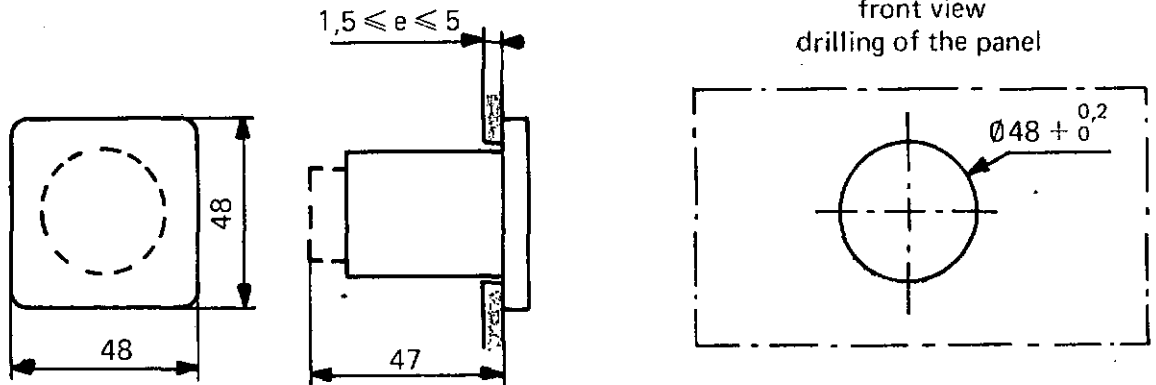
B

A

# VOLTMETER - NE 48

4 / 15 \_ 1

**Supplier:** «Compteurs SCHLUMBERGER»  
 12 place des Etats-Unis  
 B.P. 120 - 92120 MONTROUGE  
 Telephone : 655-62-22  
 Telex : 27 676



## PRESENTATION

In box for built-in mounting, rear connections.

## SPECIFICATIONS

Type : C 90°  
 Precision classification : 1.5  
 Scale : linear with zero to the left  
 Power supply : direct  
 Graduation :  
 - 0-60 V for 30-V mains

Sheet prepared according to supplier's bulletin 5120 B.

P4108 A4 3061

Le présent document est la propriété exclusive de "DELLE-ALSTHOM". Remis à titre confidentiel, il ne peut être communiqué à des tiers, ni utilisé ou reproduit, qu'en stricte conformité d'autorisations expresses préalables.

This document is the sole property of "DELLE-ALSTHOM". It is submitted on a confidential basis and may not be passed on the third parties, used or reproduced except in exact accordance with prior express permission.

C	21.6.82	Up dated		KBA 12 17 L00 052
Ø				
ÉTABLI PAR : ETELEC		LE : 07.79	VÉRIFIÉ PAR :	NUMÉRO : 212041/100
PREPARED BY :		ON :	CHECKED BY :	71 / 108

B

A

Etudes Installations  
 1  
 MACON  
 CHALON  
 MACON Saugeraires  
 Etablissem.  
 Etablissem.  
 Etablissem.

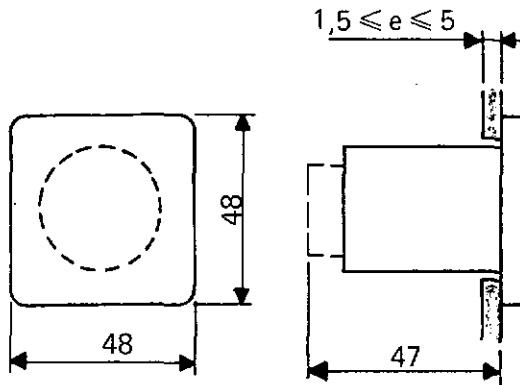


# VOLTMETER - NE 48

4/15\_2

Supplier: «Compteurs SCHLUMBERGER»

12 place des Etats-Unis  
 B.P. 120 - 92120 MONTRouGE  
 Telephone : 655-62-22  
 Telex : 27 676



front view  
drilling of the panel

## PRESENTATION

In box for built-in mounting, connections to the rear.

## SPECIFICATIONS

Type : A 90°  
 Precision classification : 1.5  
 Scale : pseudo-linear with zero to the left  
 Power supply : direct  
 Graduation :  
 - 0-250 V

Sheet prepared according to supplier's bulletin 5 120 B.

PL108 A4 3061

Le présent document est la propriété exclusive de "DELLE-ALSTHOM". Remis à titre confidentiel, il ne peut être communiqué à des tiers, ni utilisé ou reproduit, qu'en stricte conformité d'autorisations expresses préalables.

This document is the sole property of "DELLE-ALSTHOM". It is submitted on a confidential basis and may not be passed on the third parties, used or reproduced except in exact accordance with prior express permission.

C	21.6.82	Updated		KBA 12.17 L00 052	
Ø					
ÉTABLI PAR :	ETELEC	LE :	07.79	VÉRIFIÉ PAR :	
PREPARED BY :		ON :		CHECKED BY :	
			NUMÉRO	212041/100	
			NUMBER		

B

A

DIE 103

Etudes Installations  
 M.A.C.O.N.  
 M.A.C.O.N. Saugeraires  
 CHALON  
 Etablissement  
 Etablissement  
 Etablissement

# PERMANENT INSULATION STRENGTH MONITOR

4 / 16 - 1

Name of manufacturer  
 Type of relay  
 Frequency of mains monitored  
 Operating threshold  
 Direct current voltage applied  
 Maximum direct current fed  
 Timing of the signalling  
 Auxiliary power supply  
 Drain at 220 V  
 A.C. input impedance  
 D.C. input resistance

DELLE-ALSTHOM  
 MESURISOL RCN, built-in  
 50 to 400 Hz  
 500 to 25,000  $\Omega$   
 15 V  
 15 mA  
 2 to 3 seconds  
 220 V  
 6 VA  
 $\geq 35 \text{ k}\Omega$  at 50 Hz (terminals 23-24)  
 2 times the threshold set (terminals 23-24)  
 1 "signalling" make-break  
 1 "alarm" make-break  
 2.5 A - 220 V - 50 Hz  
 0.5 A - 135 V ---  
 2.5 A - 220 V - 50 Hz  
 3.5 A - 135 V ---  
 $\geq 10^5$  manipulations  
 24 - 30 V - 30 mA - base W - 2d  
 2000 V eff. (least-mean-square)  
 50 Hz - 1 minute  
 2 kg

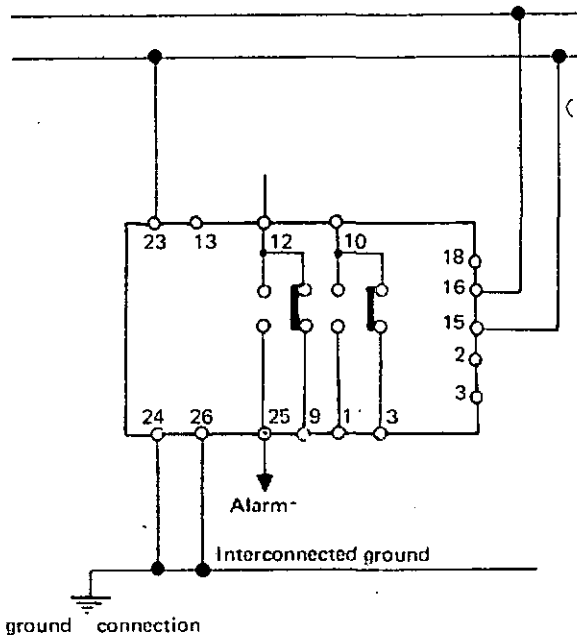
Output contacts

Interrupting capacity on a.c. ( $\cos \phi = 0.6$ )  
 Interrupting capacity on d.c. (L/R = 30 ms)  
 Making capacity on a.c. ( $\cos \phi = 0.6$ )  
 Making capacity on d.c. (R)  
 Endurance of the contacts  
 Indicator lamps  
 Dielectric strength

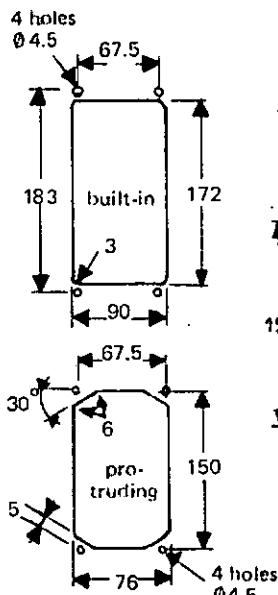
Weight

## Connection diagram for the mesurisol

Mains 220 V - Non-accessible neutral

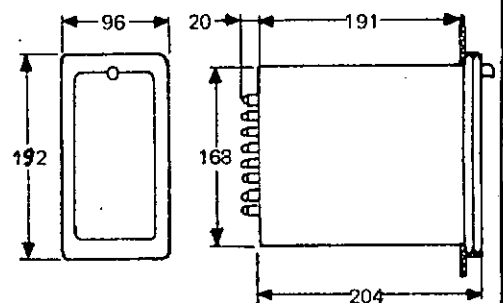


## Drilling plans



## Diagram of overall dimensions

Types, built-in and protruding, connections to the rear



For operating instructions

Refer to  
 KBA. 12.17.L.00.134  
 P. 4108 A4 3061

Le présent document est la propriété exclusive de "DELLE-ALSTHOM". Remis à titre confidentiel, il ne peut être communiqué à des tiers, ni utilisé ou reproduit, qu'en stricte conformité d'autorisations expresses préalables.

This document is the sole property of "DELLE-ALSTHOM". It is submitted on a confidential basis and may not be passed on the third parties, used or reproduced except in exact accordance with prior express permission.

C	21-6-82	Brought up to date	DELLE ALSTHOM	KBA 12 17 L00 052
ÉTABLI PAR PREPARED BY	ETELEC	LE ON	07-79	VÉRIFIÉ PAR CHECKED BY
			NUMÉRO NUMBER	212 041/100
				73/108

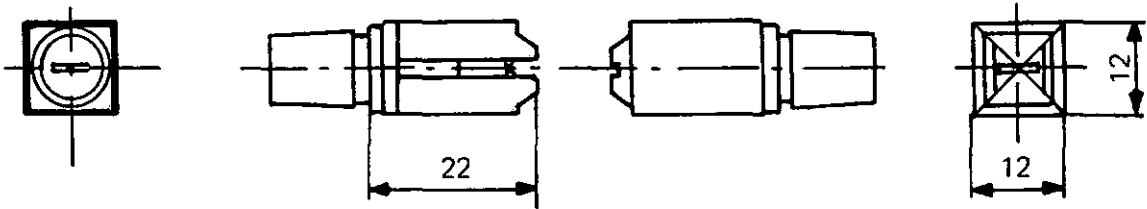
B

A

Etudes installations  
 MACHON  
 CHALON  
 MAISON SEVERGNIER  
 Erblisse  
 Erblisse  
 Erblisse

# PLUG-IN CONNECTOR FOR ELFA

4/17\_1



**SUPPLIER :** ENTRELEC  
 184 - 186 rue Léon Blum  
 69627 VILLEURBANNE

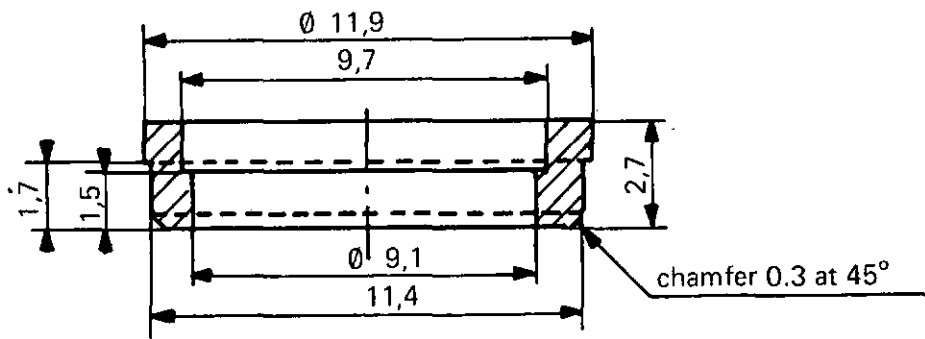
**REFERENCE :** 244 - 105

### SPECIFICATIONS

- the insulating material of the contact support is polyamide
- the contacts are special brass covered with a layer of a few microns of silver (silver plated contact)
- resistance to passing:
  - new contacts: 0.8 milli-ohm
  - contacts exposed during 48 hours to a temperature of 40°C in a sodium solution at 20% = 0.98 milli-ohm
  - dielectric strength, 2500 V
  - specific pressure of contact = 1.7 ks/mm<sup>2</sup>
  - insulating strength under normal conditions : 10<sup>12</sup> ohms
  - connection by clips of 6.35
  - nominal voltage = 500 Va.c.
  - nominal current: 36 A

### POLYAMIDE INSULATING RING for connector 244-105

Supplier: SLIM 8 et 5 rue François Giraud  
 69656 VILLEFRANCHE SUR SAONE



P4108 A4 3061

Le présent document est la propriété exclusive de "DELLE-ALSTHOM" Remis à titre confidentiel, il ne peut être communiqué à des tiers, ni utilisé ou reproduit, qu'en stricte conformité d'autorisations expresses préalables.

This document is the sole property of "DELLE-ALSTHOM" It is submitted on a confidential basis and may not be passed on the third parties, used or reproduced except in exact accordance with prior express permission.

C	21.6.82	UPDATED		KBA 12 17 200 052
B	23.12.80	UP. To DAY.		
Ø				
ÉTABLI PAR : ETELEC		LE : 07-79	VÉRIFIÉ PAR :	NUMÉRO
PREPARED BY :		ON :	CHECKED BY :	NUMBER
			212041/100	74/108

B

A

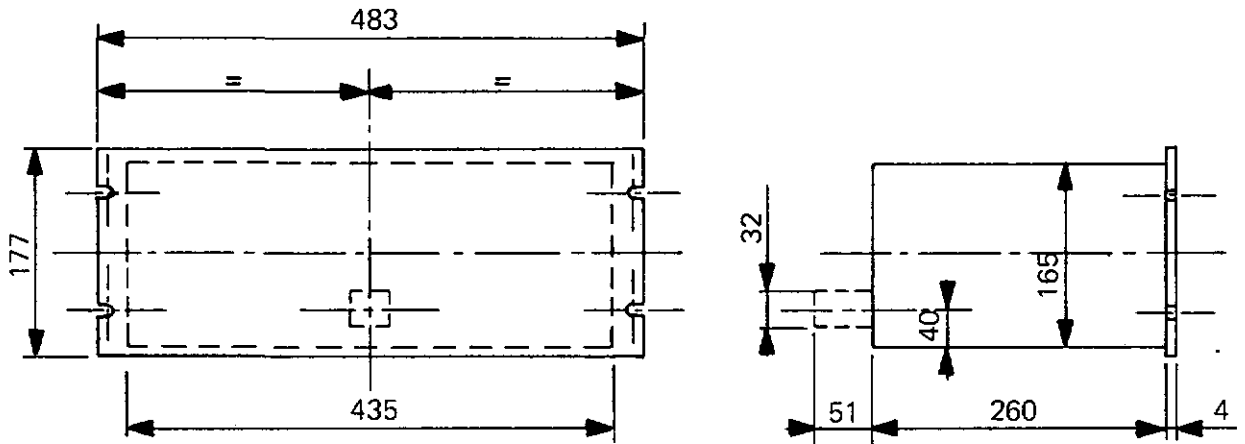
Etudes Installations  
 MACON  
 CHALON  
 MACON Soudeuses  
 Etablisse  
 Etablisse  
 Etablisse

# CHECK OF INSULATING STRENGTH

## R-A-E — TYPE 933

4/18\_1

**Supplier:** Recherches et Applications Electroniques  
 48, rue Louis Rolland  
 92 MONTROUGE - Telephone 253-62-06



**NOTE:** This front panel holds the elements for reading and switching which are not shown.

### SPECIFICATIONS

- mains voltage: either a.c. or d.c.
- maximum service voltage: 250 V peak
- maximum protection voltage: 500 V
- circuit resistance:  $1\text{ M}\Omega$
- adjustable alarm setting: 0/200 k $\Omega$
- signalling: red indicator lamp.

### SPECIFICATIONS FOR USE

- Power supply: sector 115/127/220 A.C.
- Drain: 10 W
- Connections by Jaeger connector with pins
- Weight: 4 kg
- Color: Cleveland grey

For operating instructions  
 refer to drawings  
 KBA 12.17.L00.060 and  
 KBA 12.17.L00.152 To 158.

P4108 A4 3061

Le présent document est la propriété exclusive de "DELLE-ALSTHOM". Remis à titre confidentiel, il ne peut être communiqué à des tiers, ni utilisé ou reproduit, qu'en stricte conformité d'autorisations expresses préalables.

This document is the sole property of "DELLE-ALSTHOM". It is submitted on a confidential basis and may not be passed on to the third parties, used or reproduced except in exact accordance with prior express permission.

C	21.6.82	Brought up to date		KBA12.17.L00.052
B	23.12.80	Brought up to date		
Ø				
ÉTABLI PAR : ETELEC		LE : 07-79	VÉRIFIÉ PAR :	NUMÉRO : 212041100
PREPARED BY :		ON :	CHECKED BY :	NUMBER

75/108

B

A

Etudes Installations  
 MACON  
 CHALON  
 de MACON Saugerries  
 Etablissem  
 Etablisser  
 Etablis

# JUNCTION BOX ON EQUIPMENT K

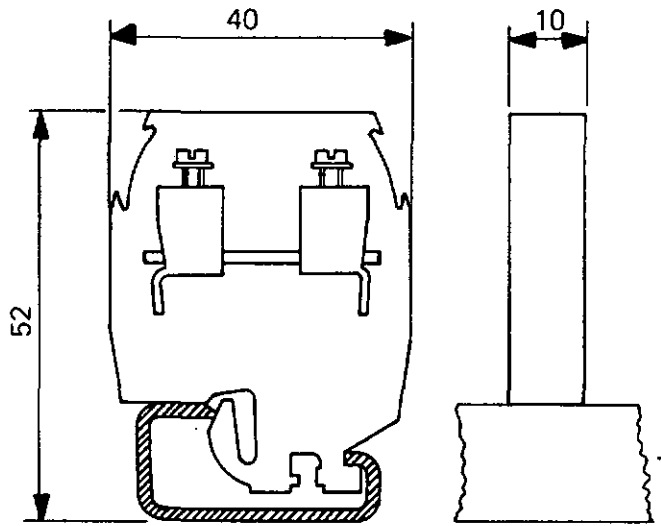
4/19 -1

**Supplier:** ENTRELEC  
 184-186 Léon Blum  
 69627 VILLEURBANNE

**Designation**  
 Junction box 100 LVV-160751

**Specifications**

Standards		UTE	
	Categories	B	C
nominal voltages	a.c.	500V	400V
	d.c.	500V	250V
amperage	heating	50°	65°
		71A	78A



**Connections**

Screw-in connections	by screw terminal screwdrivers Ø 6.5 blade 6.5 x 0.90	1 conductor 0.5 to 16 mm <sup>2</sup> 2 conductors 0.5 to 4 mm <sup>2</sup>	U 500V
		1 conductor 0.75 to 10 mm <sup>2</sup> 2 conductors 0.75 to 2.5 mm <sup>2</sup>	U 500SV

**Accessories**

- Asymmetrical section - L = 2m = 163050
- Stop = 163097
- End flange = 163085

**Insulation characteristics**

- Material: brown polyamide
- Flame spread: self-extinguishing

P4108 A4 3061

Le présent document est la propriété exclusive de "DELLE-ALSTHOM". Remis à titre confidentiel, il ne peut être communiqué à des tiers, ni utilisé ou reproduit, qu'en stricte conformité d'autorisations expresses préalables.

This document is the sole property of "DELLE-ALSTHOM". It is submitted on a confidential basis and may not be passed on the third parties, used or reproduced except in exact accordance with prior express permission.

C	21.6.82	UP DATED		KBA 12 17 L00 052
B	23.12.80	Brought up to date		
Ø				
ÉTABLI PAR : ETELEC		LE : 07-79	VÉRIFIÉ PAR :	NUMÉRO : 212041/100
PREPARED BY :		ON :	CHECKED BY :	76/108

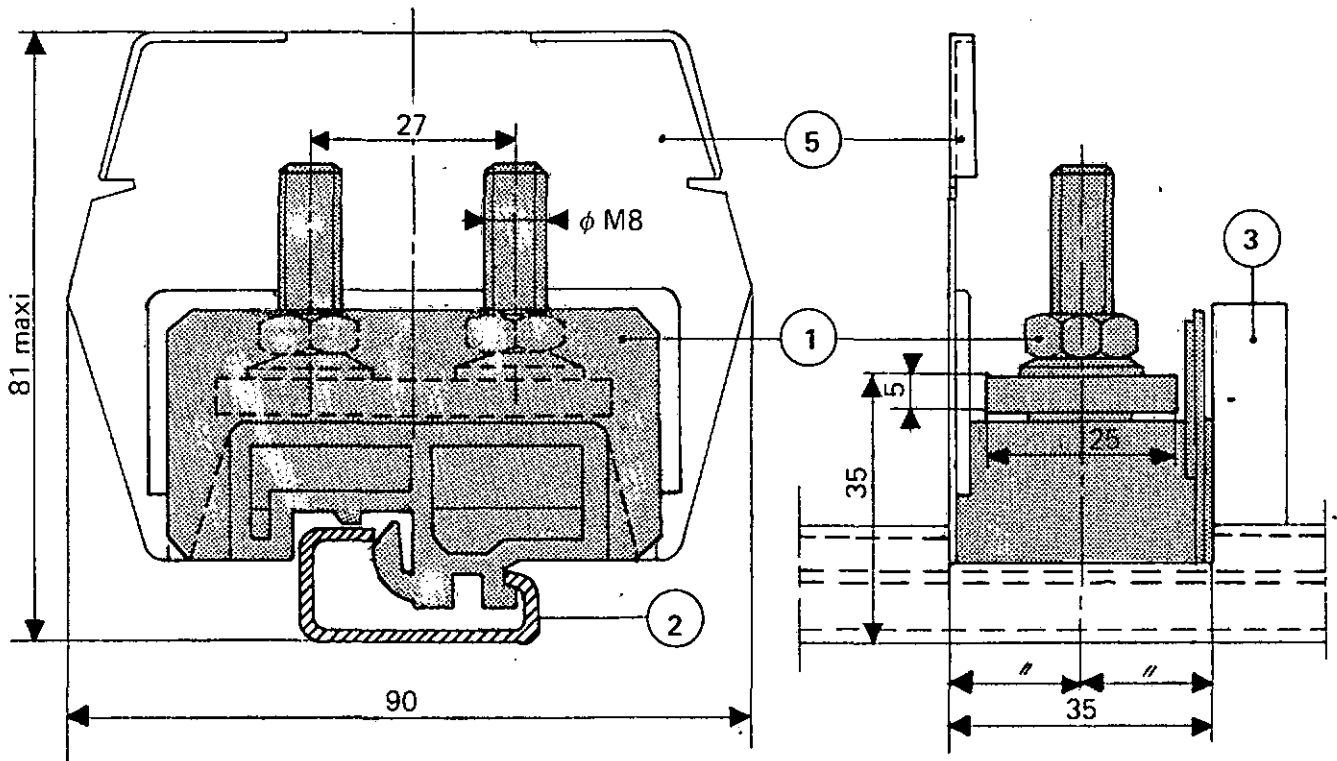
B

A

Etudes Installations  
 MACON  
 CHALON  
 De MACON Saugeraires  
 Etablissem  
 Etablissem  
 Etablissem

# JUNCTION BOX FOR POWER CIRCUIT (350 A)

4 / 20 - 1



## Specifications

Connecting capacity: 2 cables 95<sup>2</sup> of U 500 with lugs closed by rod  $\phi$  M 8  
2 busbars of 25 x 5

Standards		UTE		VDE		CSA
Category		B	C	B	C	
Nominal Voltages	a.c.		1000 V	1500 V	1000 V	600 V
	d.c.		1500 V		1200 V	
heating		50°	65°	45°		
Amperage by rod		335 A	369 A	310 A		

Pos.	Designation	Supplier's Reference ENTRELEC	D.A.E. Reference
1	Single junction 351 P 95 d.c.	▼ No. 162 817	754 035/1
2	Asymmetric section		
3	Stop	▼ No. 164 519	754 055/3
5	Snap in insulating screen	▼ No. 163 691	754 035/5

PL4108 A4 3061

Le présent document est la propriété exclusive de "DELLE-ALSTHOM". Remis à titre confidentiel, il ne peut être communiqué à des tiers, ni utilisé ou reproduit, qu'en stricte conformité d'autorisations expresses préalables.

This document is the sole property of "DELLE-ALSTHOM". It is submitted on a confidential basis and may not be passed on the third parties, used or reproduced except in exact accordance with prior express permission.

C 21.6.82	UP DATED	<b>DELLE ALSTHOM</b>	KBA 12.17 L00 052
ÉTABLI PAR PREPARED BY: ETELEC	LE ON: 07-79	VÉRIFIÉ PAR CHECKED BY: 1	NUMÉRO NUMBER: 212041/100
			77/108

B

A

DIE 103

Etudes Installations  
 MACON CHALON  
 le MACON Saugerates  
 Etablisement  
 Etablisement  
 Etablisement

# JUNCTION BOX

## JUNCTION BOXES WITH KNIFE CUTOUT

4/21-1

### TYPES

- ① Junction Box 162257.70 LT 2 C 6 2 C 6
- ② Junction Box, with knife cutout 160528 81 Ic VV

### ELECTRICAL SPECIFICATION

- \* UTE NF C 20040 • UTE NF C 83065
- ▲ UTE NF C 20420

Nominal Voltage *	162257		160528	
	Category B 750 V ~ and ==	Category C 500 V ~ and ==	Category B' 500 V ~ and ==	Category C 400 V ~ 250 V ==
Test voltage 50Hz 1mn •	2500 V		2500 V	
Nominal current •   A	40		16	
Current per clip ▲   A	20			

### CONNECTIONS

160528	Capacity for side	Mini. Tightening to zero	Maxi.	
			1 conductor	2 conductors
Screw-in using terminal screw with screwdriver Ø 5			10mm <sup>2</sup> U500V	15mm <sup>2</sup>
			6mm <sup>2</sup> U500SV	U500V DV SV
			4mm <sup>2</sup> U500DV	

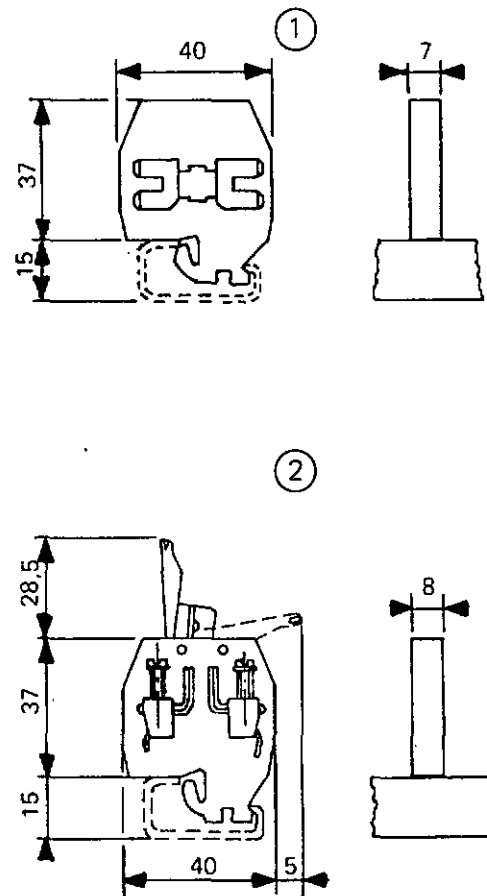
162257	Capacity per clip	Mini.	Maxi.
		1 conductor 0.5 mm <sup>2</sup>	1 conductor 4mm <sup>2</sup>
Clip of 6.3 x 0.8 (see note)		According to manufacturers catalogs	

### NOTE

Bare clip protected by insulating sleeve, to comply with insulating strengths.

### CHARACTERISTICS OF THE INSULATION

- brown polyamide material
- flame spread: self-extinguishing.



### ACCESSORIES

Asymmetrical section 2m	163050
Stop	163087
End flange for 160528	163085
End flange for 162257	163552
Information plate	8409
Label holder, height 30 mm, width 6 mm	167334
Card, 160 unused labels 29 x 5	163518

P4108 A4 3061

Le présent document est la propriété exclusive de "DELLE-ALSTHOM". Remis à titre confidentiel, il ne peut être communiqué à des tiers, ni utilisé ou reproduit, qu'en stricte conformité d'autorisations expresses préalables.

This document is the sole property of "DELLE-ALSTHOM". It is submitted on a confidential basis and may not be passed on the third parties, used or reproduced except in exact accordance with prior express permission.

C	21.6.82	Up dated	<b>DELLE ALSTHOM</b>	KBA 12.17.100.052
Ø				78/108
ÉTABLI PAR PREPARED BY	ETELEC	LE ON	07-79	VÉRIFIÉ PAR CHECKED BY
				NUMÉRO NUMBER
				212 041 / 100

B

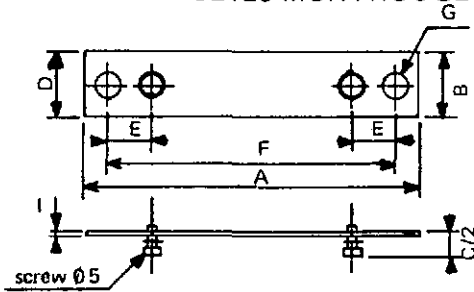
A

DIE 103

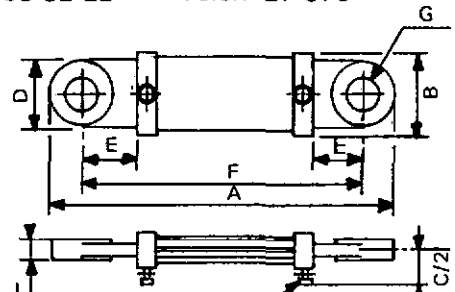
# SHUNTS FOR POWER SUPPLY FOR AMMETERS

4/22-1

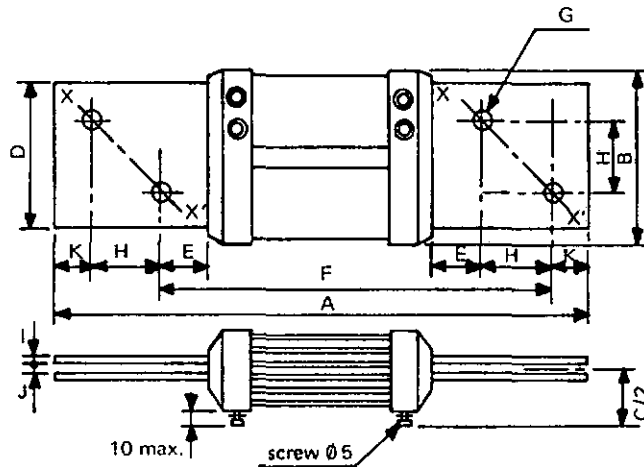
SUPPLIER: Compteurs SCHLUMBERGER — 12 place des Etats-Unis - BP 120  
92120 MONTROUGE Telephone: 655-62-22 Telex 27 676



overall dimensions 1  
( 15 ..... 200 A )



overall dimensions 2  
( 250 ..... 500 A )



overall dimensions 3  
( 600 ..... 10 000 A )

Rating	A	B	C	D	E	F	G	H	I	J
60A	184	32	24	32	17	160	10		1,8	
100A	184	32	24	32	22	160	10		1,8	
200A	220	62	24	62	32	180	14		1,8	
300A	210	58	40	36	26	180	14		12	
500A	243	58	45	48	36	200	18		14	
600A	270	58	52,5	50	17,5	220	11	25	5	51 <sup>+0,2</sup> <sub>-0</sub>

**OVERALL DIMENSIONS:** see above table

**SPECIFICATIONS**

- ratings: see above table
- nominal voltage: 100 mV
- precision classification: 0,5
- overload capacity
  - ratings 60 to 500 A : 10 In during 5 seconds
  - ratings 600 A : 5 In during 5 seconds

P4108 A4 3061

Le présent document est la propriété exclusive de "DELLE-ALSTHOM". Remis à titre confidentiel, il ne peut être communiqué à des tiers, ni utilisé ou reproduit, qu'en stricte conformité d'autorisations expresses préalables.

This document is the sole property of "DELLE-ALSTHOM". It is submitted on a confidential basis and may not be passed on the third parties, used or reproduced except in exact accordance with prior express permission.

<input type="checkbox"/> Erblissements <input checked="" type="checkbox"/> Erblisser <input type="checkbox"/> Erblisse	C 21.6.82 Ø	UPDATED	DELLE ALSTHOM	KBA 12 17 L00 052 79/108
ÉTABLI PAR : ETELEC PREPARED BY:	LE ON : 07-79	VÉRIFIÉ PAR : CHECKED BY:	NUMÉRO NUMBER 212041/100	

B

A

Etudes Installations  
 MACON CHALON  
 MACON Saugeraires



# CURRENT TRANSFORMER FOR INPUT CELL

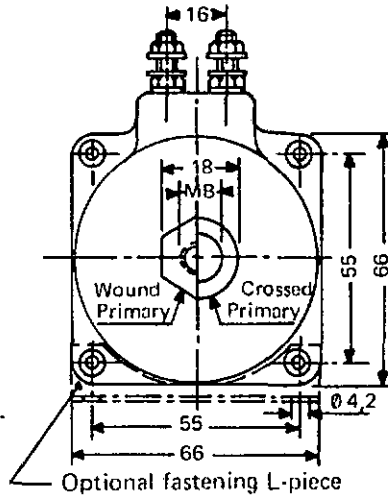
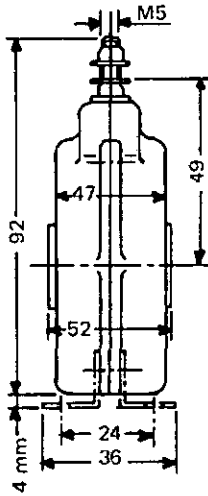
4/23\_1

**Manufacturer**

CONSTRUCTION ELECTRIQUE RS

45, avenue des Acacias - 45120 CEPOY - Tel. : (38) 85-62-62

Telex: 78 910



**Transformer Reference**

TA 2 GB

**Electrical specifications**

Maximum service voltage: 220 V  
 Insulating strength: 500 V  
 Test voltage: 3000 V  
 Frequency: 50 Hz  
 Primary currents: 30 or 100 A  
 Secondary currents: 5 A  
 Power: 7.5 VA  
 Precision category: 1

**Information to be specified on the order**

TA 2 GB 30/5 A or 100/5 A  
 7.5 VA cl 1 50 Hz

Self-extinguishing material

**Reference of the Adder Transformer**

TA 3 PBT

**Electrical specifications**

Maximum service voltage: 220 V  
 Insulating strength: 500 V  
 Test voltage: 3000 V  
 Frequency: 50 Hz  
 Power supply of each of the primaries  
 by a CT: 100/5 A  
 Secondary currents: 5 A  
 Power: 5 VA  
 Precision category: 1

**Information to be specified on the order**

TA PBT 5 + 5 + 5/5 A 5 VA cl 1 - 50 Hz - Fonction AND  
 Power supply of each of the primaries by a current transformer 100/5 A  
 Self-extinguishing material.

PH108 A4 3061

Le présent document est la propriété exclusive de "DELLE-ALSTHOM". Remis à titre confidentiel, il ne peut être communiqué à des tiers, ni utilisé ou reproduit, qu'en stricte conformité d'autorisations expresses préalables.

This document is the sole property of "DELLE-ALSTHOM". It is submitted on a confidential basis and may not be passed on the third parties, used or reproduced except in exact accordance with prior express permission.

C	21.6.82	UP DATED	DELLE ALSTHOM	KBA 12 17 L00 052
Ø				80/108
ÉTABLI PAR : ETELEC		LE : 07-79	VÉRIFIÉ PAR :	NUMÉRO : 212041/100
PREPARED BY :		ON :	CHECKED BY :	NUMBER :

Etudes Installations  
 MACON  
 CHALON  
 MCON Saugeraires  
 Etablissement  
 Etablisser  
 Etablisser

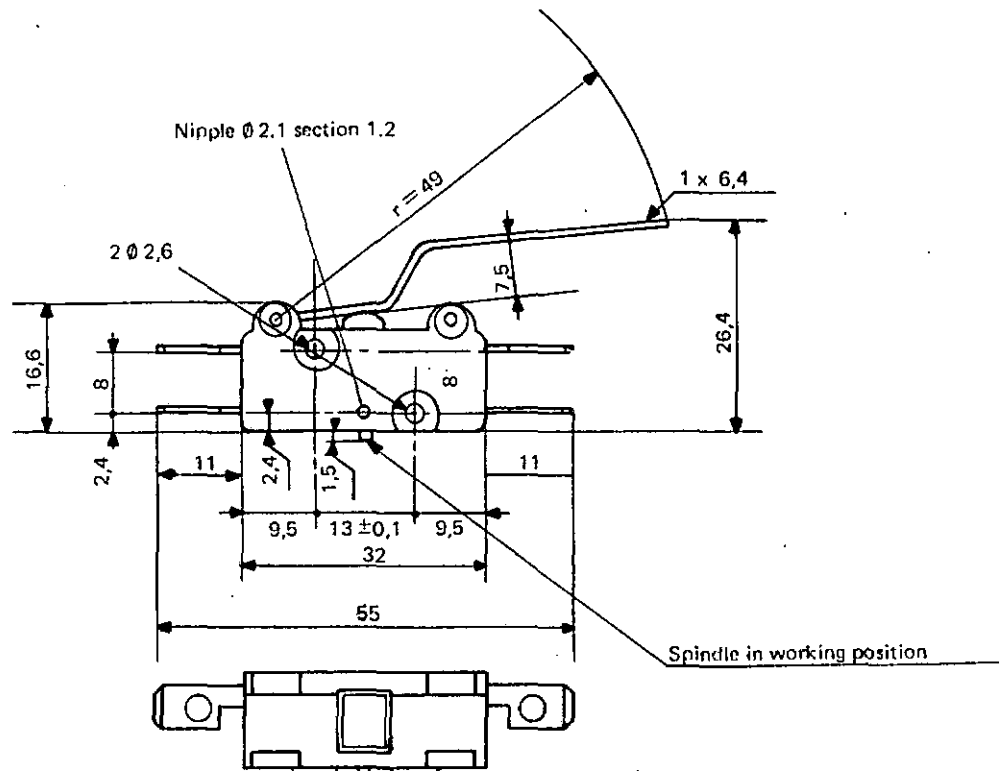
B

A

DIE 103

# MICROSWITCH , CROUZET

4 / 24 - 1



Rating : Nominal 5 A  
Thermal 17.5 A

Reference: 83101-97-1-W3-A

Specifications:

- Maximum control force : 4 N
- Minimum release force : 1 N
- Differential travel : 0.5 ± 0.2 mm
- Approach travel : 1.35 mm maxi
- Residual outgoing travel : 0.7 mm mini
- Between contacts : 0.4 x 2 mm
- Service temperature : -20 + 85°C
- Mechanical endurance : 10<sup>7</sup> cycles
- Weight : 7.4 g
- Insulating strength : 1500 V between energized parts and ground  
1000 V between contacts

Supplier : CROUZET  
Route d'Alixan - BP 138  
26010 VALENCE  
Tel. (75) 42-91-44

PL4108 A4 3061

Le présent document est la propriété exclusive de "DELLE-ALSTHOM" Remis à titre confidentiel, il ne peut être communiqué à des tiers, ni utilisé ou reproduit, qu'en stricte conformité d'autorisations expresses préalables.

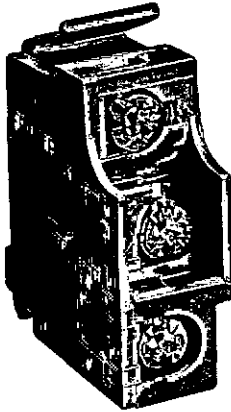
This document is the sole property of "DELLE-ALSTHOM" It is submitted on a confidential basis and may not be passed on the third parties, used or reproduced except in exact accordance with prior express permission.

C	21.6.82	UPDATED	DELLE ALSTHOM	KBA 12 17 L00 052
Ø				81/108
ÉTABLI PAR : PREPARED BY :	ETELEC	LE : ON :	07-79	VÉRIFIÉ PAR : CHECKED BY :
				NUMÉRO NUMBER
				212041/100

B

A

Etudes Installations  
 1  
 Etablissements  
 CON ALON  
 MAISON SAUGERIES



Main

Range of product	Compact CVS100...250 Compact CVS400...630 INS250 INS320...630 INS40...160 INS630b...2500 INV100...250 INV320...630 INV630b...2500 NG160 NR100...250 NR400...630 NSC100 NSX100...250 NSX400...630
------------------	--

Device short name	OF SD SDE SDV
-------------------	------------------------

Signal contacts composition	1 NO/NC
-----------------------------	---------

Complementary

Auxiliary contacts type	Standard
[I <sub>th</sub> ] conventional free air thermal current	6 A
[I <sub>e</sub> ] rated operational current	0,03 A DC-14 250 V DC 0,05 A DC-14 110 V DC 0,1 A AC-15 660/690 V AC 50/60 Hz 0,2 A DC-14 48 V DC 0,3 A DC-12 250 V DC 0,6 A DC-12 110 V DC 1 A DC-14 24 V DC 1,5 A AC-15 480 V AC 50/60 Hz 2 A AC-15 380/440 V AC 50/60 Hz 2,5 A DC-12 48 V DC 4 A AC-15 220/240 V AC 50/60 Hz 5 A AC-15 110 V AC 50/60 Hz 6 A AC-12 24 V AC 50/60 Hz 6 A AC-12 48 V AC 50/60 Hz 6 A AC-12 110 V AC 50/60 Hz 6 A AC-12 220/240 V AC 50/60 Hz 6 A AC-12 380/440 V AC 50/60 Hz 6 A AC-12 480 V AC 50/60 Hz 6 A AC-12 660/690 V AC 50/60 Hz 6 A AC-15 24 V AC 50/60 Hz 6 A AC-15 48 V AC 50/60 Hz 6 A DC-12 24 V DC
Minimum load	100 mA 24 V

Environment

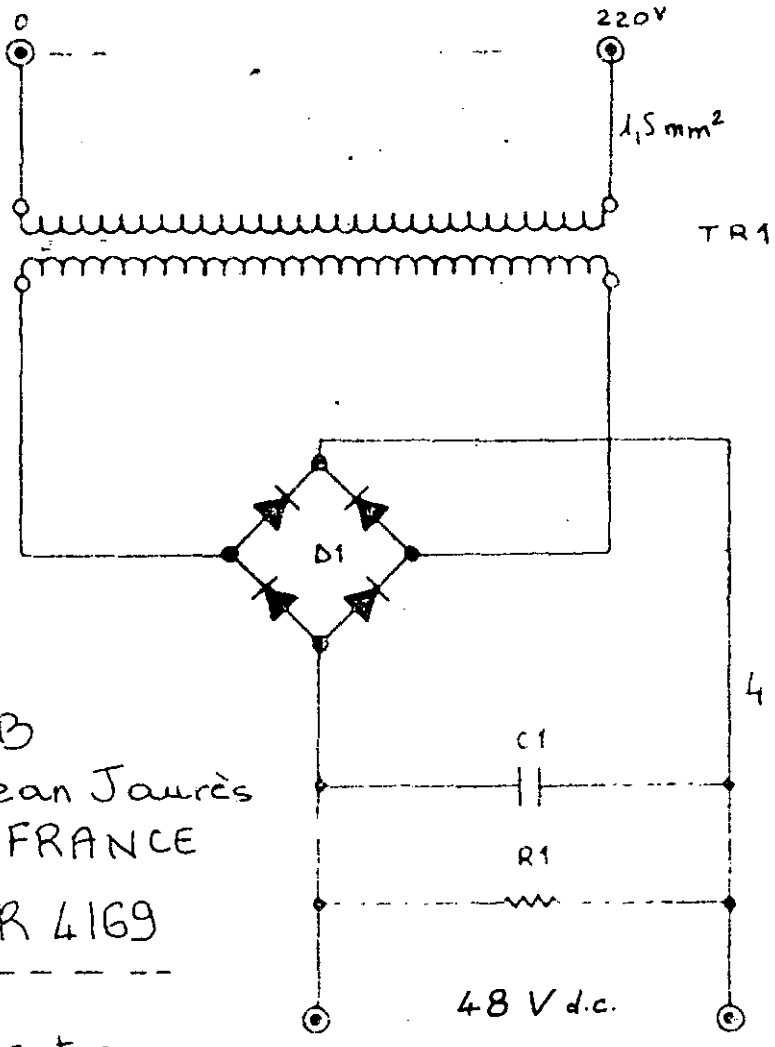
RoHS EUR conformity date	0701
RoHS EUR status	Compliant

82/108

The information provided in this documentation contains general descriptions and/or technical characteristics of the performance of the products contained herein. This documentation is not intended as a substitute for and is not to be used for determining suitability or reliability of these products for specific user applications. It is the duty of any such user or integrator to perform the appropriate and complete risk analysis, evaluation and testing of the products with respect to the relevant specific application or use thereof. Neither Schneider Electric Industries SAS nor any of its affiliates or subsidiaries shall be responsible or liable for misuse of the information contained herein.

# TRANSFORMER RECTIFIER 220Vac/48V.d.c.

4/25\_1



Supplier

Sté C.A.B  
 41 Bd Jean Jaurès  
 Clichy - FRANCE  
 Type : R 4169

- C1 = Condensator 33000µF. 63V
- D1 = Rectifier SKB2504
- R1 = Resistor RW/Bx34 .390Ω
- TR1 = Transformer 126M43

Supply = 220V ± 1% single phase - 50Hz  
 Distribution = 41,4 to 52,9V direct current - 40 W durable  
 600 W/peak - 20 ms

PH108 A4 3061

Le présent document est la propriété exclusive de "DELLE ALSTHOM". Remis à titre confidentiel, il ne peut être communiqué à des tiers, ni utilisé ou reproduit qu'en stricte conformité d'autorisations expressément préalables.

This document is the sole property of "DELLE-ALSTHOM". It is submitted on a confidential basis and may not be passed on the third parties, used or reproduced except in exact accordance with prior express permission.

C	21.06.82	Brought up to date	DELLE ALSTHOM	KBA 12.17 L00 052
Ø				
ÉTABLI PAR PREPARED BY		LE ON	VÉRIFIÉ PAR CHECKED BY	NUMÉRO NUMBER
ETELEC		07-79		212041/100

83/108

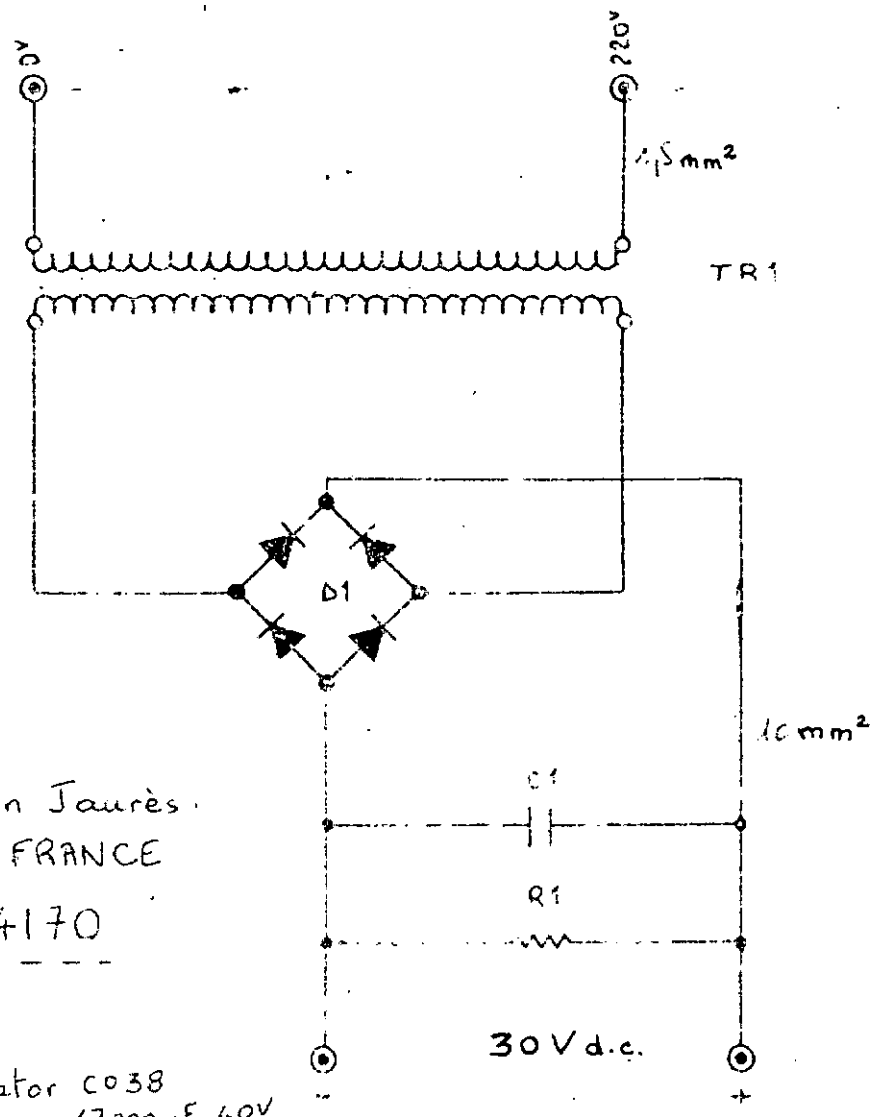
Etudes Installations  
 1  
 Etablissement de MACON  
 CHALON  
 MAÇON

B

A

# TRANSFORMER RECTIFIER 220Vac/30Vdc

4 / 26 - 1



Supplier.

Sté C.A.B  
 41 Bd Jean Jaurès  
 Clichy - FRANCE

Type: R4170

C1: Condensator C038  
 47000µF. 40V

D1: Rectifier B80/70-51  
 R1: Resistor RW 13x70. 56.Ω  
 TR1: Transformer 180M 120

Supply = 220V a.c. ± 1% single phase 50 Hz  
 Distribution = 27,3 to 32V - 1000W - direct current

P4108 A4 3061

Le présent document est la propriété exclusive de DELLE ALSTHOM. Remis à titre confidentiel, il ne peut être communiqué à des tiers ni utilisé ou reproduit, qu'en stricte conformité d'autorisations expresses préalables.

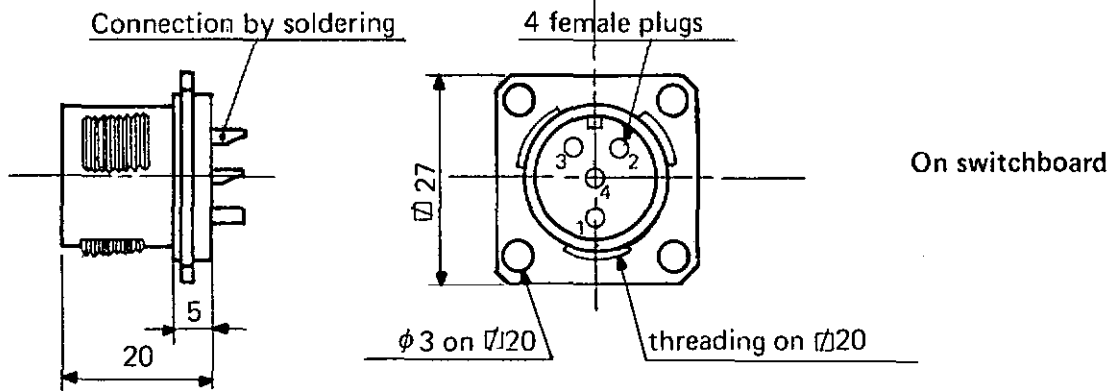
This document is the sole property of DELLE ALSTHOM. It is submitted in a confidential basis and may not be passed on the third parties, used or reproduced except in exact accordance with prior express permission.

Etablissement MACON  
 Etudes Installations  
 CHALON  
 Etablissement MACON  
 Souterrain

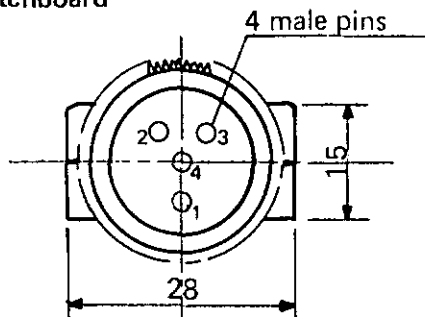
C 21.6.62	Brought up to date	<b>DELLE ALSTHOM</b>	KBA 12 17 L00 052
ETABLI PAR PREPARED BY	ETELEC	LE ON 07-79 CHECKED BY	NUMERO NUMBER 212041/100
			84/108

# CONNECTORS FOR INSULATING STRENGTH MONITORS

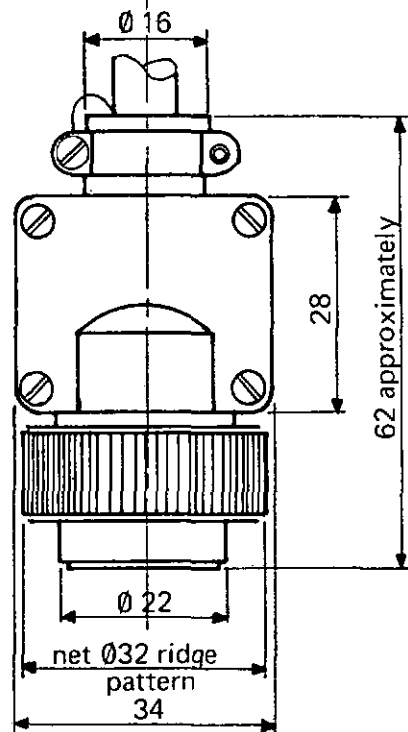
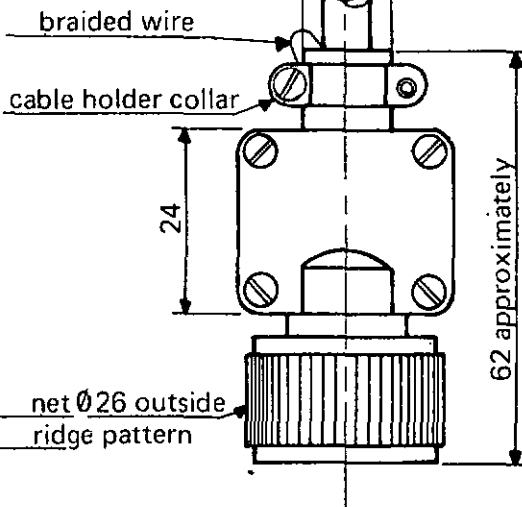
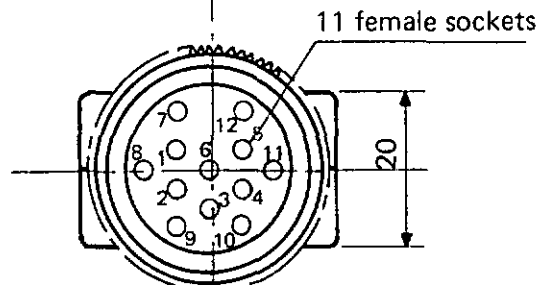
4 / 27 - 1



On cord for connection on switchboard



Connection on RAE



PH108 A4 3061

Le présent document est la propriété exclusive de "DELLE-ALSTHOM". Remis à titre confidentiel, il ne peut être communiqué à des tiers, ni utilisé ou reproduit, qu'en stricte conformité d'autorisations expresses préalables.

This document is the sole property of "DELLE-ALSTHOM". It is submitted on a confidential basis and may not be passed on to the third parties, used or reproduced except in exact accordance with prior express permission.

C	21.6.82	UP DATED	DELLE ALSTHOM	KBA 12 17 L00 052
Ø				85/108
ÉTABLI PAR PREPARED BY	ETELEC	LE ON	07-79	VÉRIFIÉ PAR CHECKED BY
				NUMÉRO NUMBER
				212041/100

B

A

DIE 103

Établissement : MACON  
Établissements : CHALON  
Établissements : MACON Sougères

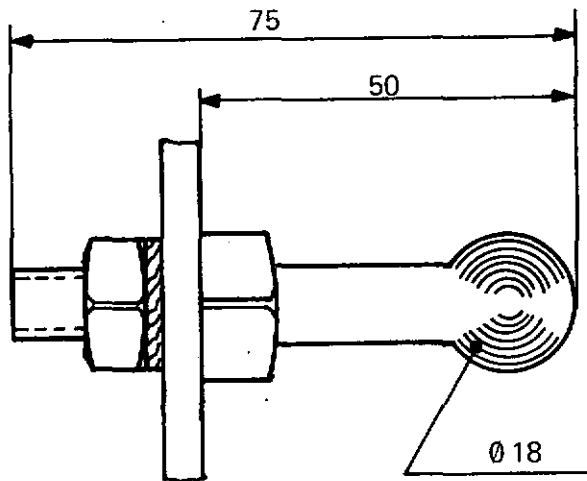
Etudes Installations

B

A

# GROUND CONNECTION

4 / 28\_1



### SUPPLIER

CATU 10 - 18 avenue Jean Jaurès 92222 BAGNEUX  
 Tel. 735-16-20      Telex 250 720

### REFERENCE

MT 951/I

### SPECIFICATIONS

Weight: 0.09 kg  
 Material: copper-aluminum  
 Short circuit capacity: 10000 A/1 second

MACON  
 CHALON  
 MACON Sougeries  
 Etudes Installations  
 1  
 Etablissem.  
 Etablis.  
 Etablis.

PL408 A4 3061

Le présent document est la propriété exclusive de "DELLE-ALSTHOM". Remis à titre confidentiel, il ne peut être communiqué à des tiers, ni utilisé ou reproduit, qu'en stricte conformité d'autorisations expresses préalables.

This document is the sole property of "DELLE-ALSTHOM". It is submitted on a confidential basis and may not be passed on the third parties, used or reproduced except in exact accordance with prior express permission.

KBA 12.17 L00 052

C	21.6.82	UP DATED
Ø		



ÉTABLI PAR : ETELEC    LE : 6 79    VÉRIFIÉ PAR :  
 PREPARED BY :      ON :                      CHECKED BY :

NUMÉRO 212041/100  
 NUMBER

86/108

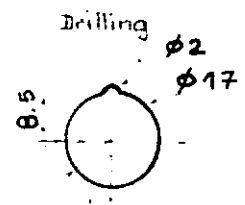
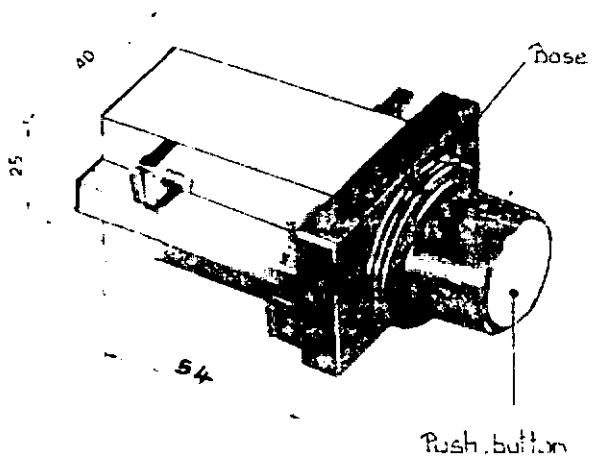
B

A

# PUSH BUTTON 'UPM'

4/29-1

Supplier    ENTRELEC  
 BP n°204  
 69627 - VILLEURBANNE /



Base and Push button are black

Mounting

Metal clad thickness	Qty of Space washer
2 mm	4
3 mm	3
4 mm	2
5 mm	1
6 mm	0

Connections

by double clips 6.35

Electrical characteristics

Nominal voltage        = 500 V  
 Mechanical withstand    1.500.000 operations  
 Breaking capacity        = 5A (220 V AC)  
 Model                      = UPM - F101 (1 reversing contact)

P4108 A4 3061

Le présent document est la propriété exclusive de "DELLE ALSTHOM". Remis à titre confidentiel, il ne peut être communiqué à des tiers ni utilisé ou reproduit, qu'en stricte conformité d'autorisations expresses préalables.

This document is the sole property of "DELLE ALSTHOM". It is submitted on a confidential basis and may not be passed on the third parties, used or reproduced except in exact accordance with prior express permission.

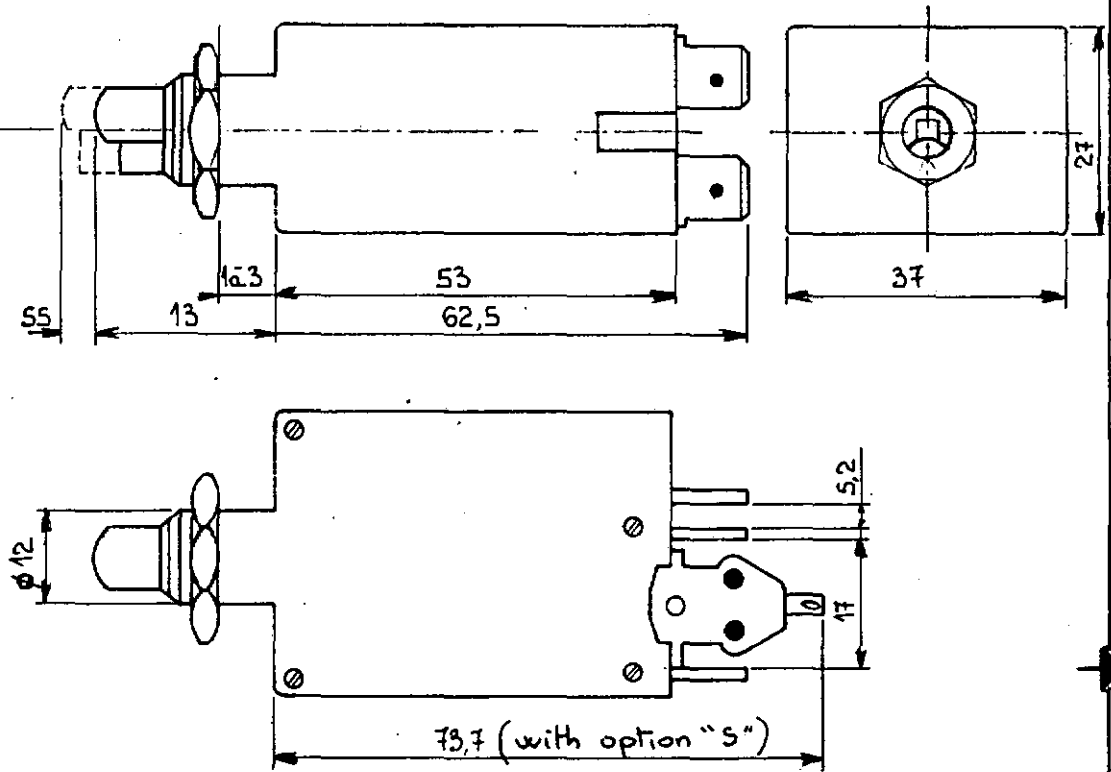
C	21.6.82	This Sheet added	<b>DELLE ALSTHOM</b>	KBA 12.17 L00 052
B				(87/108)
ETABLI PAR PREPARED BY NIV		LE ON	VÉRIFIÉ PAR CHECKED BY	NUMÉRO NUMBER 212 041 / 100

Etablissement de MACON  
 Etablissement de CHALON  
 Etablissement de MACON Saugues



CIRCUIT BREAKER 420.MT.C.3A 4/30.1

Supplier: LANDIS et GYR-MIME  
 81, rue Charles-Nodier  
 93500 PANTIN. Tel: (1) 843.11.74.



Reference: SECUREX 420 MT.C. 3A (Supplier code: 26136)

Type: SECUREX 400

- 420 = bipolar circuit breaker
- MT = Magnetic and Thermal releases
- C = Temperature range: -40 to +70°C
- 3A = Rated current

Service voltage: up to 380V<sub>N</sub> or 250V<sub>N</sub>

Option: SECUREX 420 MT.C.S. (Supplier code: 26146)

"S" means "Remote signalisation"

PH108 A4 3061

Le présent document est la propriété exclusive de "DELLE ALSTHOM". Remis à titre confidentiel il ne peut être communiqué à des tiers ni utilisé ou reproduit, qu'en stricte conformité d'autorisations expresses préalables.

This document is the sole property of "DELLE-ALSTHOM". It is submitted on a confidential basis and may not be passed on the third parties, used or reproduced except in exact accordance with prior express permission.

C	21.6.82	This sheet added	<b>DELLE ALSTHOM</b>	KBA 12 17 L00 052
Ø			NUMÉRO NUMBER 212041/100	88/108
ÉTABLI PAR PREPARED BY		LE ON	VÉRIFIÉ PAR CHECKED BY	

Etablissement de MACON  
 Etablissement de CHALON  
 Etablissement de MACON Saugerries

B

A

19,5 KVA TRANSFORMER OU 87x313

4 / 31.1

2

2

1

1

P410B.A4.3061

Le présent document est la propriété exclusive de "ALSTHOM ATLANTIQUE" Remis à titre confidentiel, il ne peut être communiqué à des tiers, ni utilisé ou reproduit, qu'en stricte conformité d'autorisations expresses préalables.

This document is the sole property of "ALSTHOM ATLANTIQUE" It is submitted on a confidential basis and may not be passed on the third parties, used or reproduced except in exact accordance with prior express permission.

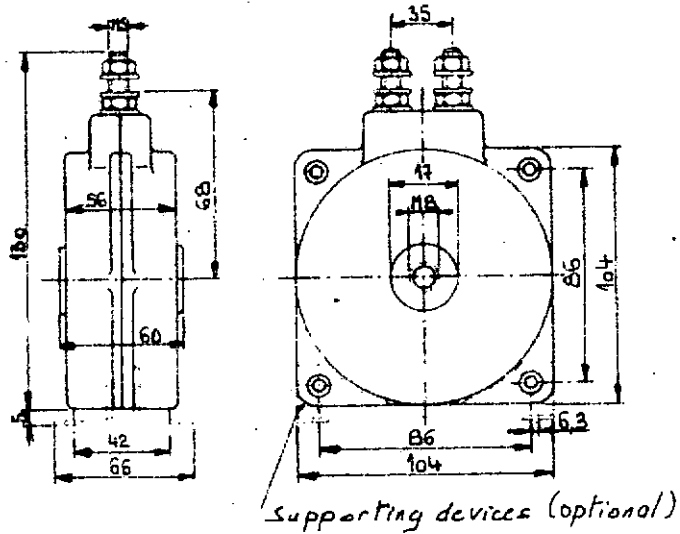
This sheet added			21.6.82	-	C	<b>ALSTHOM</b> <b>ATLANTIQUE</b> <small>EQUIPEMENTS D'ALTEC TENSION</small> <b>DELLE-ALSTHOM</b>	KBA12.17.L.00.052
MODIFICATIONS			DATES	N°MOD	IND		
ÉTABLI PAR : Gressard		LE : 21.6.82	VÉRIFIÉ PAR :		NUMÉRO : 318 041 / 100		<div style="border: 1px solid black; border-radius: 50%; padding: 5px; display: inline-block;">89/108</div>
PREPARED BY		ON :	CHECKED BY :		NUMBER		

B

A

# CURRENT TRANSFORMER PB 100/5 4/32.1

Supplier : R.S.  
 45 Avenue des Acacias  
 45120 - CEPOY  
 Phone : FRANCE (16) 38.85.62.62



## Specification Type PB

- ratio : primary current = 100 A  
 secondary current = 5 A
- accuracy power ..... 7,5 VA
- accuracy class ..... cl. 1
- maximum service voltage ..... 600 V
- insulation voltage ..... 750 V
- dielectric test ..... 3000 V
- admissible over current ..... 80 In/1s

## Optional

- Supporting devices

P4108 A4 3061

Le présent document est la propriété exclusive de "DELLE ALSTHOM". Remis à titre confidentiel, il ne peut être communiqué à des tiers ni utilisé ou reproduit qu'en stricte conformité d'autorisations expresse préalables.

This document is the sole property of "DELLE ALSTHOM". It is submitted on a confidential basis and may not be passed on the third parties, used or reproduced except in exact accordance with prior express permission.

<input type="checkbox"/>	<input type="checkbox"/>	<input type="checkbox"/>	<input type="checkbox"/>	<input type="checkbox"/>	<input type="checkbox"/>	<input type="checkbox"/>	<input type="checkbox"/>
ETABLISSEMENT		LE		VÉRIFIÉ PAR		NUMÉRO	
PREPARED BY		ON		CHECKED BY		NUMBER	
Bressard		21.6.82		This sheet added		KBA 12.17 L00052	
						90/108	

Etabli de MACON  
 Etabli de CHALON  
 Etabli de MACON Saugerases

B

A

# DRAWINGS

5

10-1

Diagrams

11-1

Equipment drawings

2

2

1

1

Etablissement de MACON  
 Etablissement de CHALON  
 Etablissement de MACON Saugerolles

P4108 AH 3061

Le présent document est la propriété exclusive de "DELLE-ALSTHOM". Remis à titre confidentiel, il ne peut être communiqué à des tiers, ni utilisé ou reproduit, qu'en stricte conformité d'autorisations expresses préalables.

This document is the sole property of "DELLE-ALSTHOM". It is submitted on a confidential basis and may not be passed on the third parties, used or reproduced except in exact accordance with prior express permission.

<input type="checkbox"/>	<input type="checkbox"/>	<input type="checkbox"/>							
C	21.6.82		Modifié (5140.1-5111.1)	<b>DELLE</b> <b>ALSTHOM</b>		KBA1217L00052			
Ø						91/108			
ÉTABLI PAR : PREPARED BY :			LE : ON :	VÉRIFIÉ PAR : CHECKED BY :		NUMÉRO : NUMBER :		2120411400	

B

A

B

A

# DIAGRAMS

5/10-1

STANDARD  
DIAGRAM  
KBA.12.17.000

WIRING  
DIAGRAM  
KBA.12.17.L 00

DESIGNATION

077

113

220 V AC - Switchboard  
Voltage and insulation monitoring circuit

078

114

220 V AC - Switchboard  
AC outgoing and incomer plate

079

115

220 V AC - Switchboard  
Relaying plate for 1 inverter incomer

080

116

220 V AC - Switchboard  
Voltage and insulation monitoring circuit

081

117

220 V AC - Switchboard  
Inverter incomer plate

082

118

220 V AC - Switchboard  
Relaying plate for 3 inverter incomers

083

119

220 V AC - Switchboard  
Voltage and insulation monitoring circuit *30 Vp.*

084

120

220 V AC - Switchboard  
1000 W rectifier plate (30 V DC)

085

121

220 V AC - Switchboard  
AC outgoing plate

086

122

220 V AC - Switchboard  
500 W rectifier plate (48 V DC)

087

123

220 V AC - Switchboard  
500 W rectifier and DC outgoing plate

088

124 *x*

220 V AC - Switchboard  
DC outgoing plate

105

130

220 V AC - Switchboard  
Voltage and insulation monitoring circuit

106

131

220 V AC - Switchboard  
Transformer cell

107

132

220 V AC - Switchboard  
Relaying plate

108

133

220 V AC - Switchboard  
AC outgoing and incomer plate

Le présent document est la propriété exclusive de "DELLE-ALSTHOM". Remis à titre confidentiel, il ne peut être communiqué à des tiers, ni utilisé ou reproduit, qu'en stricte conformité d'autorisations expresses préalables.

This document is the sole property of "DELLE-ALSTHOM". It is submitted on a confidential basis and may not be passed on the third parties, used or reproduced except in exact accordance with prior express permission.

C 21.6.82

This sheet added



P4108 A4 3061  
KBA.12.17.400052

92/108

ÉTABLI PAR :  
PREPARED BY: NIV.

LE :  
ON

VÉRIFIÉ PAR :  
CHECKED BY

NUMÉRO : 212041/100  
NUMBER

B

A

Etablissement de MACON  
Etablissement de CHALON  
Etablissement de MACON Sougères

1

2

2

1



**B** **A**

# SPARE PARTS

**6**

- 10-1-2    Circuit breakers J1 - J4 and K1 to K7
- Switches J0
- 11-1        Complete equipment and spare parts
- 12-1        Auxiliary components

2



2

Etabliss. MACON  
 Etabliss. CHALON  
 Etabliss. MACON Saugeraires  
 Etudes Installations  
 1

P4108 A4 3061

Le présent document est la propriété exclusive de "DELLE-ALSTHOM". Remis à titre confidentiel, il ne peut être communiqué à des tiers, ni utilisé ou reproduit, qu'en stricte conformité d'autorisations expresses préalables.

*This document is the sole property of "DELLE-ALSTHOM". It is submitted on a confidential basis and may not be passed on the third parties, used or reproduced except in exact accordance with prior express permission.*

C	21.6.82	UP DATED		KBA1217L00052
B	23.12.80	Brought up to date		
Ø				
ÉTABLI PAR : ETELEC		LE : 07-79	VÉRIFIÉ PAR :	NUMÉRO
PREPARED BY :		ON :	CHECKED BY :	NUMBER
				<div style="border: 1px solid black; padding: 2px; display: inline-block;">94/108</div>

**B**

**A**

# SPARE PARTS

6/10-1

## I - CIRCUIT BREAKER DT 200 RH-ZB (output)

a) Fixed part base  
Specification according to parts list 119 727/100

b) Moving part  
Specification according to parts list 119 726/101  
(specify the setting of the releases on the order)

NOTE: Bases and moving parts are to be ordered from DELLE-ALSTHOM at CHALON/SAONE

### c) Spare parts for DT 200

- cutoff chamber ref. LS 201 642-G1
- handle ref. 67 788-003
- contact for triggering on defect ref. 271-2959-4
- auxiliary contact «on-off» ref. 271-2950-4
- device for triggering before unplugging ref. 271-9253-4
- moving part wiring cutoff block ref. 271-9272-4
- fixed part wiring cutoff block ref. 271-9271-4
- plug-in gripper on busbars ref. 119 728/100

NOTE: The magnetic and thermal releases must be fitted and set by UNELEC.

## II - ELFA CIRCUIT BREAKER (output)

a) Fixed part base (for 4 outputs)  
Specification according to parts list 119 820/101

b) Moving part  
Specification according to parts list 119 815/100

NOTE: Bases and moving parts are to be ordered from DELLE-ALSTHOM.

c) Spare parts  
Plug-in contact, ref. 244 105.

## III - SWITCH JT 200 (input)

a) Fixed part base  
Specification according to parts list 119 727/100

Le présent document est la propriété exclusive de "DELLE-ALSTHOM" Remis à titre confidentiel, il ne peut être communiqué à des tiers, ni utilisé ou reproduit, qu'en stricte conformité d'autorisations expresse préalables.

This document is the sole property of "DELLE-ALSTHOM" It is submitted on a confidential basis and may not be passed on the third parties, used or reproduced except in exact accordance with prior express permission.

P4108A43061

C	21.6.82	UP DATED		KBA1217L00052
Ø				95/108
ÉTABLI PAR : ETELEC PREPARED BY :		LE : 07-79 ON :	VÉRIFIÉ PAR : CHECKED BY :	NUMÉRO : 212041/100 NUMBER :

Etablissements MAGON  
 Etudes Installations CHALON  
 Etablissements MAGON Souveraines



B

A

# SPARE PARTS

6 / 10 -2

b) Moving part

Specification according to parts list 119 726/101

NOTE: Bases and moving parts are to be ordered from DELLE-ALSTHOM at CHALON/SAONE.

c) Spare parts for JT 200

See paragraph I (same DT 200)

2

2

Etudes Installations


MACON Saugerakies

Etablissement MACON  
Etablissem CHALON  
Etablissem MACON Saugerakies

P4108 A4 3061

Le présent document est la propriété exclusive de "DELLE-ALSTHOM" Remis à titre confidentiel, il ne peut être communiqué a des tiers, ni utilisé ou reproduit, qu'en stricte conformité d'autorisations expresses préalables.

This document is the sole property of "DELLE-ALSTHOM" It is submitted on a confidential basis and may not be passed on the third parties, used or reproduced except in exact accordance with prior express permission.

C	21.6.82	UP DATED		KBA 12 17 L00 052
Ø				96/108
ÉTABLI PAR : ETELEC		LE : 07-79	VÉRIFIÉ PAR :	NUMÉRO 212041/100
PREPARED BY :		ON :	CHECKED BY :	NUMBER

B

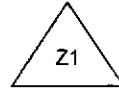
A

**SPARE PARTS**

6/10 - 3

**NS100N**

NSX100, 2 Pole, 100A Circuit Breaker; 25kA – D Curve – P/N: LV429620  
 Plug-in Base and Safety Trip + connections. P/N: LV429289  
 Aux Contact block – OF – P/N ref 29450  
 Short Terminal Shields – Part No.: LV429515  
 Connection Adapter – Part No.: LV429306



P4108.A4.3061

*This document is the sole property of "DELLE ASLSTHOM". It is submitted on a confidential basis and may not be passed on the third parties, used or reproduced except in exact accordance with prior express permission.*

				CONTRACTOR MEMBER	<b>ALSTHOM</b> NUMBER 212041/100														
Z1	YK	2012-06-26	MOD. 00042C; DDR 1248/11	CONTRACTOR MEMBER DWG No.	KBA.12.17.L.OO.052														
C		1982-06-21	UPDATED																
REV	DR. by	DATE	MODIFICATIONS																
DWG No.	<b>KBA</b>	1	2	1	7	L	O	O	0	5	2	A	0	2	9	L	S	R	97/108

# SPARE PARTS

6 / 11\_1

## EQUIPMENT

### I. COMPLETE EQUIPMENT

- Complete mount equipped with three fixed parts for type J0-J1-J4 equipment ref. 119 729/101 (without moving part)
- Complete mount equipped with four fixed parts for type K1 to K7 equipment ref. 119 820/101 (without moving part)
- Complete mount equipped with type J0 equipment and two type K1 to K7 equipment ref. 119 820/103 (without moving part)
- Moving part J0.J1.J4, ref. 119/726/101
- Moving part K1 to K7, ref. 119/815/100.


### II. SPARE PARTS FOR ABOVE EQUIPMENT

- Bare mount for three fixed parts J0.J1.J4 ref. 119 671/100
- Sealing plate, fixed part for above, ref.119 758/100
- Bare mount for four fixed parts K1 to K7 ref. 119 821/100
- Sealing plate, fixed part for above, ref. 119 811/100
- Bare mount for one fixed part J0 and two fixed parts K1 to K7, ref. 119 830/100
- Screen padlocking J0.J1.J4, ref. 119 669/100.

PH108 A4 3061

Le présent document est la propriété exclusive de "DELLE-ALSTHOM" Remis à titre confidentiel, il ne peut être communiqué à des tiers, ni utilisé ou reproduit, qu'en stricte conformité d'autorisations expresses préalables.

This document is the sole property of "DELLE-ALSTHOM" It is submitted on a confidential basis and may not be passed on to third parties, used or reproduced except in exact accordance with prior express permission.

C	21.06.82	up dated		KBA 12.17 L00 052
B	23.12.80	Brought up to date		
Ø				
ÉTABLI PAR : ETELEC		LE : 07-79	VÉRIFIÉ PAR :	NUMÉRO : 212041/100
PREPARED BY :		ON :	CHECKED BY :	98/108

Etablissement MACON  
 Etudes Installations CHALON  
 Etablissements MAÇON Saugeratiers

2

2

1

1

# SPARE PARTS

6/12\_1

## AUXILIARY COMPONENTS

See Sheet

### I. LAMP

Base BA9S - nominal voltage 60 V

4/11.1

### II. VOLTAGE RELAY

Built-in box, connections to the rear  
Rating 100 to 250 V (switchboards 250 V ~)  
Rating 20 to 50 V (switchboards 48 V d.c.)

4/12.2  
4/12.1

### III. AUXILIARY RELAY

Coil 48 V d.c.  
Base EVL 310

4/13.1

### IV. AMMETERS

NE 48

- A 90° graduated :  
0 to 48 A for TC 30/5 A  
0 to 400 A for TC 300/5 A
- C 90° graduated :  
0 to 48 V for shunt 40 A

4/12.2  
4/12.1

### V. VOLTMETER

NE 48

- C 90° graduated :  
0 to 60 V for switchboards 30 V d.c.
- A 90° graduated :  
0 to 250 V for 220 V ~ mains

4/15.1  
4/15.2

Ph108 A4 3061

Le présent document est la propriété exclusive de "DELLE-ALSTHOM". Remis à titre confidentiel, il ne peut être communiqué à des tiers, ni utilisé ou reproduit, qu'en stricte conformité d'autorisations expresses préalables.

This document is the sole property of "DELLE-ALSTHOM". It is submitted on a confidential basis and may not be passed on the third parties, used or reproduced except in exact accordance with prior express permission.

C	21.6.82	UPDATED		KBA12.17 L00 052
Ø				99/108
ÉTABLI PAR : PREPARED BY ETELEC		LE : ON. 07-79	VÉRIFIÉ PAR : CHECKED BY	NUMÉRO NUMBER 212041/100

Etablissement de MACON  
 Etudier HALON  
 Etablissements MACON Saugeraires  
 Etudes Installations

2

2



B

A

# OPERATION PLACING INTO SERVICE - MAINTENANCE

7

- 10 - 1 to 4      Manipulating the J0 equipment
- 11 - 1 - 2      Manipulating the K1 to K7 equipment
- 12 - 1            Delivery
- 14 - 1            Maintenance

2

2


Etudes Installations  
1

WACON  
CHALON  
MACON Saugeraires

PH108 A4 3061

Le présent document est la propriété exclusive de "DELLE-ALSTHOM". Remis à titre confidentiel, il ne peut être communiqué à des tiers, ni utilisé ou reproduit, qu'en stricte conformité d'autorisations expresses préalables.

This document is the sole property of "DELLE-ALSTHOM". It is submitted on a confidential basis and may not be passed on the third parties, used or reproduced except in exact accordance with prior express permission.

C	21.6.82	Up dated		KBA 1217400052	
B	23.12.80	Brought up to date			
Ø					
ÉTABLI PAR : ETELEC		LE : ON 07-79	VÉRIFIÉ PAR : CHECKED BY :	NUMÉRO NUMBER 212041/100	100/108

Établissem.  
 X

Établissem.

Établissem.

B

A

# MANIPULATING THE JO EQUIPMENT ( Three inverter inputs )

7/10\_1

## POSITION PLUGGED IN

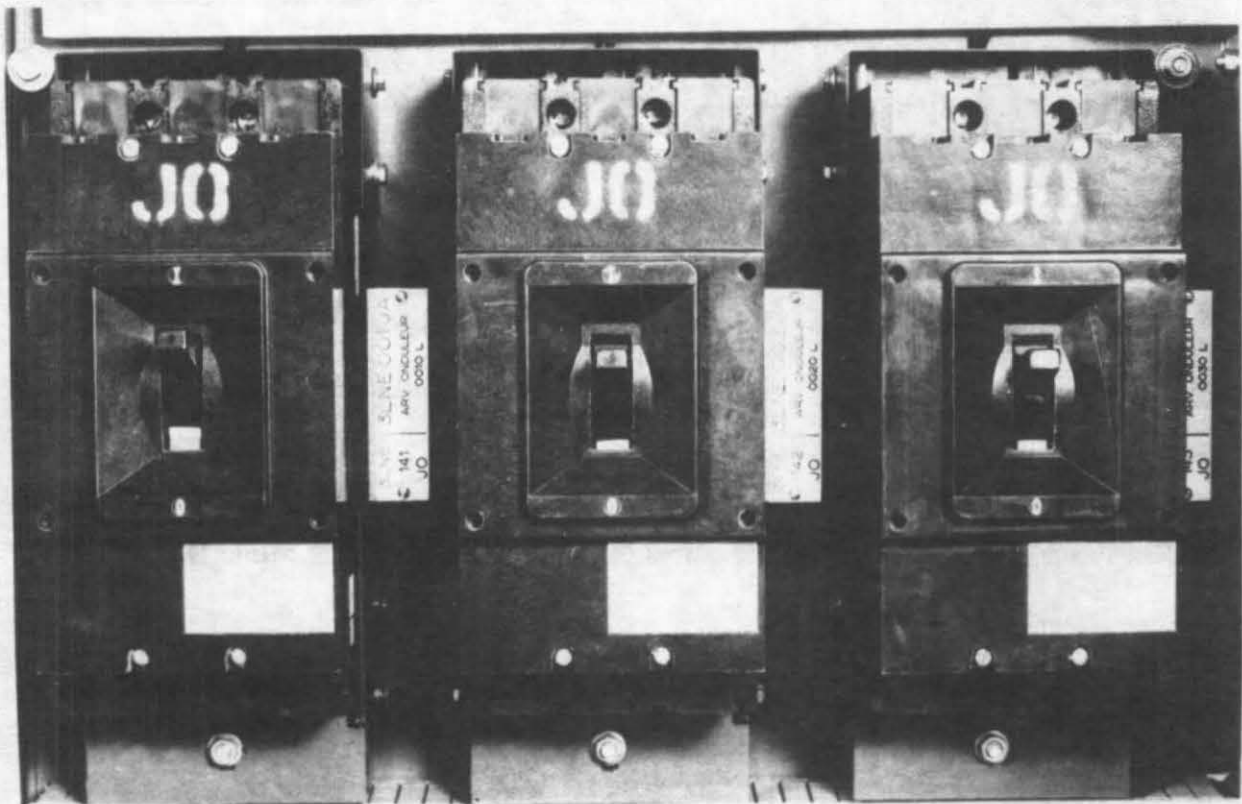
Each modular mount can receive three sets of switch equipment mounted side by side. On these mounts, are also mounted :

- the terminal boards for power and test cables
- the current transformers.

They are disassemblable from the front panel of the switchboard.

The figure below shows a mount equipped with its three switches plugged in and «made» (handle upward, red indicator lamp visible).

To trigger, bring the handle downward (green indicator lamp visible).



P4108A4 3061

Le present document est la propriété exclusive de "DELLE ALSTHOM". Remis à titre confidentiel, il ne peut être communiqué à des tiers, ni utilisé ou reproduit qu'en stricte conformité d'autorisations expressees préalables.

This document is the sole property of "DELLE ALSTHOM". It is submitted on a confidential basis and may not be passed on the third parties, used or reproduced except in exact accordance with prior express permission.

KBA1217 L00052

101/108

<input type="checkbox"/> Établissements de MACON <input checked="" type="checkbox"/> Établissements de CHALON <input type="checkbox"/> Établissements de MACON Souveraines	C 21.6.82	UP DATED		NUMÉRO NUMBER 212041/100
	ÉTABLI PAR PREPARED BY ETELEC	LE ON 07-79		VÉRIFIÉ PAR CHECKED BY

B

A

DIE 103

# MANIPULATION OF JO EQUIPMENT ( One inverter input )

7/10 -2

## POSITION PLUGGED IN

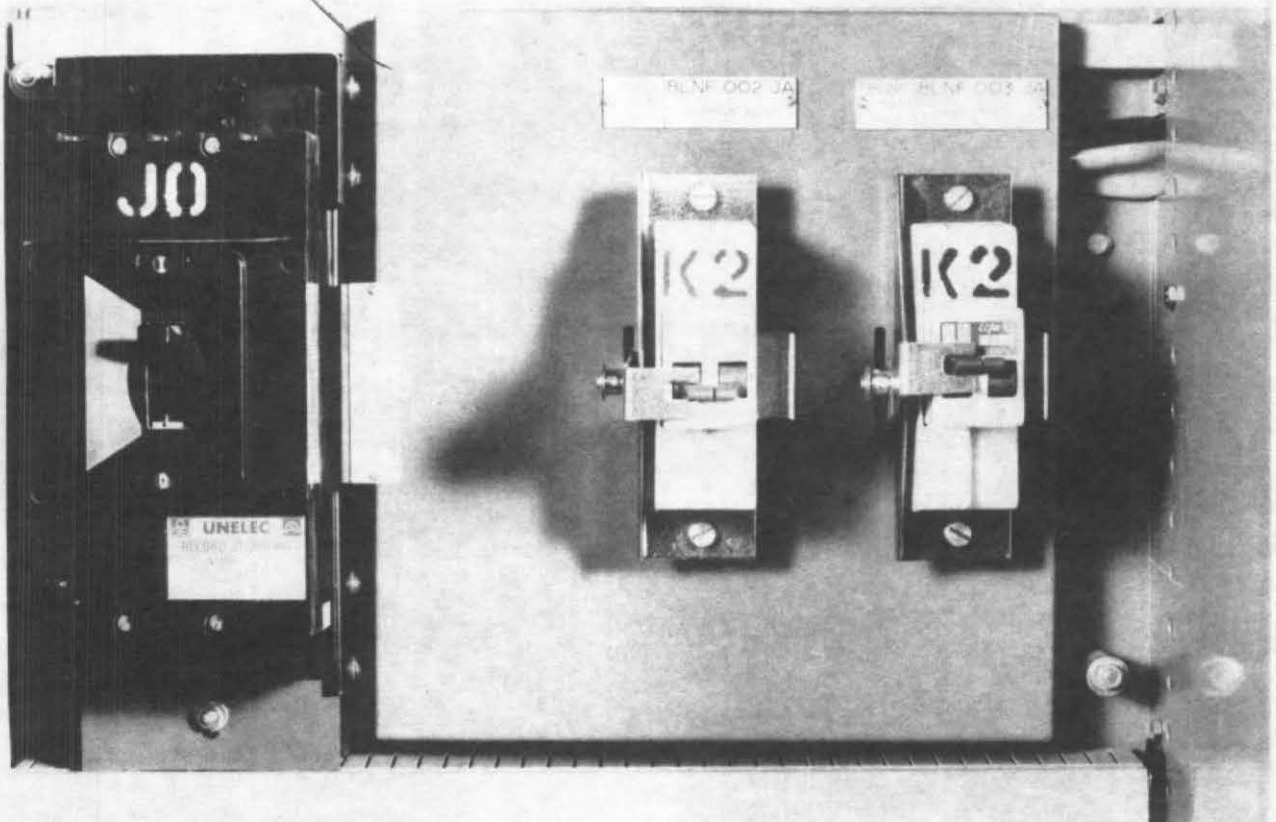
Each modular mount can receive one set of JO switch equipment and two sets of K circuit breaker equipment side by side.

On these mounts are also mounted :

- the terminal boards for the power and test cables
- the current transformer for the JO input.

They are disassemblable from the front panel of the switchboard.

The figure below shows a mount equipped with a JO inverter input and two K2 outputs.



Etudes Installations

Etablissements de MACON  
 Etablissements de CHALON  
 Etablissements de MACON Saugeraires

P4108 A4 3061

Le present document est la propriete exclusive de "DELLE ALSTHOM". Remis a titre confidentiel, il ne peut être communiqué a des tiers ni utilisé ou reproduit, qu'en stricte conformité d'autorisations expresses préalables.

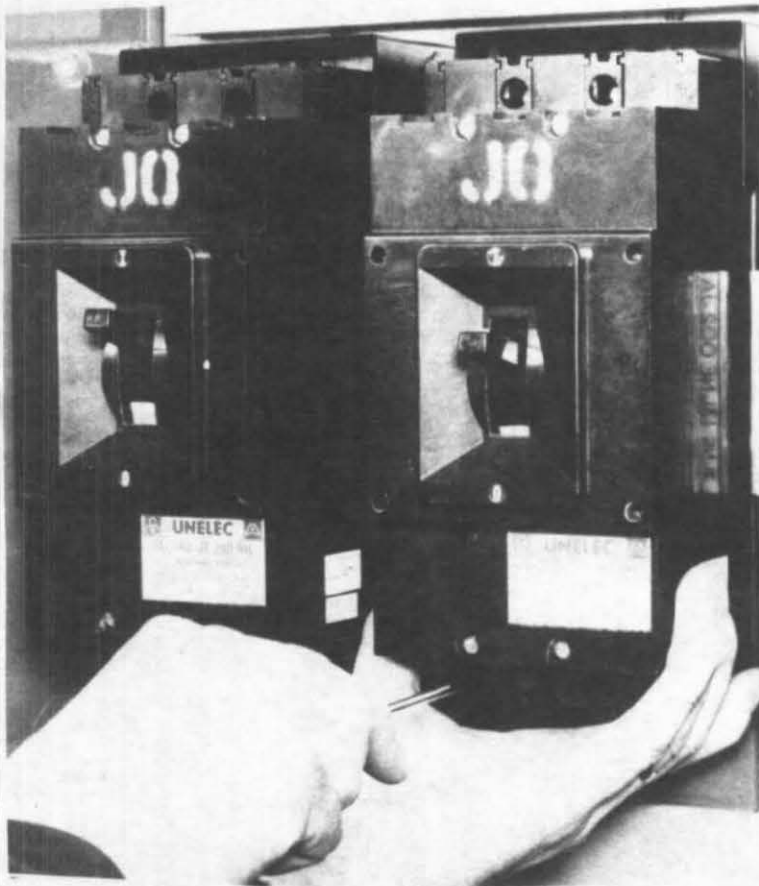
This document is the sole property of "DELLE ALSTHOM". It is submitted on a confidential basis and may not be passed on the third parties, used or reproduced except in exact accordance with prior express permission.

C	21.6.82	UPDATED	<b>DELLE ALSTHOM</b>	KBA 12 17 L00 052
Ø				102 / 108
ETABLI PAR PREPARED BY ETELEC		LE ON 07-79	VÉRIFIÉ PAR CHECKED BY	NUMÉRO NUMBER 212041/100

# MANIPULATING JO EQUIPMENT

7/10 - 3

## TO UNPLUG A UNIT



Remove the four screws (captive type) placed two at the top two at the bottom, then take out the unit by pulling toward yourself (fig. 1).

If a switch is on «make», a device makes it automatically trigger to avoid unplugging on load.

Fig. 2

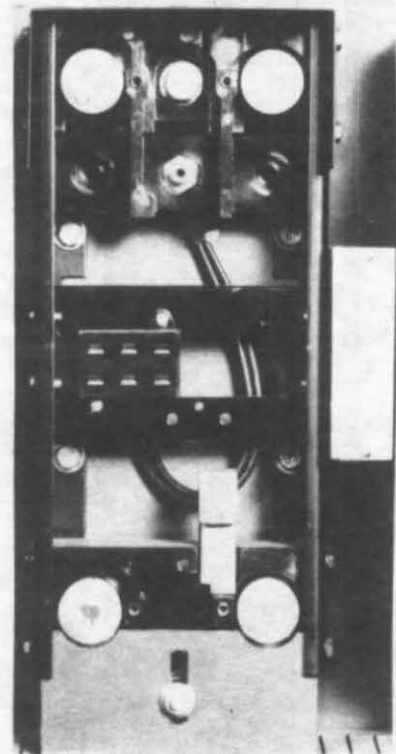


Fig. 1

## EQUIPMENT OUT OF SERVICE

When the switch is taken out, the insertion guide lug is sealed by nylon tubes which protect the plug-in guides (fig. 2)

PH108 A4 3061

Le présent document est la propriété exclusive de DELLE ALSTHOM. Remis à titre confidentiel, il ne peut être communiqué à des tiers ni utilisé ou reproduit qu'en stricte conformité d'autorisations expresses préalables.

This document is the sole property of DELLE ALSTHOM. It is submitted on a confidential basis and may not be passed on the third parties, used or reproduced except in exact accordance with prior express permission.

C 21.6.82

UP DATED

**DELLE ALSTHOM**

KBA 12, 17 L00 052

103/108

ETABLI PAR  
PREPARED BY ETELEC

LE  
ON 07 79

VERIFIE PAR  
CHECKED BY

NUMERO  
NUMBER 212041/100

B

A

DIE 103

Etudes Installations

1  
Etablissement de MACON  
Etablissr de CHALON  
Etablisssr de MACON Saugeratès



B

A

# MANIPULATING THE JO TYPE EQUIPMENT

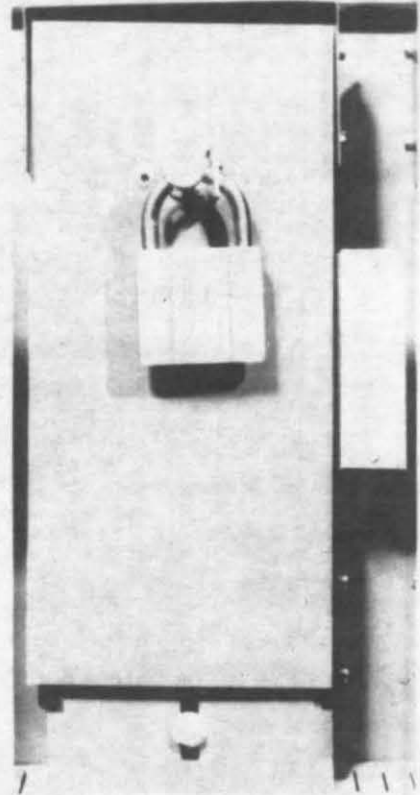
7/10 - 4

## CONSIGNMENT OF AN INPUT

PVC consignment plates are delivered separately with the switchboards.

On the input to be consigned, remove the switch moving part then screw the consignment plate into the threaded socket provided at the upper part in the access of the switchbase.

It is then possible to lock this plate with one, two or three padlocks as shown on the adjacent figure.



2

2

Etudes Installations

1

Etablissement de MACON  
Etabli de CHALON  
Etablis de MACON Sougeraines

PH108 A4 3061

Le present document est la propriete exclusive de "DELLE ALSTHOM". Remis a titre confidentiel, il ne peut être communiqué à des tiers, ni utilisé ou reproduit, qu'en stricte conformité d'autorisations expresses préalables.

This document is the sole property of "DELLE ALSTHOM". It is submitted on a confidential basis and may not be passed on the third parties, used or reproduced except in exact accordance with prior express permission.

C	21.6.82	UP DATED		KBA12 17 L00 OS2
Ø				104/108
ETABLI PAR PREPARED BY	ETELEC	LE ON	07-79	VÉRIFIÉ PAR CHECKED BY
			NUMÉRO NUMBER	212041/100

B

A

# MANIPULATION OF THE K1 TO K7 EQUIPMENT

7/11-1

## POSITION PLUGGED IN

Each modular mount can receive four sets of circuit breaker equipment mounted side by side.

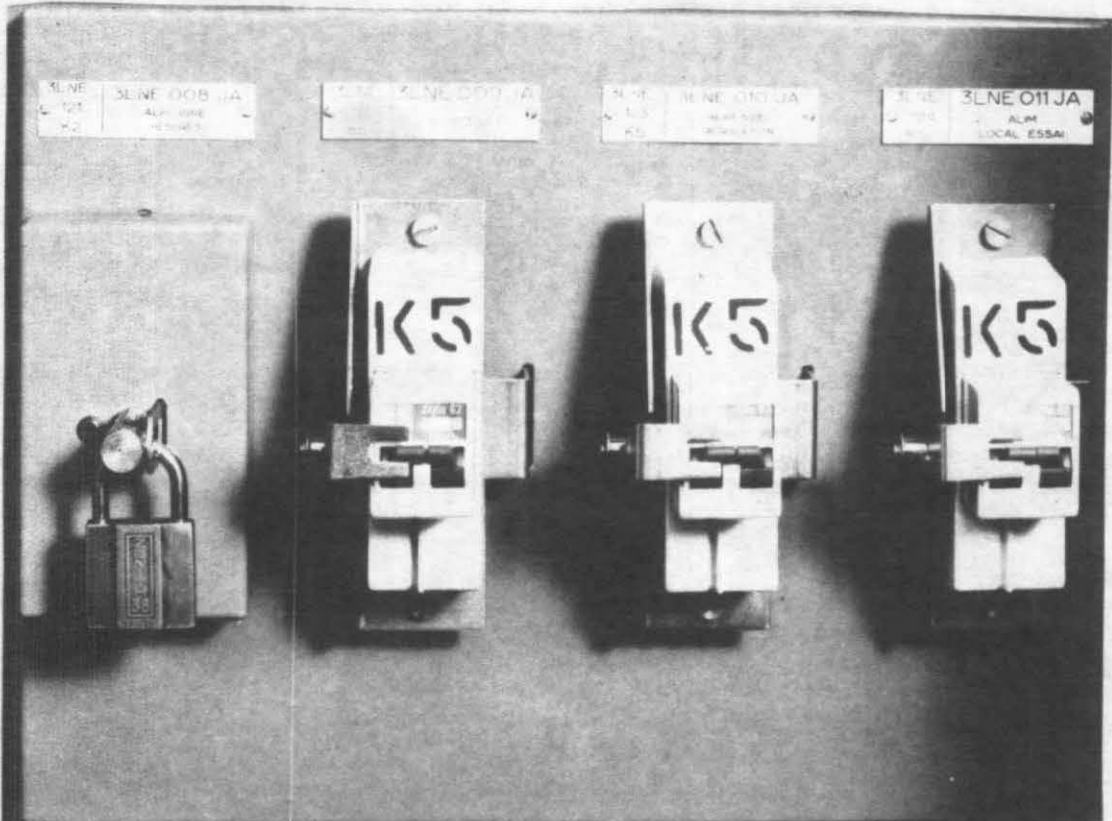
On these mounts, are also mounted :

- the connecting terminal boards for the power and test cables.

They are disassemblable from the front panel of the switchboard.

The figure below shows a mount equipped with three K5 circuit breakers, on «make», and a set of consigned and padlocked equipment (it is possible to padlock equipment (it is possible to padlock with 1, 2 or 3 padlocks).

To trigger, one has only to lower the lever.



P4108A4 3061

Le present document est la propriété exclusive de "DELLE ALSTHOM". Remis a titre confidentiel, il ne peut être communiqué a des tiers, ni utilisé ou reproduit, qu'en stricte conformité d'autorisations expressees prealables.

This document is the sole property of "DELLE ALSTHOM". It is submitted on a confidential basis and may not be passed on the third parties, used or reproduced except in exact accordance with prior express permission.

C	91.6.82	UP DATED	DELLE ALSTHOM	KBA 12 17 L00 052
B				105/108
ETABLI PAR PREPARED BY	ETELEC	LE ON 07-79	VÉRIFIÉ PAR CHECKED BY	NUMERO NUMBER 242041/100

Etudes Installations

Etablis de CHALON

Etablis de MAÇON Saugerolles

# MANIPULATION OF THE K 1 TO K7 EQUIPMENT

7/11\_2

## POSITION UNPLUGGED

To unplug a unit, loosen the two screws, (captive type) one at the top and one at the bottom, then take out the unit by pulling toward yourself.

To do this, it is necessary to trigger the circuit breaker (fig. 1 unit plugged in - fig. 2 unit unplugged - fig. 3 unit consigned).

Fig. 1

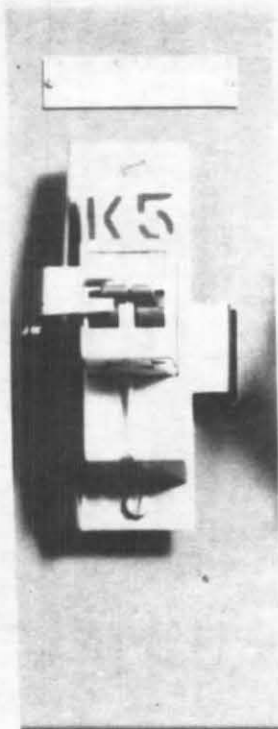


Fig. 2

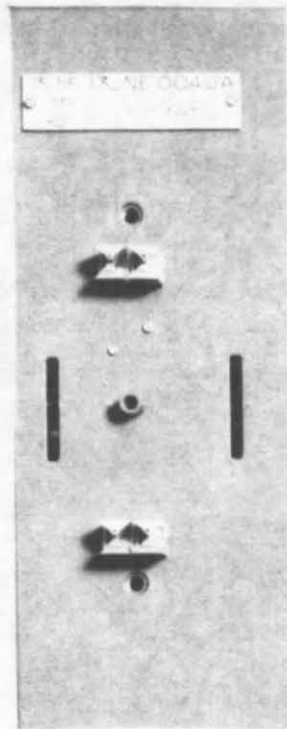
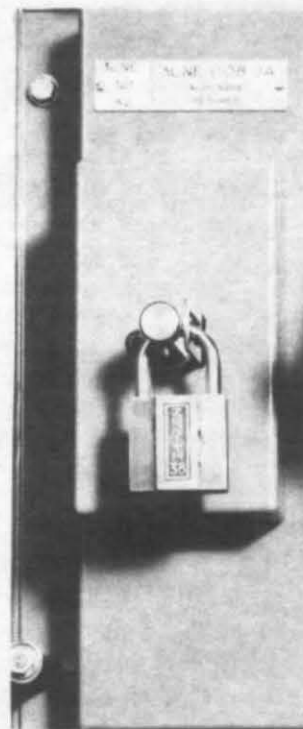


Fig. 3



P4108 A4 3064

Le présent document est la propriété exclusive de DELLE ALSTHOM. Remis à titre confidentiel, il ne peut être communiqué à des tiers, ni utilisé ou reproduit, qu'en stricte conformité d'autorisations expresses préalables.

This document is the sole property of DELLE ALSTHOM. It is submitted on a confidential basis and may not be passed on the third parties, used or reproduced except in exact accordance with prior express permission.

C	21.06.82	UPDATED	DELLE ALSTHOM	KBA 12 17 L00 052
ETABLI PAR PREPARED BY	ETELEC	LE ON	07-79	VÉRIFIÉ PAR CHECKED BY
			NUMÉRO NUMBER	212041/100
				106/108

B

A

O E 103

Etudes Installations  
 Erablissemnt de MACON  
 Erabis de CHALON  
 Erablis de MACON Sougeraires

B

A

# DELIVERY

7/12 -1

## DELIVERY

The N 486 cubicles which are used for composing the various switchboards are delivered individually in plastic packing.

The following come with them :

- the keys No. 7 32 441
- the HALFEN bolts
- 1 set of screw items
- 1 container of paint,

and possible also :

- 1 cart holding the location generator, the test set, two grippers, one flexible cord
- the output consignment units.

Etablissement MACON  
 Etudes Installations  
 Etabliss HALON  
 Etablisse le MACON Sougeraires

PH108 A4 3061

Le présent document est la propriété exclusive de "DELLE-ALSTHOM" Remis à titre confidentiel, il ne peut être communiqué à des tiers, ni utilisé ou reproduit, qu'en stricte conformité d'autorisations expresses préalables.

This document is the sole property of "DELLE-ALSTHOM" It is submitted on a confidential basis and may not be passed on the third parties, used or reproduced except in exact accordance with prior express permission.

C	21.6.82	UPDATED		KBA 12 17 00052
B				(107)/(108)
ÉTABLI PAR : ETELEC PREPARED BY :		LE : 07-79 ON :	VÉRIFIÉ PAR : CHECKED BY :	NUMÉRO : 212 041 / 100 NUMBER :

B

A

# MAINTENANCE

7/14 - 1

It is recommended that mechanical and electrical checking work be done based upon the operation and the environment. The actual maintenance especially concerns components which are to be checked for proper operation, cleanliness and the settings of the essential components.

Moreover :

- lubricate the parts of the various mechanisms which have metal to metal friction surfaces.

Lubrication must be preceded by as complete a cleaning as possible.

Mechanical lubrication recommended :

- MOBILGREASE, GRAPHITED No. 3 from MOBIL-OIL (FRANCE)
- clean the surfaces and the electrical contact lugs.

NOTE :

Since the busbars are tin plated aluminum, it is prohibited to strip the contact surfaces.

Etudes Installations

ON  
TRACON Saugerates  
Etablis  
Etablis

P4108 A4 3061

Le présent document est la propriété exclusive de "DELLE-ALSTHOM". Remis à titre confidentiel, il ne peut être communiqué à des tiers, ni utilisé ou reproduit, qu'en stricte conformité d'autorisations expresses préalables.

This document is the sole property of "DELLE-ALSTHOM". It is submitted on a confidential basis and may not be passed on the third parties, used or reproduced except in exact accordance with prior express permission.

C	21.6.82	UP DATED	DELLE ALSTHOM	KBA 1217 L00 052
B				(108) / (108)
ÉTABLI PAR : PREPARED BY :	ETELEC	LE : ON :	07-79	VÉRIFIÉ PAR : CHECKED BY :
				NUMÉRO NUMBER : 212041/100

B

A